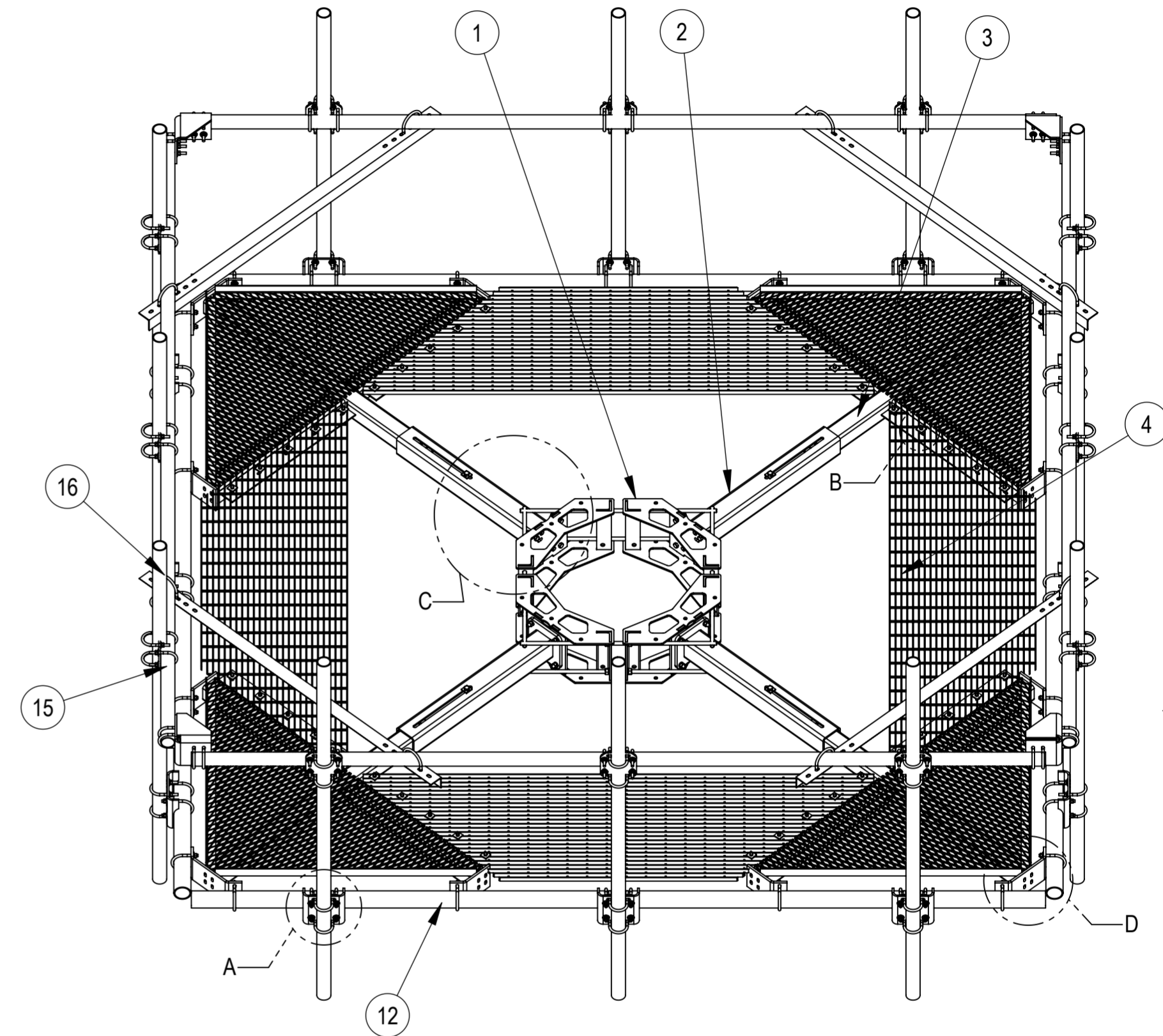
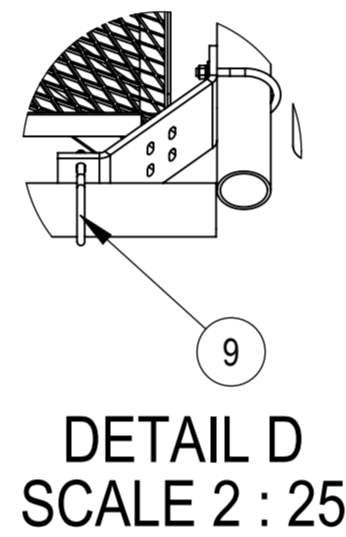
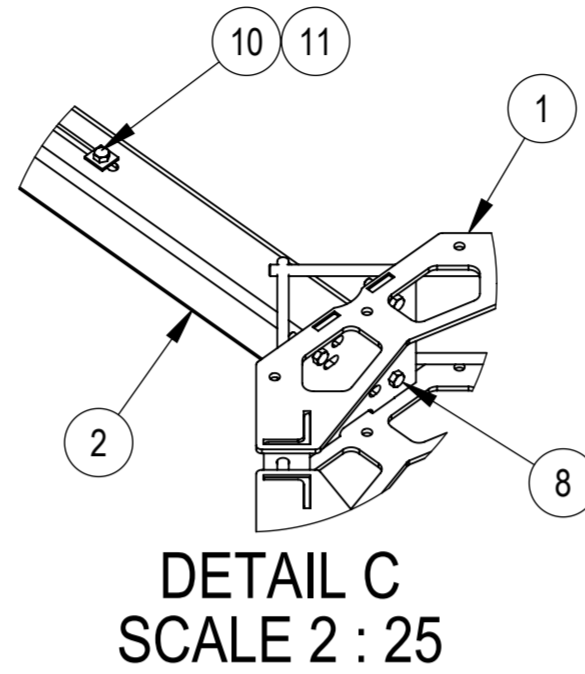
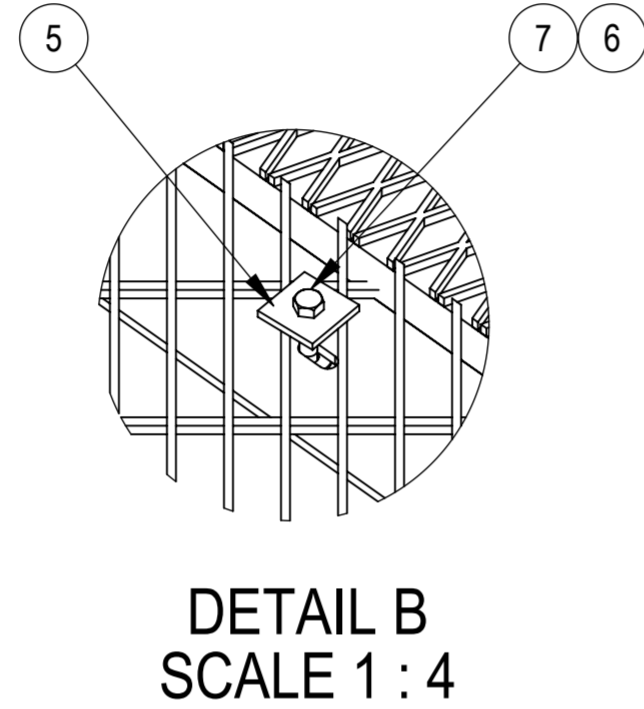
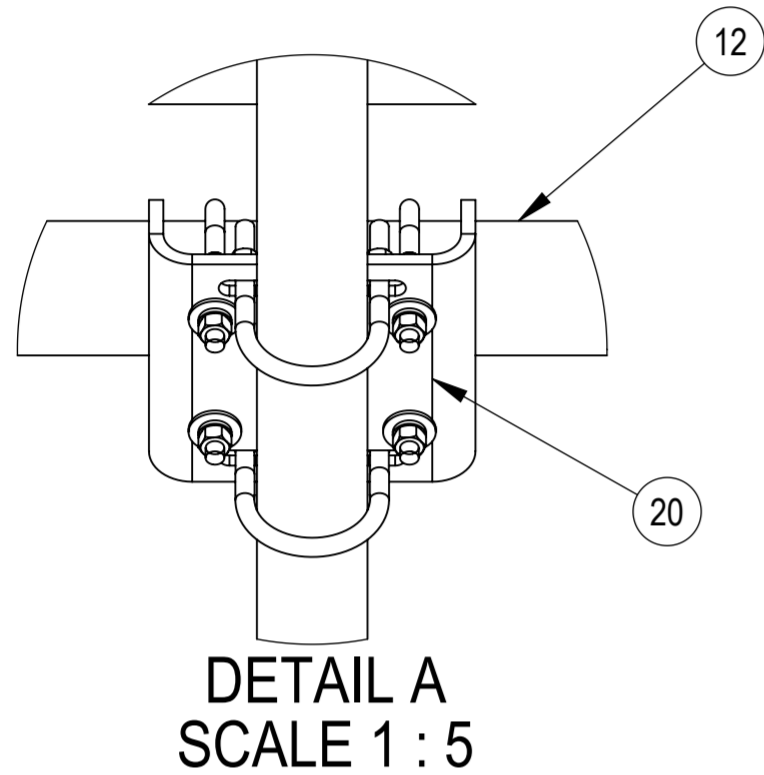


- 1.0 GENERAL NOTES
 1.1 ALL IMPERIAL DIMENSIONS ARE IN BRACKETS [X.XX]
 1.2 FOR PATENT INFO: <https://www.cs-pat.com>
 2.0 DESIGN NOTES
 3.0 MANUFACTURING/SPECIAL REQUIREMENTS
 3.1 TIGHTEN ALL BOLTS SECURING FLAT PLATES BY THE TURN-OF-NUT METHOD. TIGHTEN ALL U-BOLTS USING TURN-OF-NUT METHOD WITH ATTENTION TO LEAVE EQUAL DISTANCE AND EQUAL FORCE ON EACH LEG OF THE U-BOLT.
 4.0 TEST
 5.0 PACKAGING
 5.1 PACKAGING SHALL MEET COMMSCOPE REQUIRMENTS PER DOCUMENT IS-PL-3005
 5.2 PRINTED DOCUMENT TO BE PLACED INSIDE POLYBAG AND THEN IN SHIPPING CONTAINER
 5.3 EXTRA HARDWARE MAYBE SUPPLIED, BAGGED AND SHIPPED.

REVISIONS			
REV.	DESCRIPTION	DATE	APPROVED
A	INITIAL RELEASE	LS1146 04NOV22	XK1001 40156793CMO

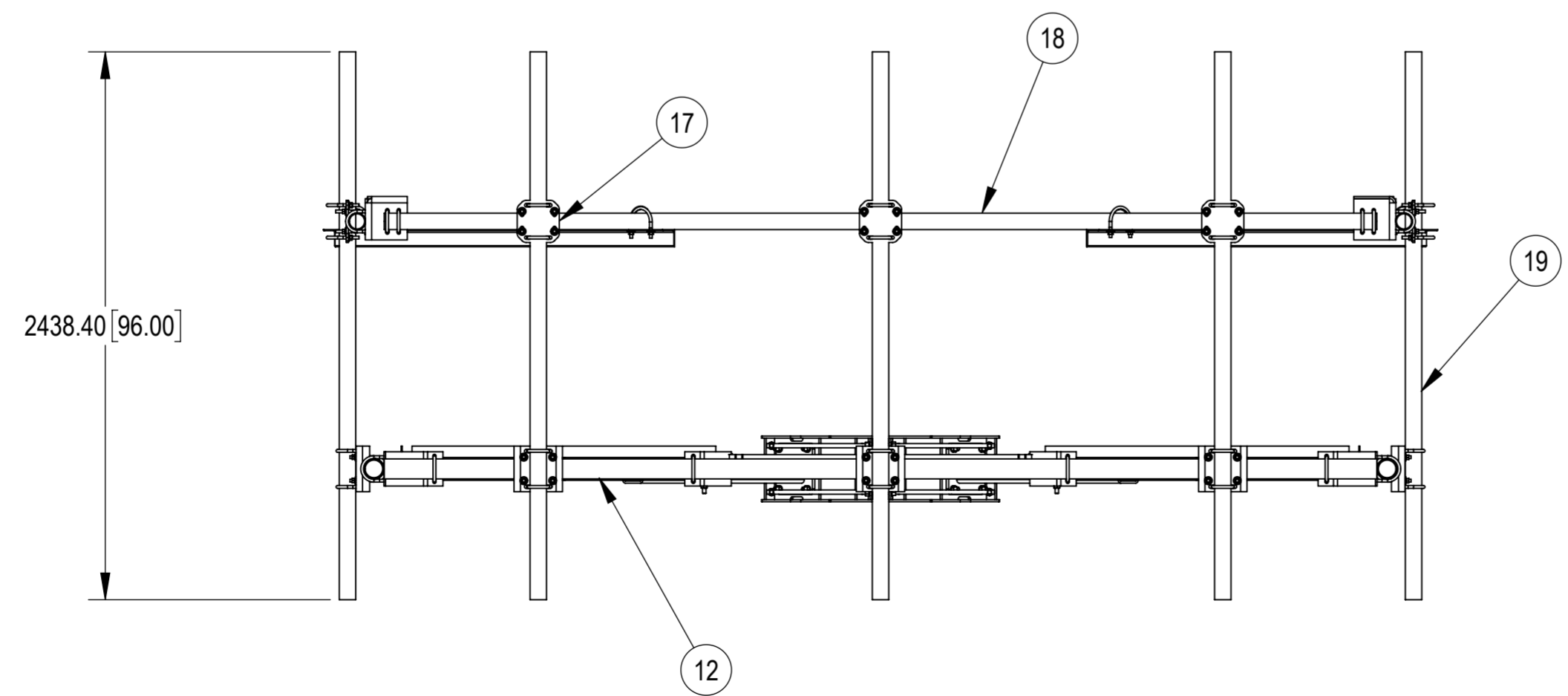
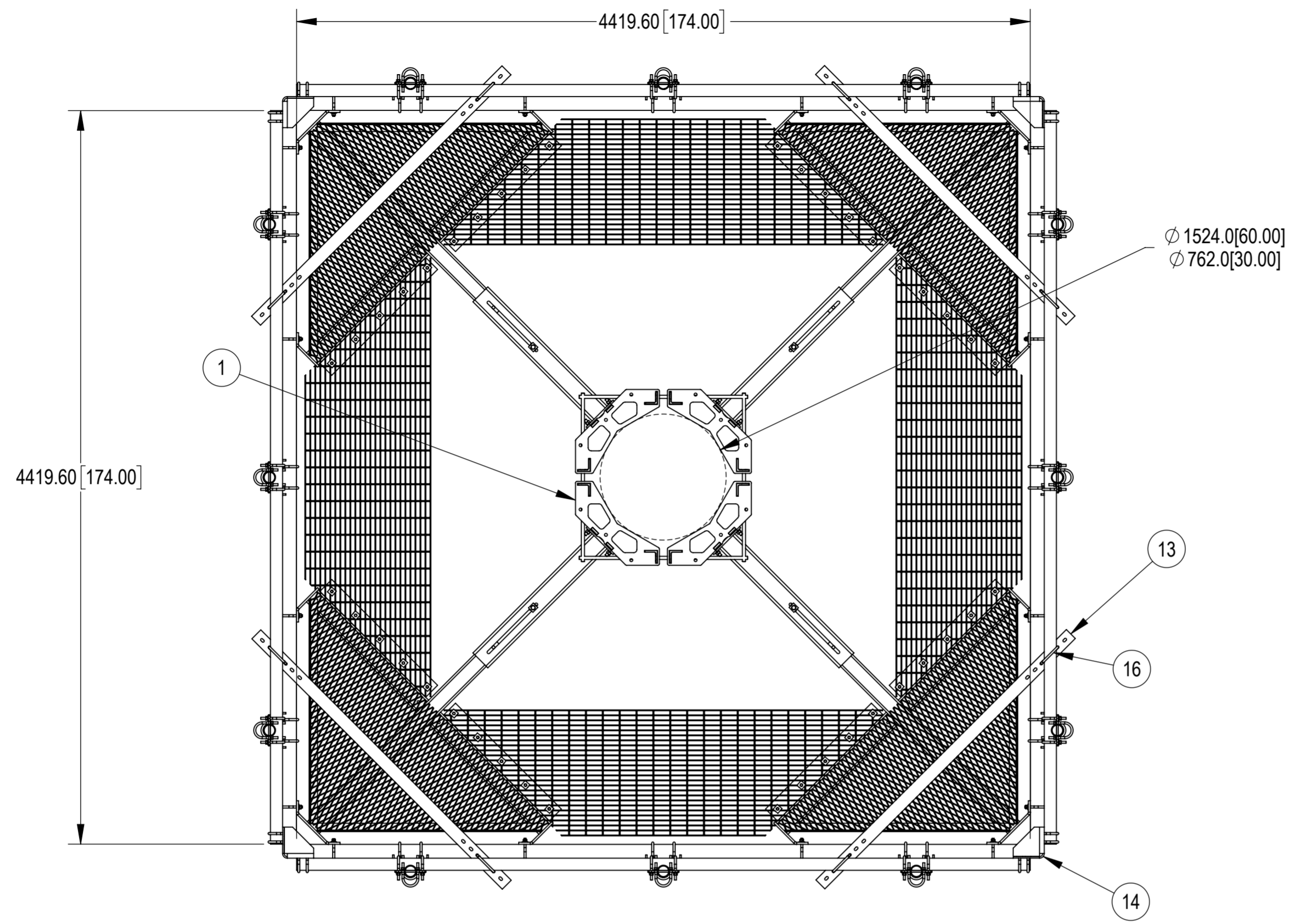


COMPONENT PART NUMBERS PROVIDED FOR ASSEMBLY PURPOSES;
 INDIVIDUAL COMPONENTS MAY BE SHIPPED AS PARTS WITHIN AN INCLUDED KIT.

ITEM	PART NO.	DESCRIPTION	QTY.	WEIGHT	NOTE
1	MC-RM3060-4	FOUR SECTOR RING MOUNT, 30-60 OD	1	252.82 LBS	
2	MTC820221	4 SECTOR PLATFORM SLIDER TUBE, 14' FACE	4	83.72 LBS	
3	MTC820121	PLATFORM WELDMENT	4	253.00 LBS	
4	MTC820223	GRATING CORNER FILLER	4	116.68 LBS	
5	MT-387	SQUARE WASHER, 1-1/2" X 1-1/2" W/ 7/16" HOLE	40	49.25 LBS	
6	GW-03	3/8" GALV FLAT WASHER	40	0.01 LBS	
7	GB-03225	3/8" X 2-1/4" GALV BOLT KIT	40	0.09 LBS	
8	GB-0524A	5/8" X 2-1/2" GALV BOLT KIT (A325)	16	0.30 LBS	
9	GUB-4355	1/2" X 3-5/8" X 5" GALV U-BOLT	16	0.71 LBS	
10	MT389	SQUARE WASHER, 1-1/2" X 1-5/8" W/ 11/16" HOLE	8	49.97 LBS	
11	GB-0570A	5/8" X 7" GALV BOLT KIT A325	4	0.69 LBS	
12	MT-547-174	3 1/2" O.D. X 14'-6" GALV. PIPE	4	109.73 LBS	
13	MTC343205-00	HANDRAIL SUPPORT ANGLE	4	25.29 LBS	
14	MTC343204-00	CORNER BRACKET	4	13.92 LBS	
15	GUB-4352	1/2" X 3" X 5-1/4" GALV U-BOLT	16	0.71 LBS	
16	GUB-4435	1/2" X 4-3/8" X 5" GALV U-BOLT KIT *	8	0.73 LBS	
17	XP-2525	CROSSOVER PLATE KIT, 2-7/8 OD X 2-7/8 OD	12	8.37 LBS	
18	MT546174120	2.88" OD X 174" LONG PIPE	4	51.38 LBS	
19	MT54696	PIPE, 2.875"OD X 96"	12	45.96 LBS	
20	MT-219M-H	3.5" OD X 2-7/8" OD CLAMP BRACKET ASSY	12	12.80 LBS	

COMMSCOPE, INC. OF NORTH CAROLINA

TOLERANCES		SAP MATERIAL MASTER	
0 PLACE	X[.X] ± 6[0.25]	2 PLACE	.XX[.XXX] ± 1.50[0.06]
1 PLACE	.X[.XX] ± 3.0[0.12]	ANGLES	± 2°
FINISH		MATERIAL	
		MCHD-PK14L4-12-96	
<small>UNLESS OTHERWISE SPECIFIED DIMENSIONS ARE IN MILLIMETERS INTERPRET PER ANSI Y 14.5M-1994</small>		NAME	DATE
		CE LS1146	11/2/2022
		RW LS1146	11/30/2022
		AD XK1001	11/30/2022
RE LS1146	11/30/2022	TITLE	
ECN 40156793CMO		MP,MC-PKHD,30-60" DIA,14 FT,HR,14 AP	
SCALE		DOCUMENT NO.	
1:25		MCHD-PK14L4-12-96	
SIZE	Auth Group	INSL	MODEL
A2			
VERSION	STATUS	REVISION	VERSION
00	RE	A	00
DRAWING		REVISION	
STATUS	REVISION	STATUS	REVISION
RE	A	RE	A
SHEET			
1 OF 2			



COMMSCOPE, INC. OF NORTH CAROLINA				
TITLE				
MP,MC-PKHD,30-60" DIA,14 FT,HR,14 AP				
SIZE	SCALE	DOCUMENT NO.		
A2	1:25	MCHD-PK14L4-12-96		
DRAWING				SHEET
VERSION	STATUS	REVISION	2 OF 2	
00	RE	A		

© 2022 CommScope, Inc. Confidential