

4

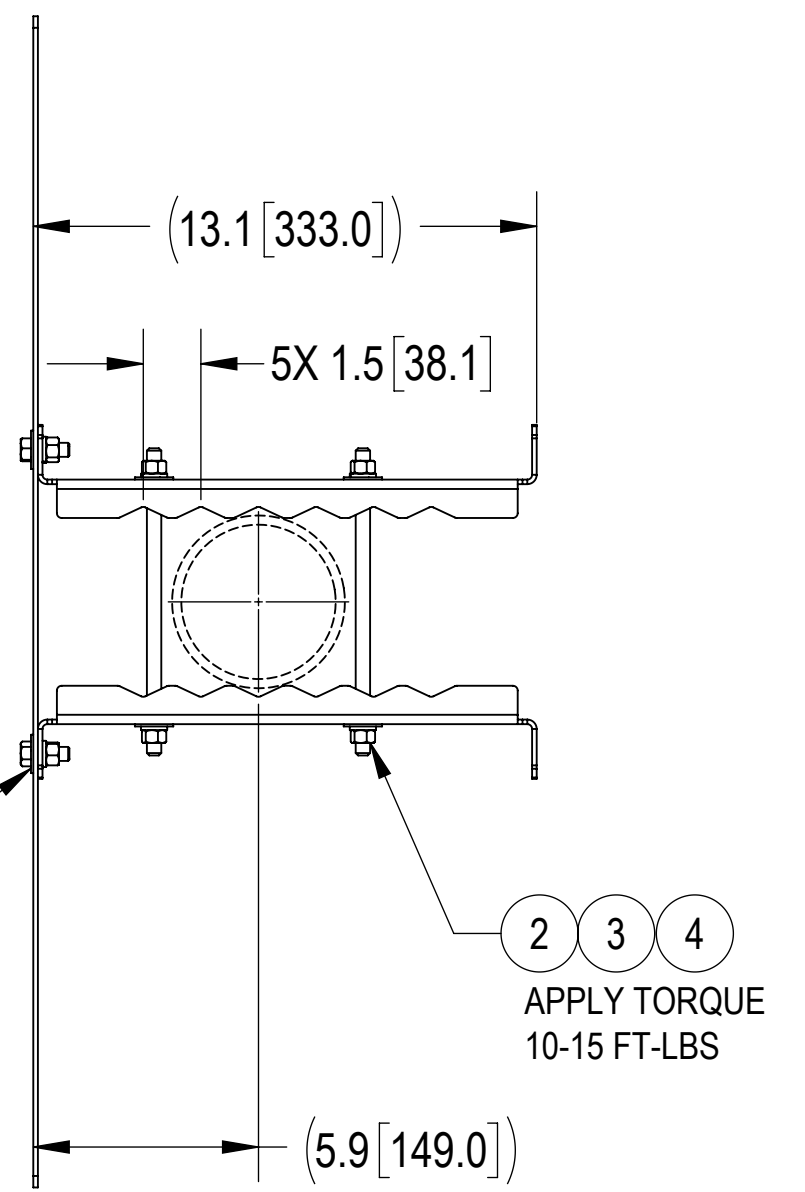
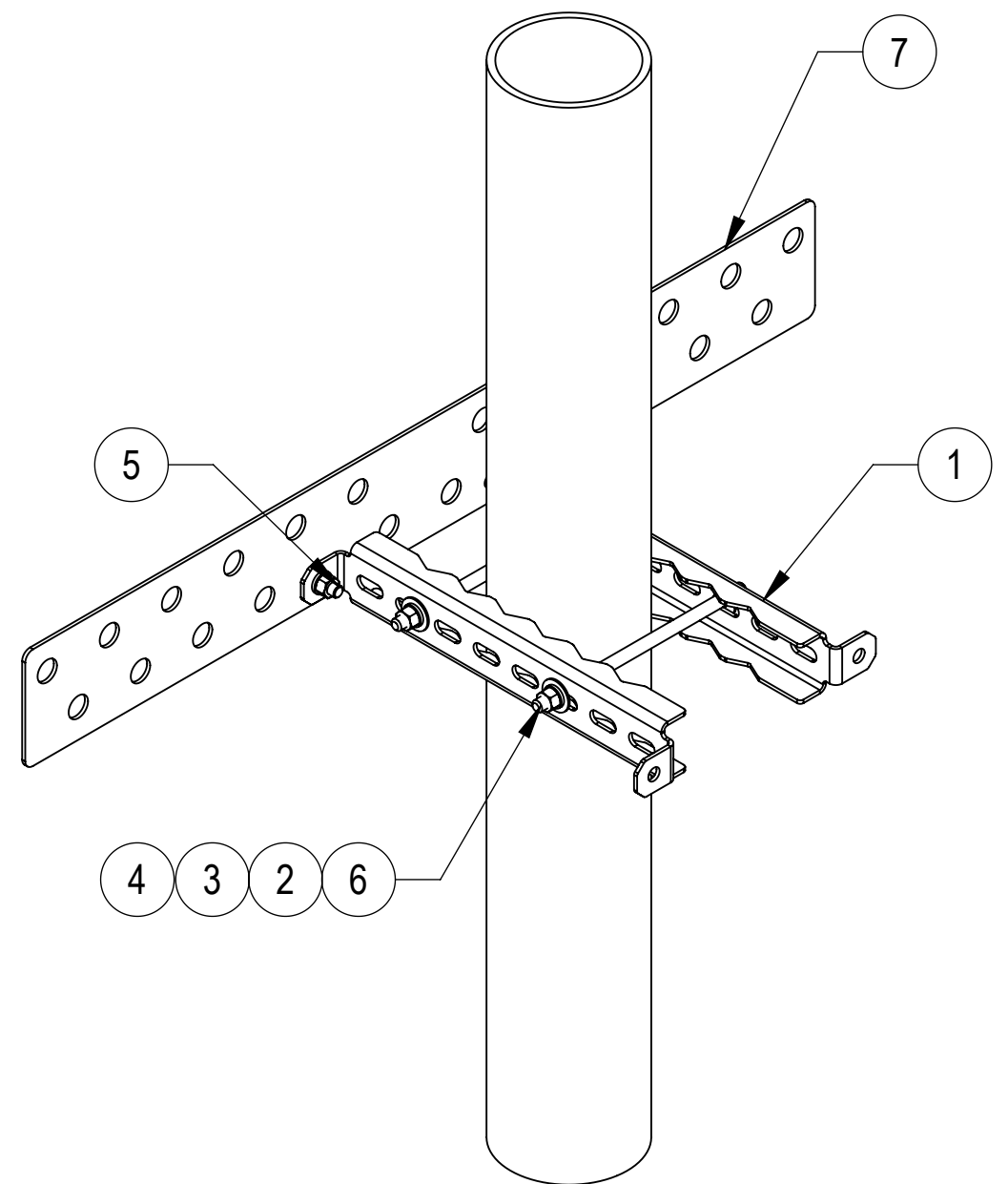
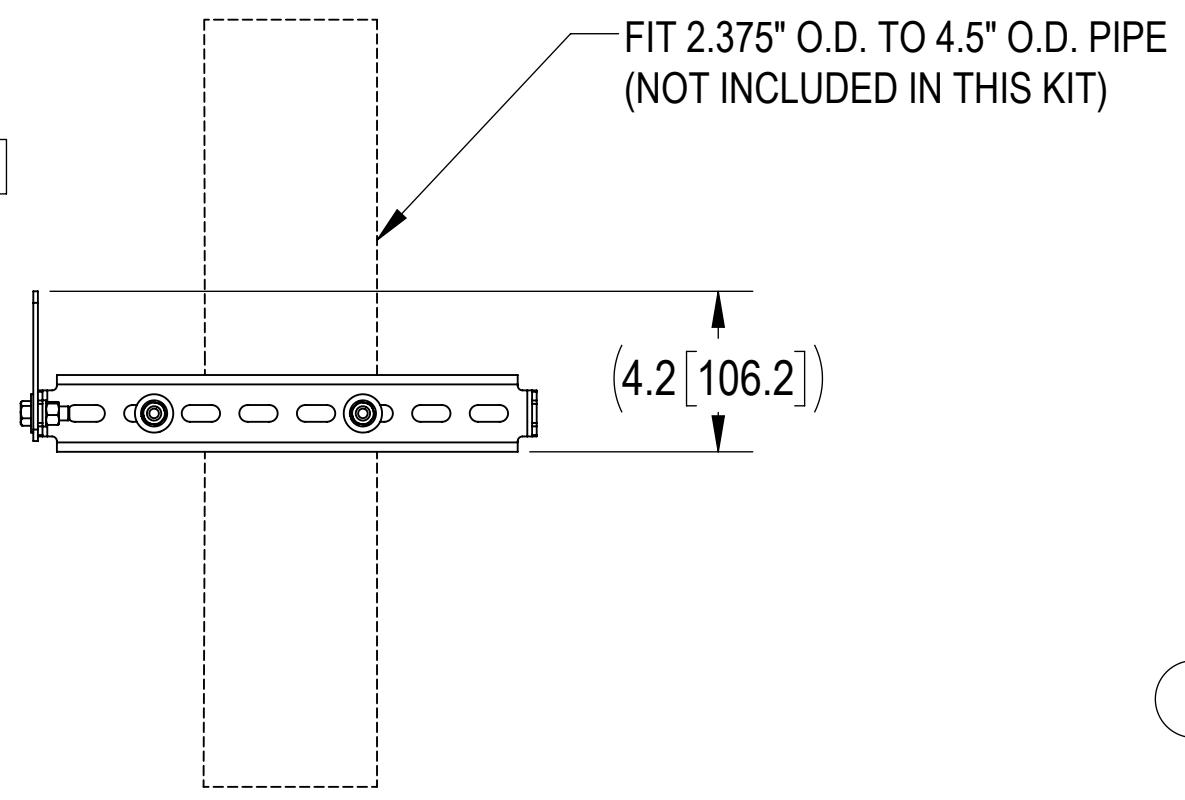
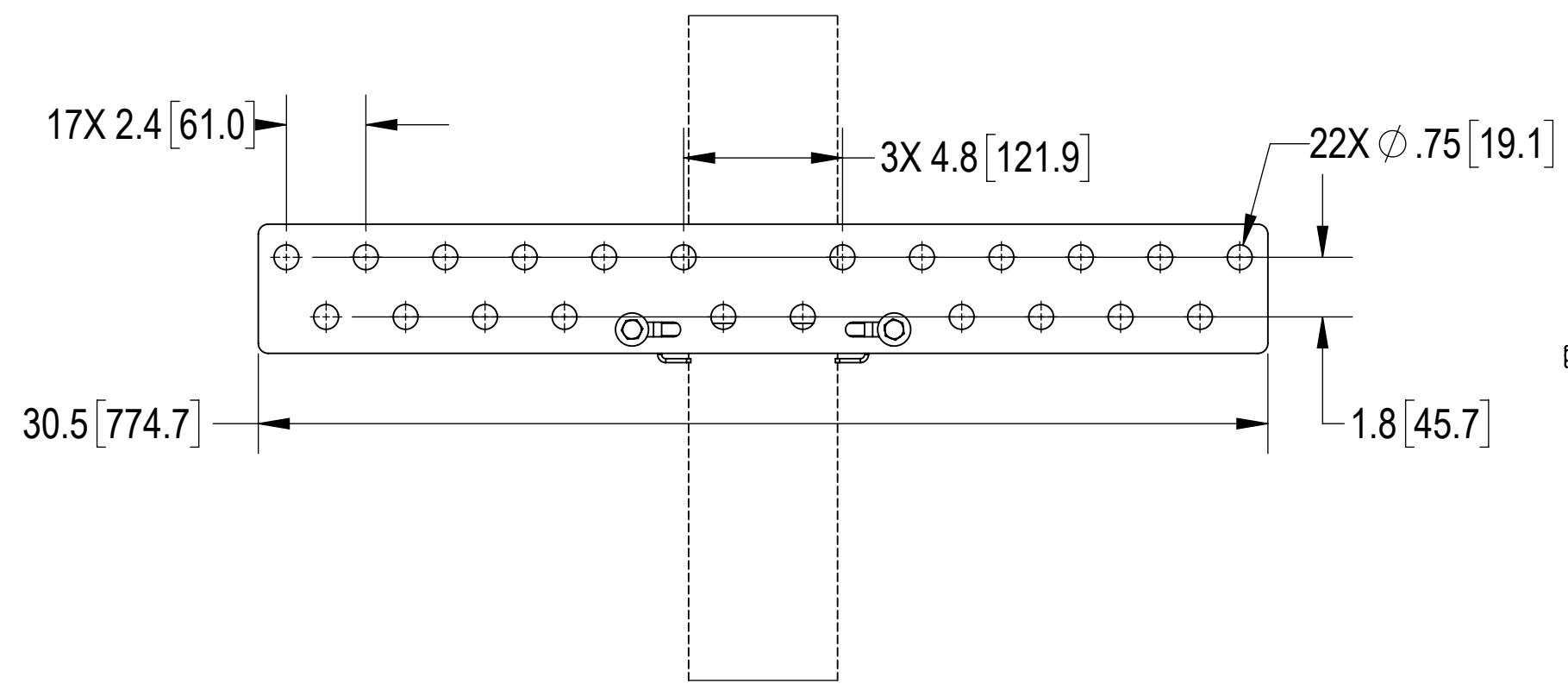
3

2

1

- 1.0 GENERAL NOTES
 - 1.1 ALL METRIC DIMENSIONS ARE IN BRACKETS [X.X]
 - 1.2 FOR PATENT INFO: <https://www.cs-pat.com>
- 2.0 DESIGN NOTES
- 3.0 MANUFACTURING/SPECIAL REQUIREMENTS
 - 3.1 TIGHTEN ALL BOLTS SECURING FLAT PLATES BY THE TURN-OF-NUT METHOD.
- 4.0 TEST
- 5.0 PACKAGING
 - 5.1 PACKAGING SHALL MEET COMMSCOPE REQUIREMENTS PER DOCUMENT IS-PL-3005
 - 5.2 PRINTED DOCUMENT TO BE PLACED INSIDE POLYBAG AND THEN IN SHIPPING CONTAINER
 - 5.3 EXTRA HARDWARE MAYBE SUPPLIED, BAGGED AND SHIPPED

REVISIONS			
REV.	DESCRIPTION	DATE	DATE
A	INITIAL RELEASE	LS1146 30NOV23	XK1001 40183317CMO



5 4
APPLY TORQUE
15-23 FT-LBS

2 3 4
APPLY TORQUE
10-15 FT-LBS

COMPONENT PART NUMBERS PROVIDED FOR ASSEMBLY PURPOSES;
INDIVIDUAL COMPONENTS MAY BE SHIPPED AS PARTS WITHIN AN INCLUDED KIT.

ITEM NO.	PART NUMBER	DESCRIPTION	QTY.	WEIGHT	NOTE NO.
1	PGCS-CLAMP-00	CLAMP, CABLE SUPPORT, 6 NOTCHES	2	1.40 LBS	
2	GN-03	3/8" GALV HEX NUT	4	0.02 LBS	
3	GWL-03	3/8" GALV LOCK WASHER	4	0.01 LBS	
4	GWV-03	3/8" GALV FLAT WASHER	6	0.01 LBS	
5	GB-03105	3/8" X 1" GALV BOLT KIT	2	0.05 LBS	
6	GD03800	3/8" X 8" GALV THREADED ROD	2	0.25 LBS	
7	PGCS22-1000-00	PLATE, 22 HOLE, 30.5" X 3.9" X .12", GALV	1	3.68 LBS	

DENSITY		lbs/in ³
MASS	40.17	lbs
VOLUME	141.40	in ³
SURFACE AREA	1427.84	in ²
HEIGHT	1.50"	
LENGTH	12.0"	
WIDTH	5.5"	

© 2023 CommScope, Inc.

COMMSCOPE, INC. OF NORTH CAROLINA			
TOLERANCES		SAP MATERIAL MASTER	
1 PLACE .X[X] ± 0.2[6.3]	3 PLACE .XXX[X] ± 0.060[1.5]	PG-CS22	
2 PLACE .XX[X] ± 0.12[3.0]	ANGLES ± 2°	FINISH	
FINISH		MATERIAL	
UNLESS OTHERWISE SPECIFIED DIMENSIONS ARE IN INCHES INTERPRET PER ANSI Y 14.5M-1994	NAME	DATE	TITLE
	CE LS1146	11/30/2023	PIM GUARD CABLE SUPPORT KIT, 22 HOLE
	RW YMENG	12/29/2023	
	AD XK1001	01/05/2024	
	RE YMENG	01/05/2024	
ECN 40183317CMO			
SCALE	DOCUMENT NO.	PG-CS22	
1:5			
SIZE	Auth Group	INSL	MODEL
C			VERSION
			STATUS
			REVISION
			VERSION
			STATUS
			REVISION
			DRAWING
			VERSION
			STATUS
			REVISION
			SHEET
			1 OF 2

4

3

2

1

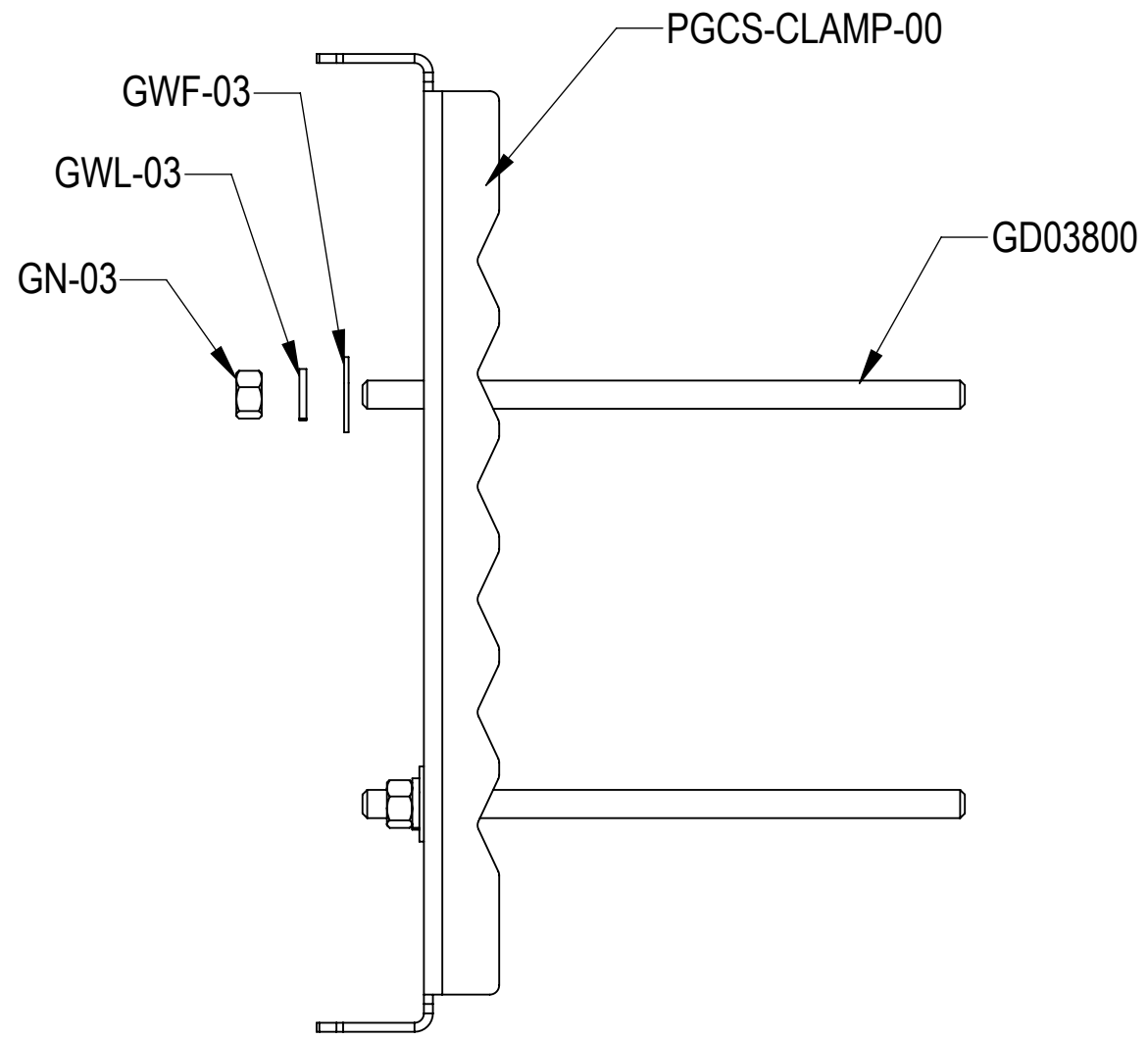
4

3

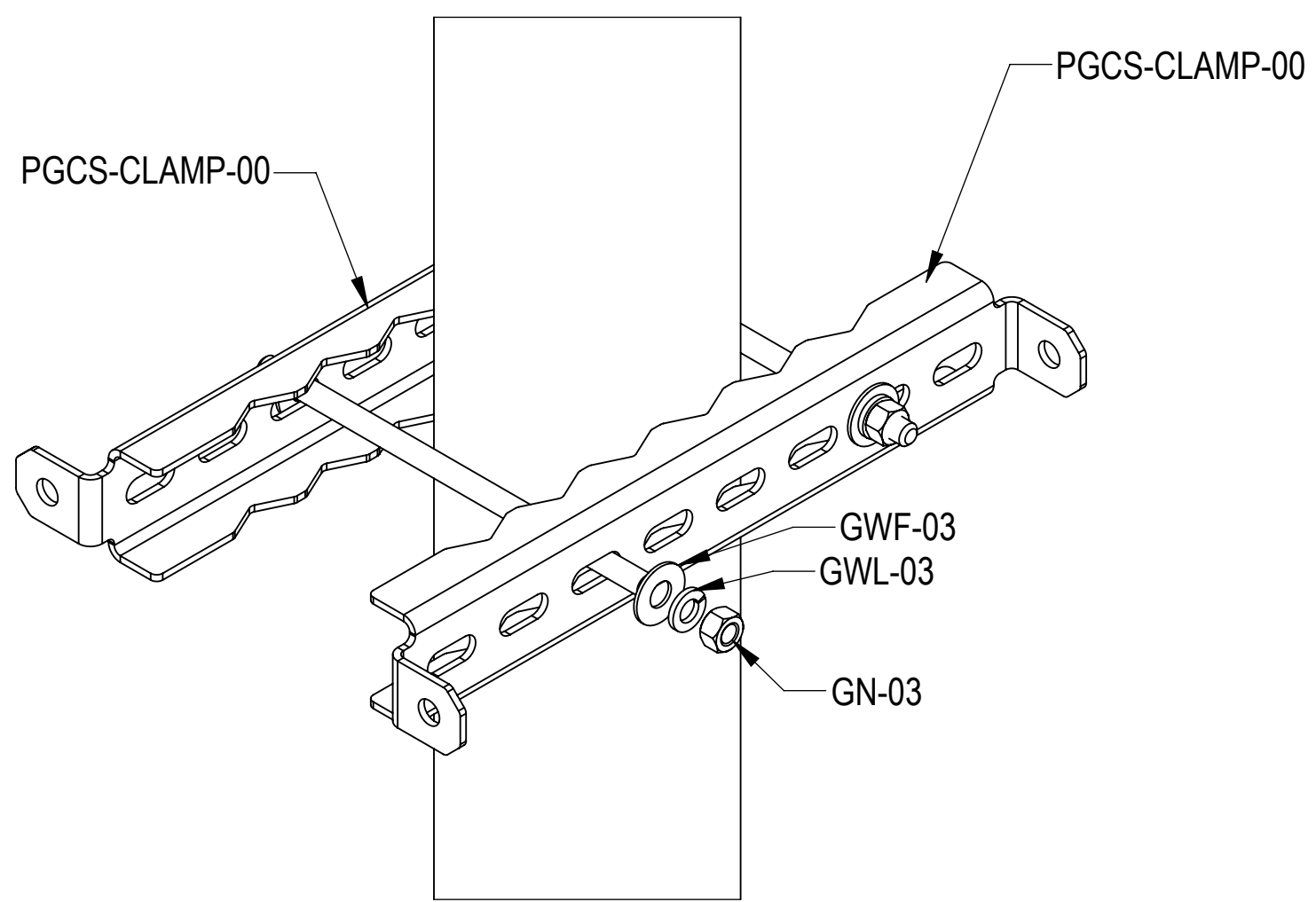
2

1

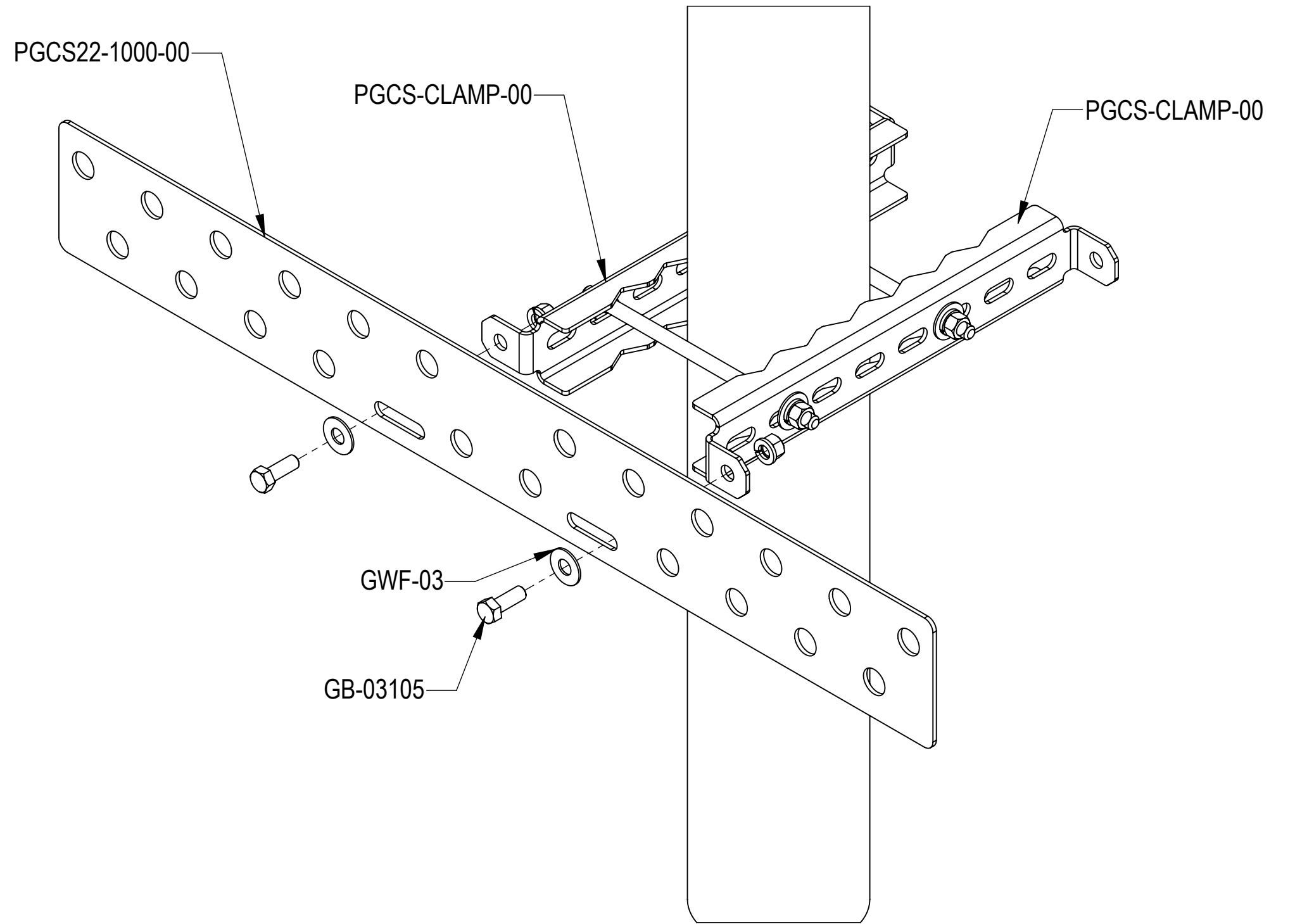
STEP 1: ATTACH THREADED RODS(GD03800) TO THE CLAMP(PGCS-CLAMP-00).
(TORQUE 10-15 FT-LBS)



STEP 2: ATTACH A PAIR OF CLAMP(PGCS-CLAMP-00) TO POLE.(TORQUE 10-15 FT-LBS)



STEP 3: ATTACH PIM GUARD PLATE(PGCS22-1000-00) TO CLAMP(PGCS-CLAMP-00).
(TORQUE 15-23 FT-LBS)



COMMSCOPE, INC. OF NORTH CAROLINA				
TITLE PIM GUARD CABLE SUPPORT KIT, 22 HOLE				
SIZE C	SCALE 1:5	DOCUMENT NO. PG-CS22		
		DRAWING		SHEET
		VERSION	STATUS	REVISION
		00	RE	A
				2 OF 2

© 2023 CommScope, Inc.

4

3

2

1