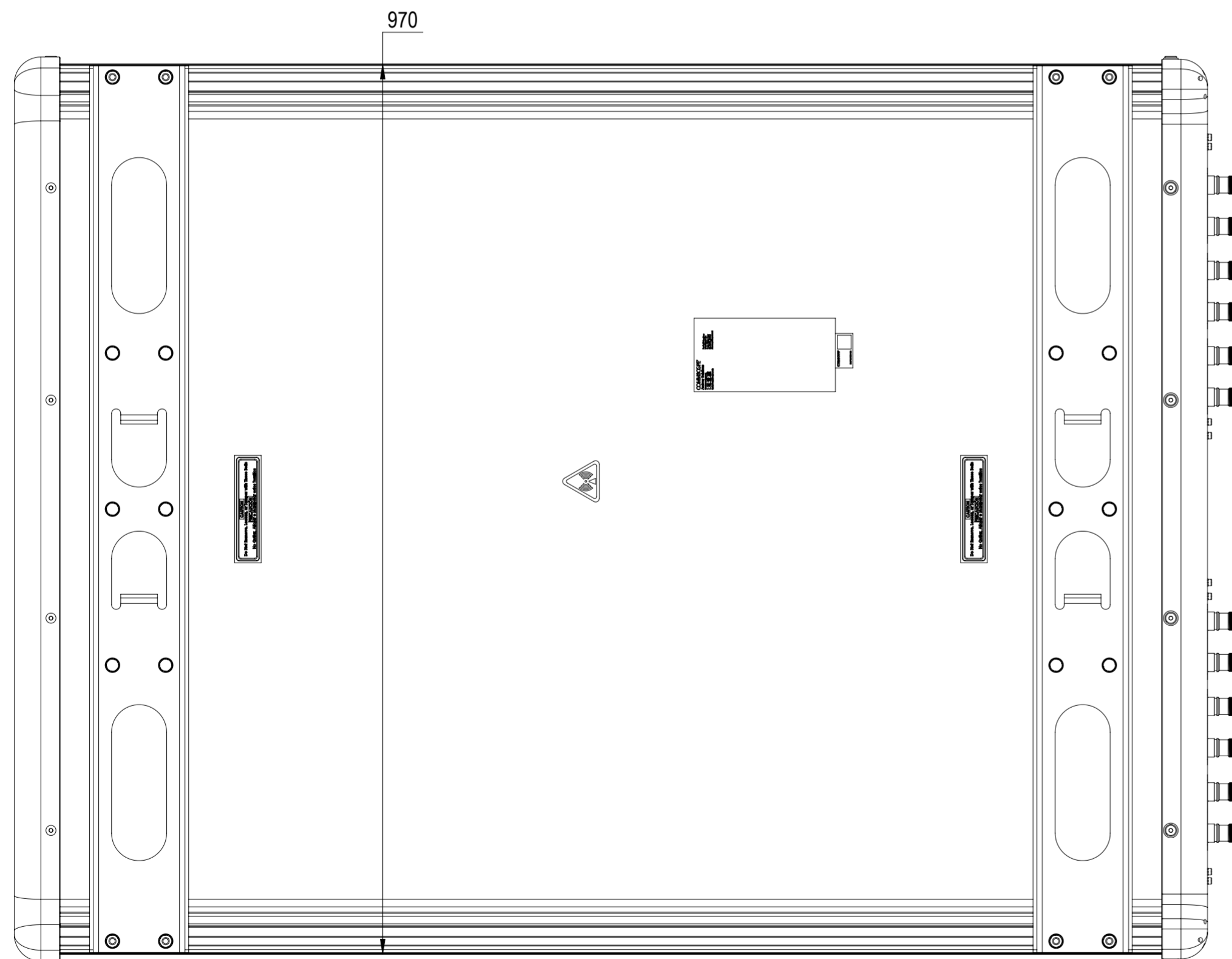
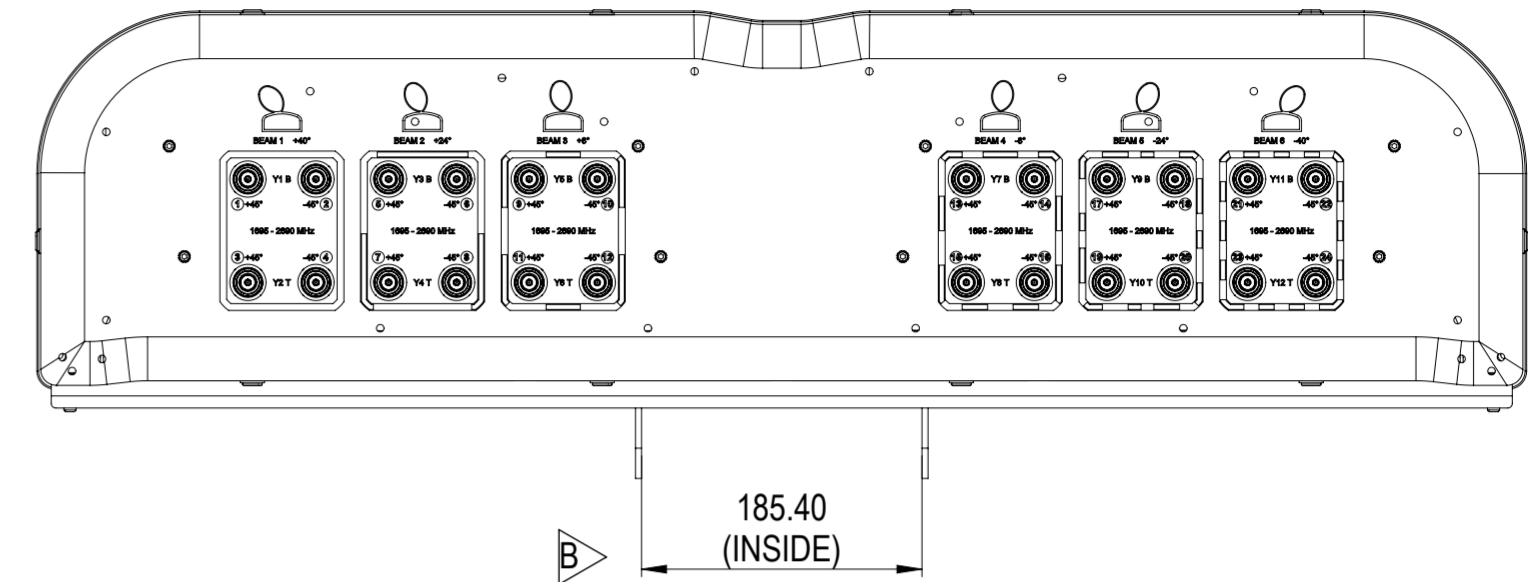
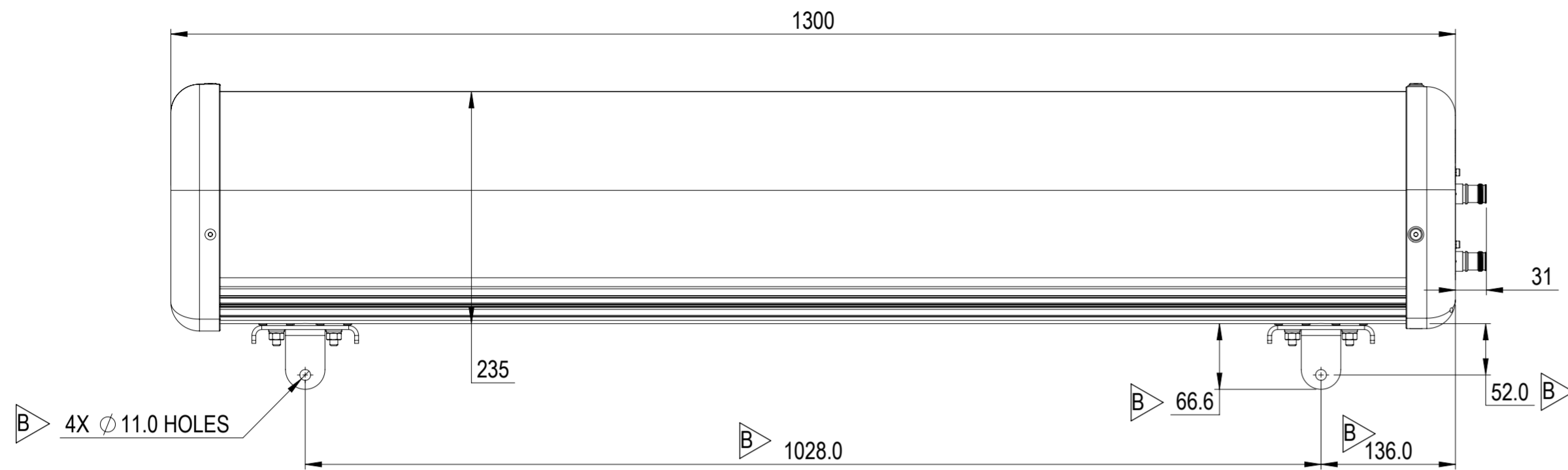


REVISIONS			
REV.	DESCRIPTION	DATE	APPROVED
A	ECR 40164002CMO: RELEASE TO PRODUCTION PER EAO 611745.	13JAN23 PBS	NJ/SD
B	ECR 40183107CMO: DIM & DRAWING VIEWS UPDATED.	10JAN24 PBS	NJ/AR



▶ 6VV-10A-F6

DENSITY	g/mm ³
MASS	grams
VOLUME	mm ³
SURFACE AREA	mm ²
HEIGHT	
LENGTH	
WIDTH	

COMMSCOPE, INC. OF NORTH CAROLINA

TOLERANCES		SAP MATERIAL MASTER	
0 PLACE X ±	2 PLACE .XX ±		
1 PLACE .X ±	ANGLES ±		
FINISH		MATERIAL	

UNLESS OTHERWISE SPECIFIED DIMENSIONS ARE IN MILLIMETERS INTERPRET PER ISO STANDARDS HANDBOOK TECHNICAL DRAWINGS VOLUMES 1 & 2, THIRD EDITION (2002)	NAME	DATE	TITLE	
	CE PSHARMA2	13JAN23	PRODUCT DRAWING	
	RW PSHARMA2	01/12/2024		
	AD VJ1007	01/12/2024	SCALE	DOCUMENT NO.
	RE RK1070	01/15/2024	1:5	6VV-10A-F6-L
ECN 40183107CMO				

SIZE	Auth Group	BSA	MODEL	DRAWING			SHEET
A2		VERSION	STATUS	REVISION	VERSION	STATUS	REVISION
		02	RE	C	01	RE	B