

P040-0097 Revision A, October 2023

Mounting Kits For Small cell Antennas

MC-MNT-SIDE-370: Mounting systems for cylindrical pipe installations (50-250mm pipe diameter)

Suitable for small cell cylindrical antennas with a weight less than 20KG and dimensions less than diameter*height: 370*610mm.

Installation Preparations



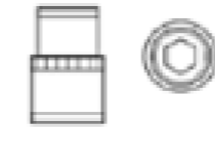
All fasteners must be tightened to the defined torque value after onsite installation, see mounting kit installation diagrams on following pages for correct torque recommendations.

Installation tools list

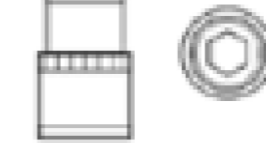
Figure 1 Installation tools lists



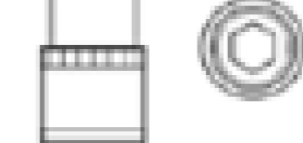
Torque wrench



10mm



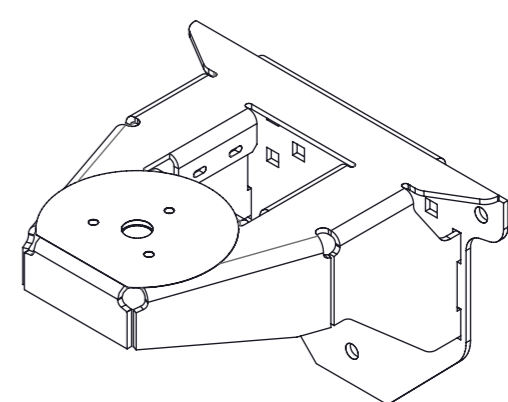
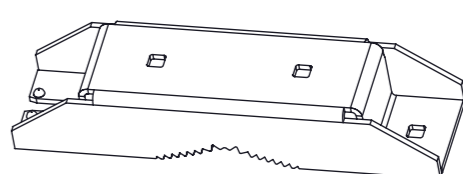
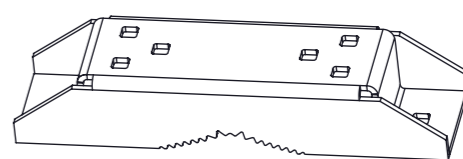
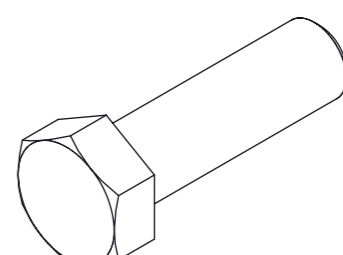
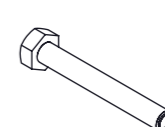
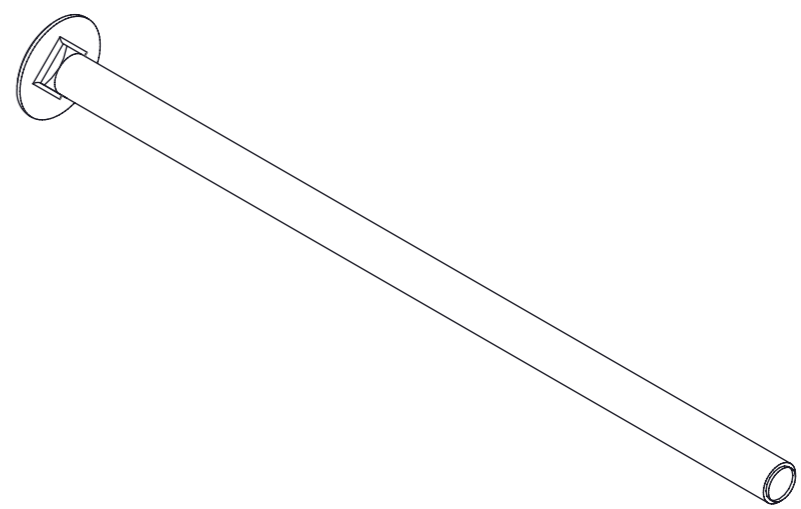
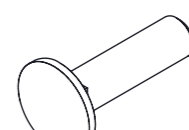
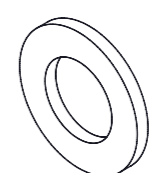

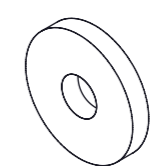

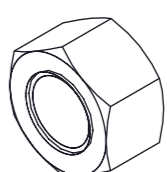
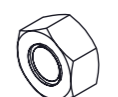
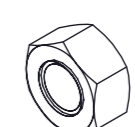
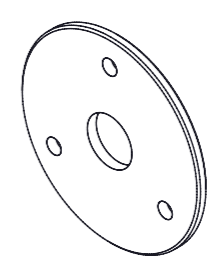
19mm



36mm

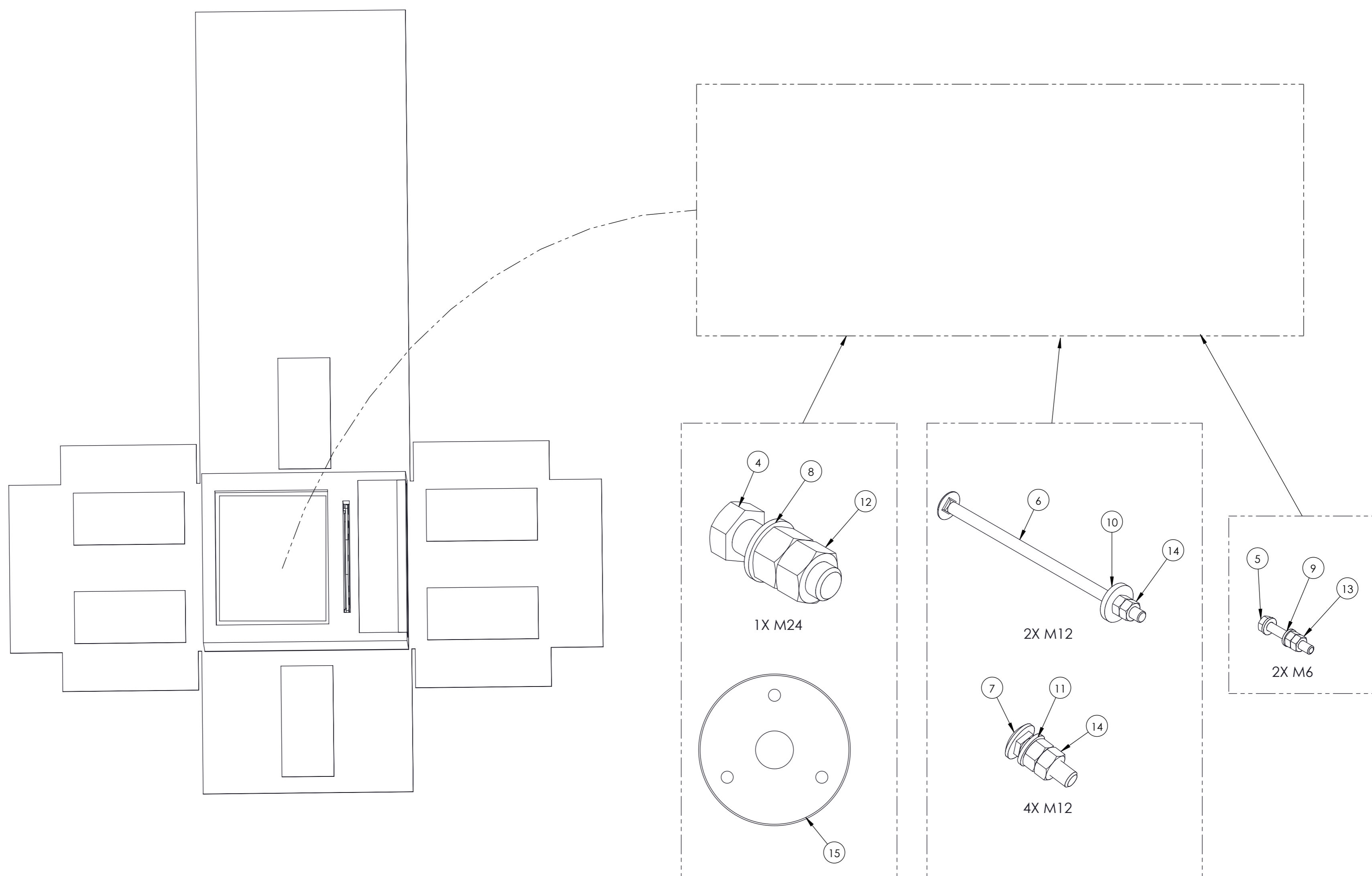
Table 1 Installation tools lists

Tool	Size	Torque Range
Torque wrench	10mm	14Nm(11ft.lbs)
Socket	10mm	14Nm(11ft.lbs)
Torque wrench	19mm	58Nm(43ft.lbs)
Socket	19mm	58Nm(43ft.lbs)
Torque wrench	36mm	100Nm(74ft.lbs)
Socket	36mm	100Nm(74ft.lbs)

ITEM NO.	DESCRIPTION	QTY	U/M	IMAGE
1	MOUNTING BRACKET,W/GASKET	1	EA	
2	POLE CLAMP,MAIN BODY	1	EA	
3	POLE CLAMP,MAIN BODY	1	EA	
4	SCR,HCS,HEX,M24X80,STL,GALV	1	EA	
5	SCR,HCS,HEX,M6X40,SST,PASS	2	EA	
6	BOLT,CARRIAGE,M12X270,STL,GALV	2	EA	
7	BOLT,CARRIAGE,M12X45,STL,GALV	4	EA	
8	WSHR,FLT,M24,25X44X4,STL,GALV	1	EA	
9	WSHR,FLAT,M6,6.4x12x1.6,SST,PASS	4	EA	
10	WSHR,FLAT,M12,13X40X6,STL,GALV	2	EA	
11	WSHR,FLT,M12,13X24X2.5,STL,GALV	4	EA	
12	NUT,HEX,M24,STL,GALV	2	EA	
13	NUT,HEX,M6-1,SST,PASS	4	EA	
14	NUT,HEX,M12,STL,GALV	12	EA	
15	WSHR,FLAT,M24,25X100X5 STL,GALV	1	EA	

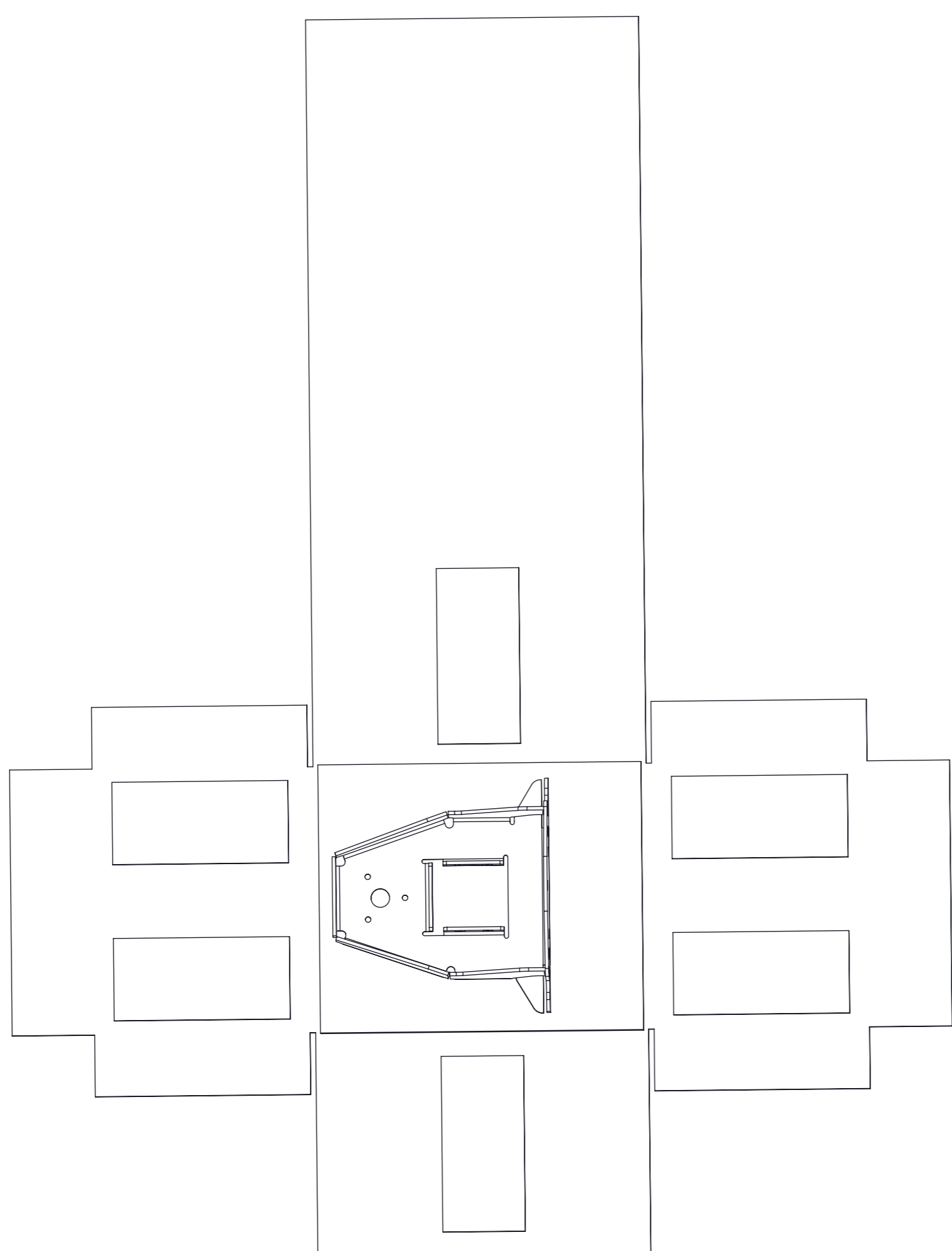
Part Lists

Step 1 : open carton



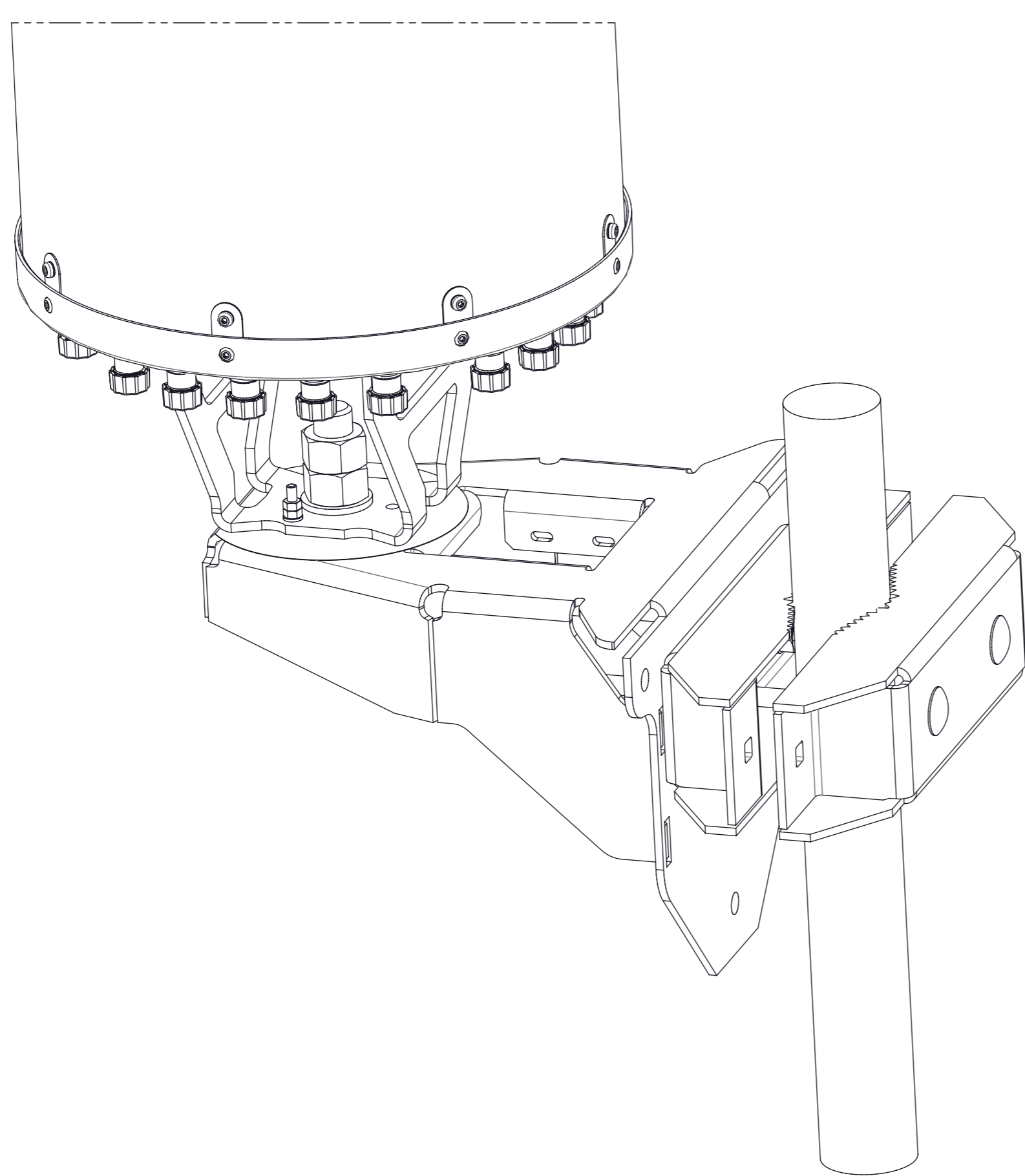
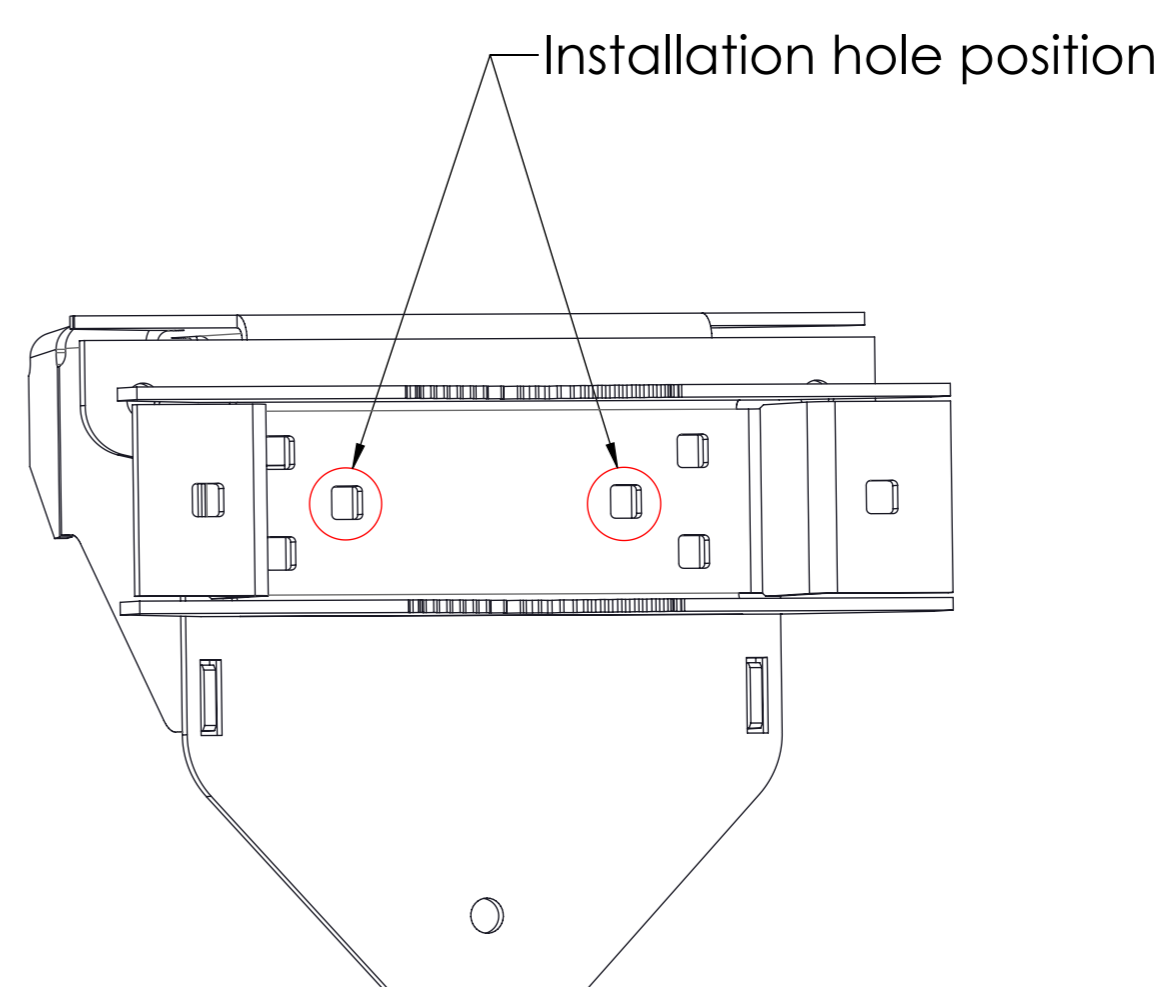
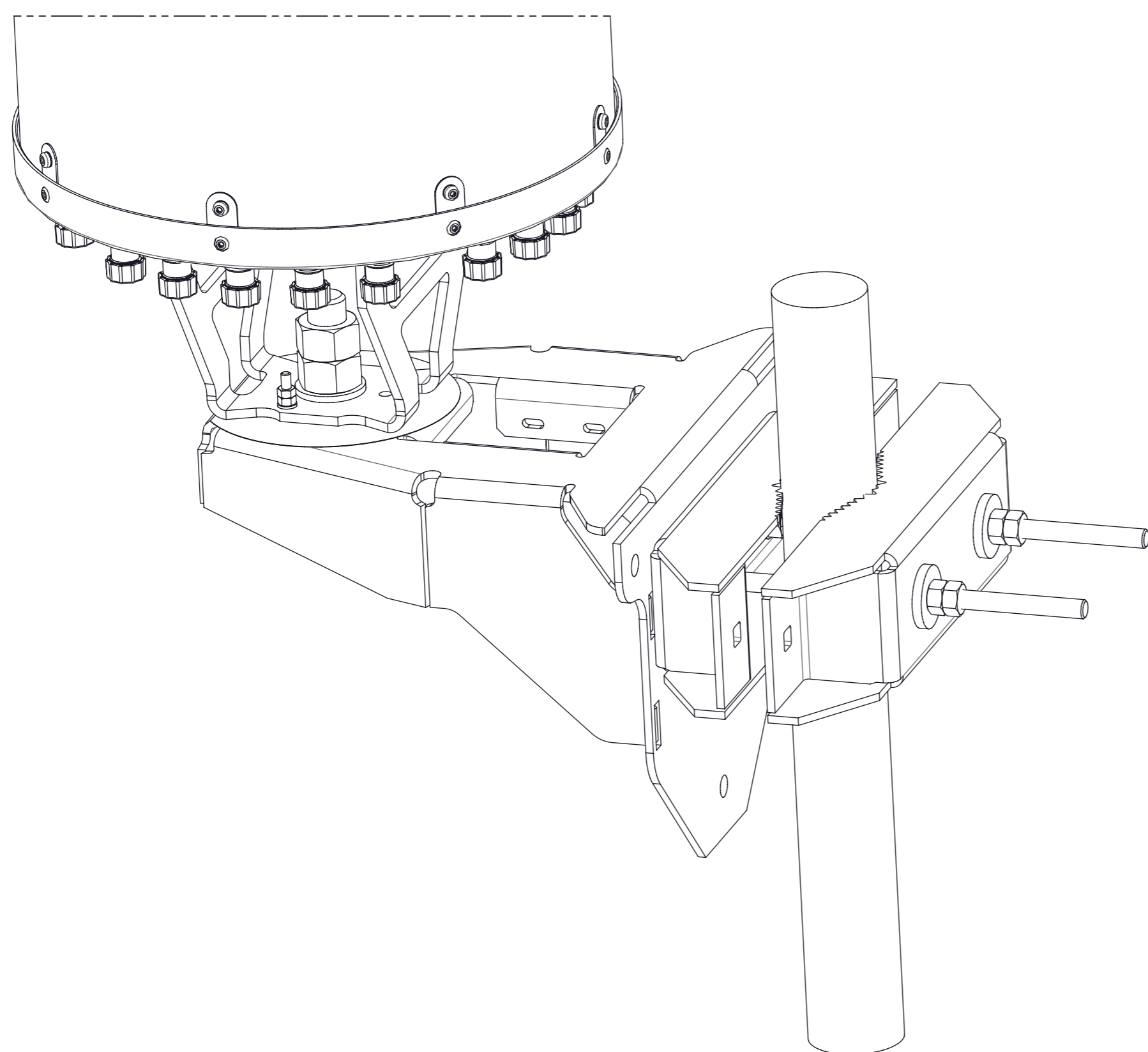
Pack fasteners in small bags, then put them in large bags

Step 2 : remove cushions & fasteners & pole clamps



MC-MNT-SIDE-370

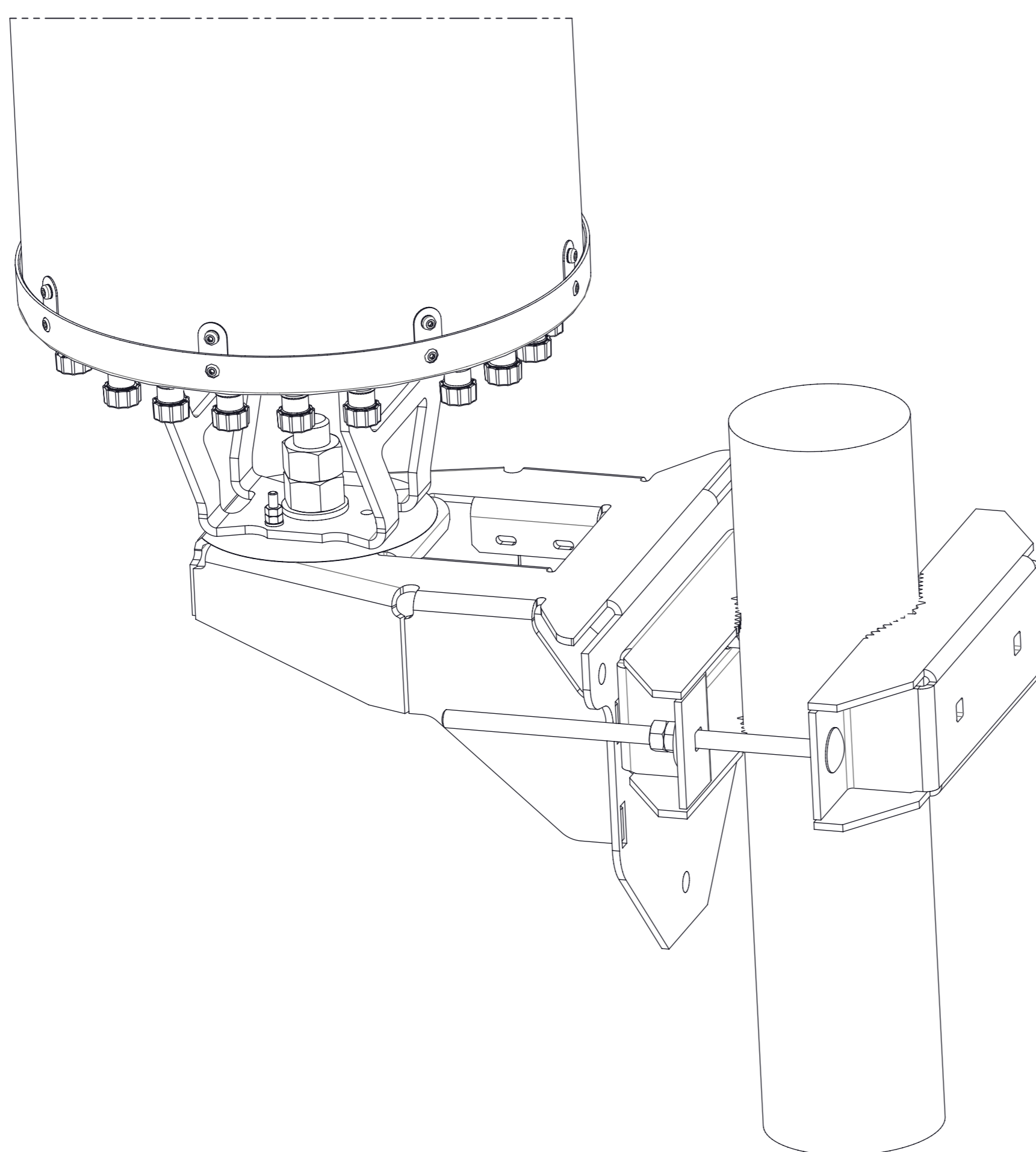
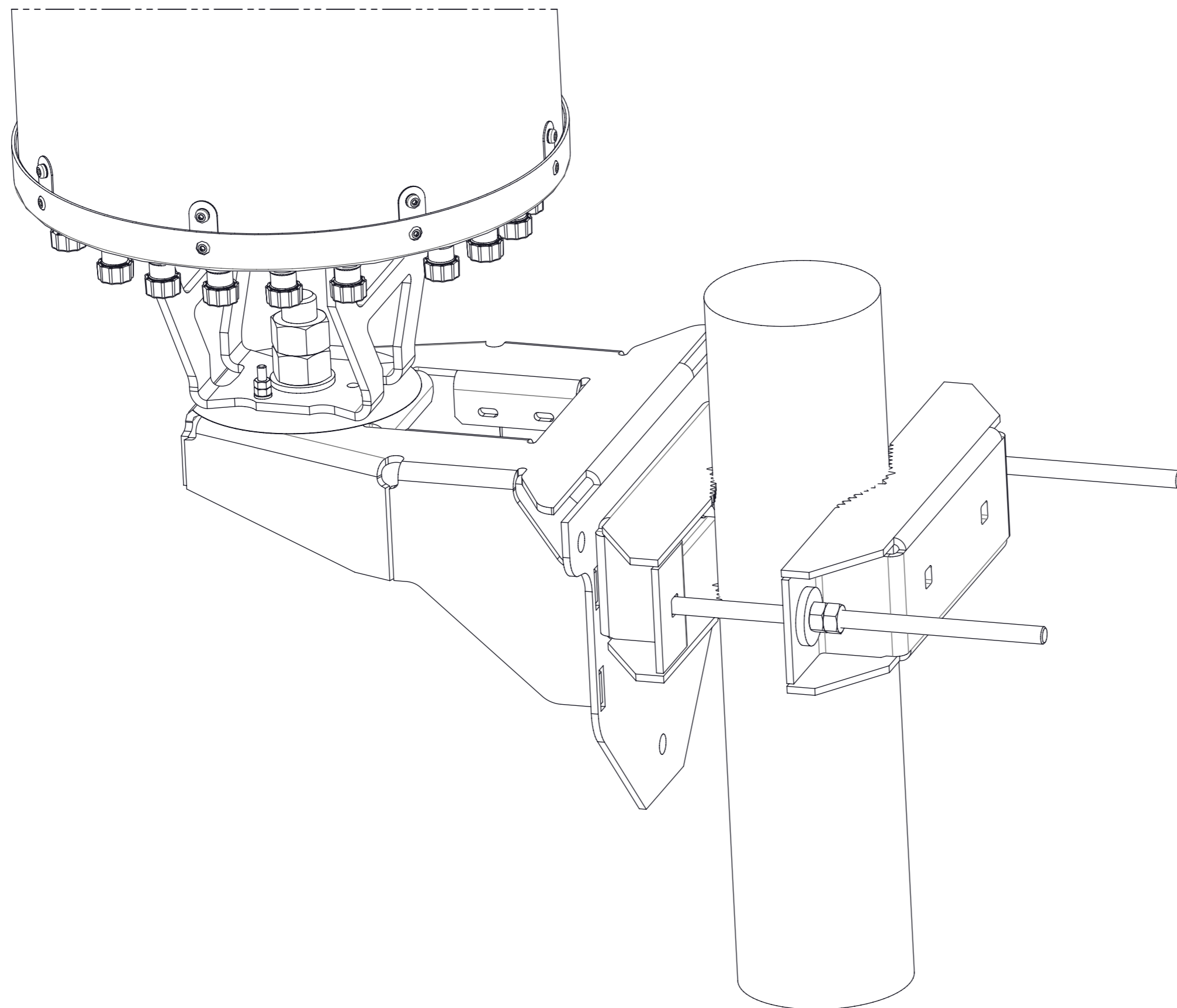
ATTENTION: Measure pole diameter to choose screw holes prior to assembly.



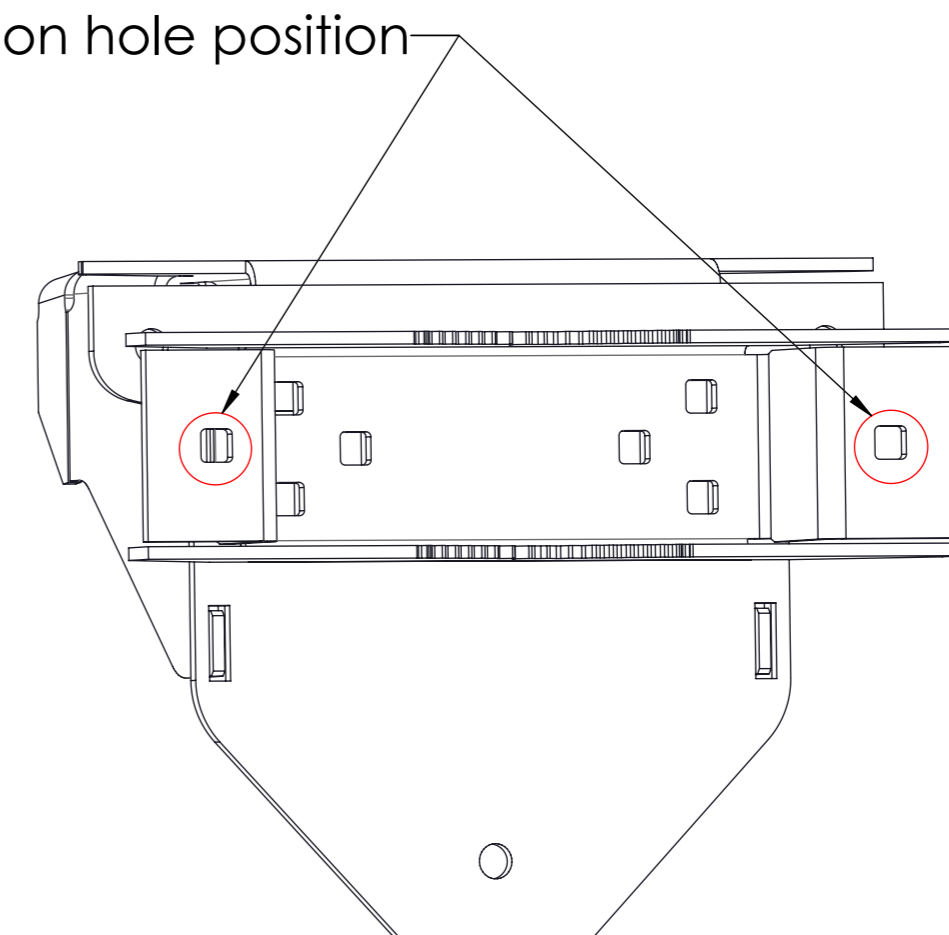
Pole is \varnothing 50mm~100mm, use the inside screw holes for the bolts

PIPE DIAMETER

ATTENTION: Measure pole diameter to choose screw holes prior to assembly.



Installation hole position



Pole is ϕ 101mm~250mm, use the outside screw holes for the bolts

PIPE DIAMETER

GENERAL INFORMATION

After removing the antenna from its shipping container carefully inspect it to ensure there is no shipping damage. If the antenna is to be hoisted into position, ensure the lifting eye bolt is correctly installed. Ensure the antenna is securely held during hoisting to avoid rotation on the lifting eye bolt.

INSTALLATION INSTRUCTIONS

Refer to Figures 2 and 3 for mounting and arrow direction. It is recommended that the mounting holes be marked and made ready in the mounting surface prior to installing the antenna.

The arrow of each antenna is shown on brakcet one side. The direction of each antenna must be considered prior to mounting to ensure desired performance.

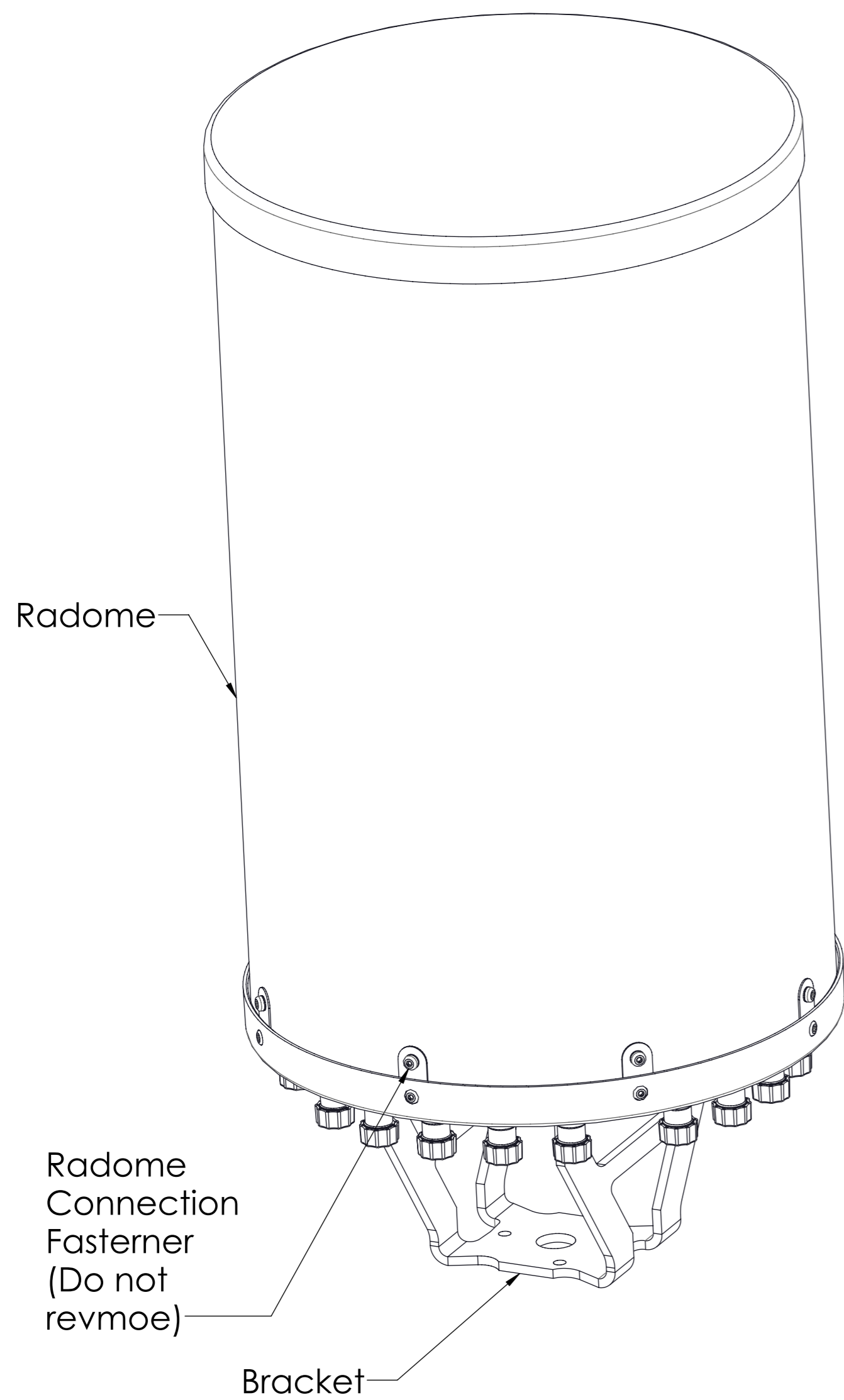


Figure 1. Small cell CommScope base station antennas

Warning: loosening or removing bolts that attach mounting plate to antenna will void warranty and may result in product damage or personal injury

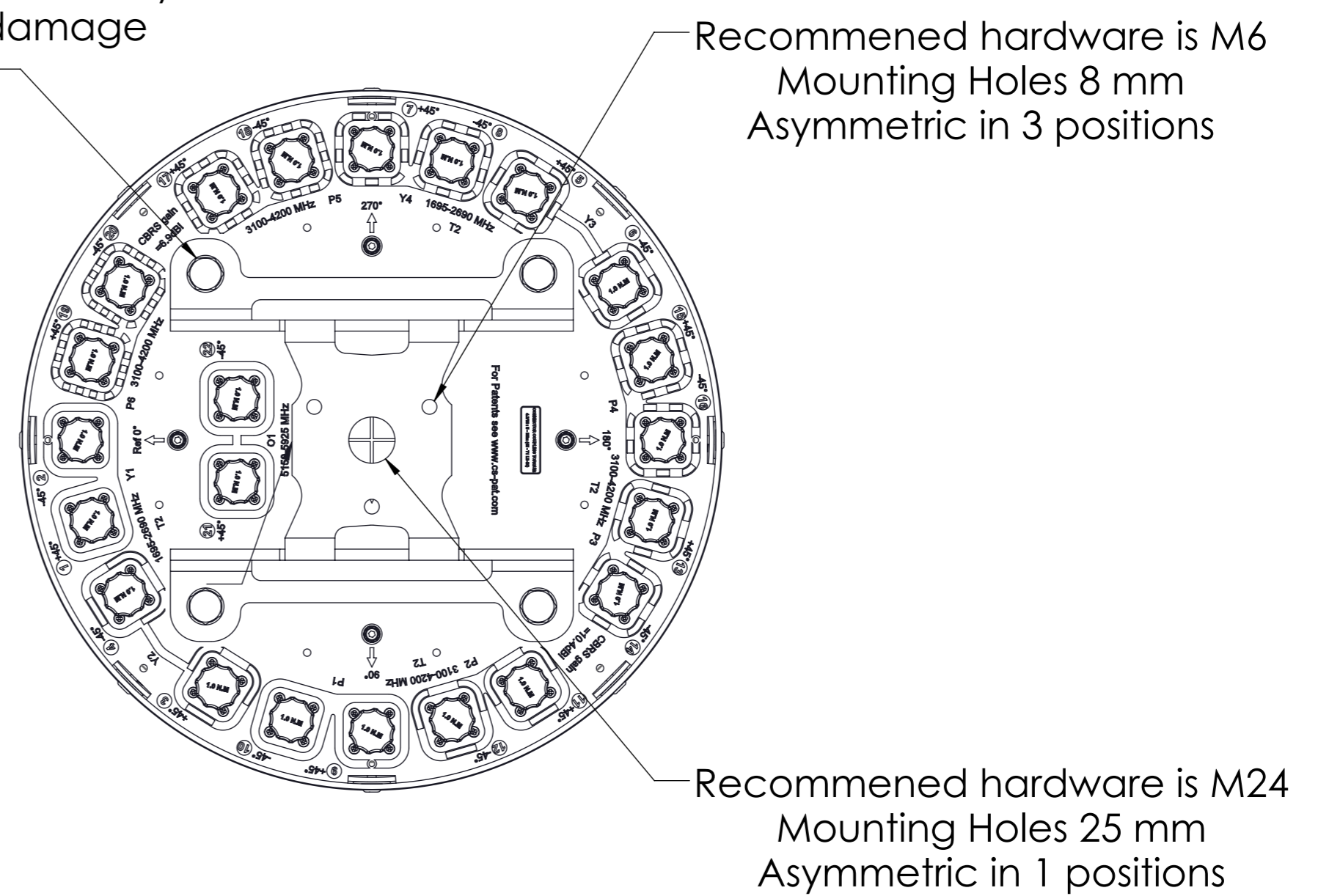


Figure 2. Mounting Holes on Bracket Viewed From Bottom Side of Antenna

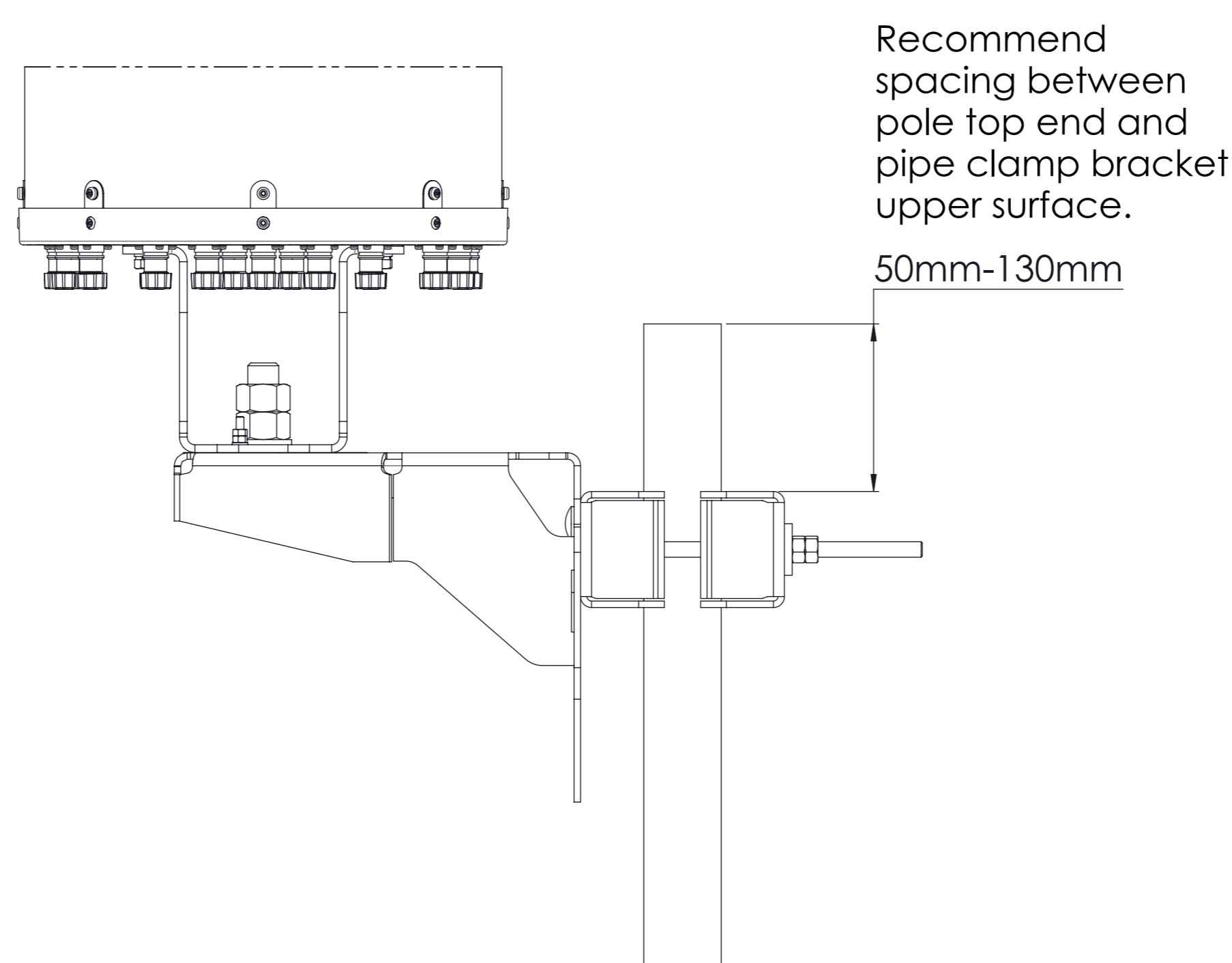


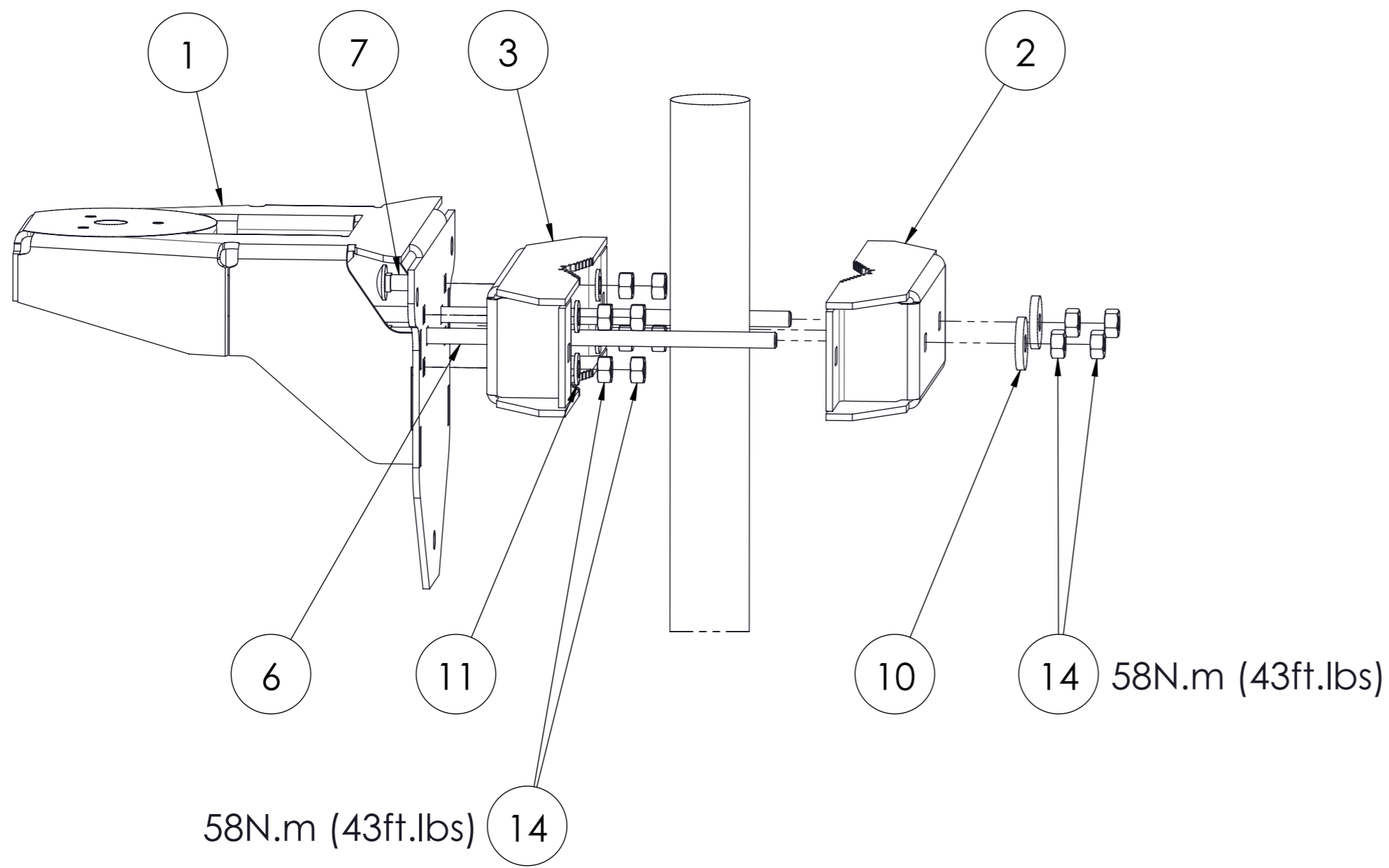
Figure 3. Pole And Clamp Distance

MC-MNT-SIDE-370

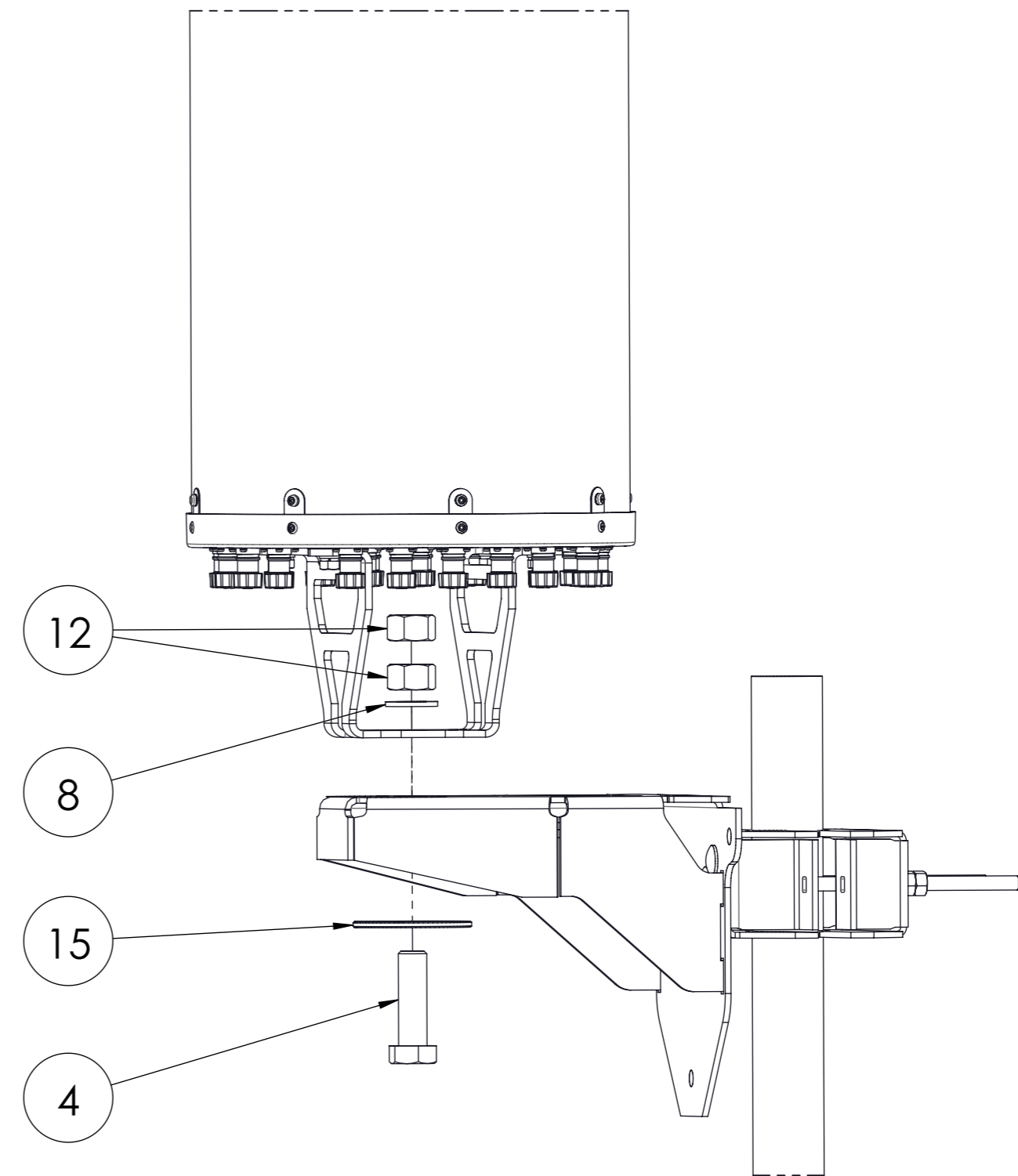
REQUIRED TORQUE	
M6	14N.m (11ft.lbs)
M12	58N.m (43ft.lbs)
M24	100N.m (74ft.lbs)

Method 1: Install the antenna on the pole

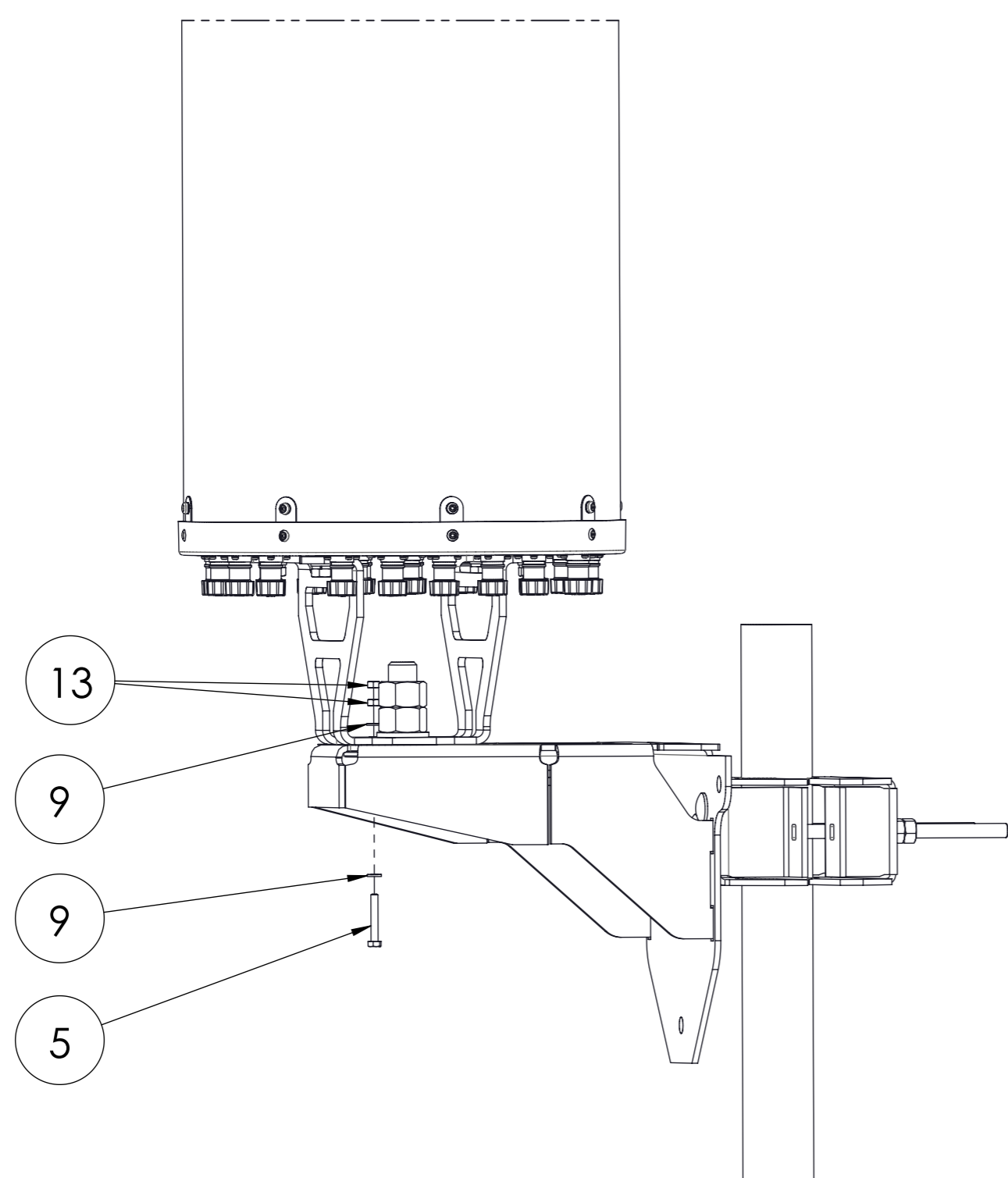
STEP 1 : Install the mounting kit on the pole



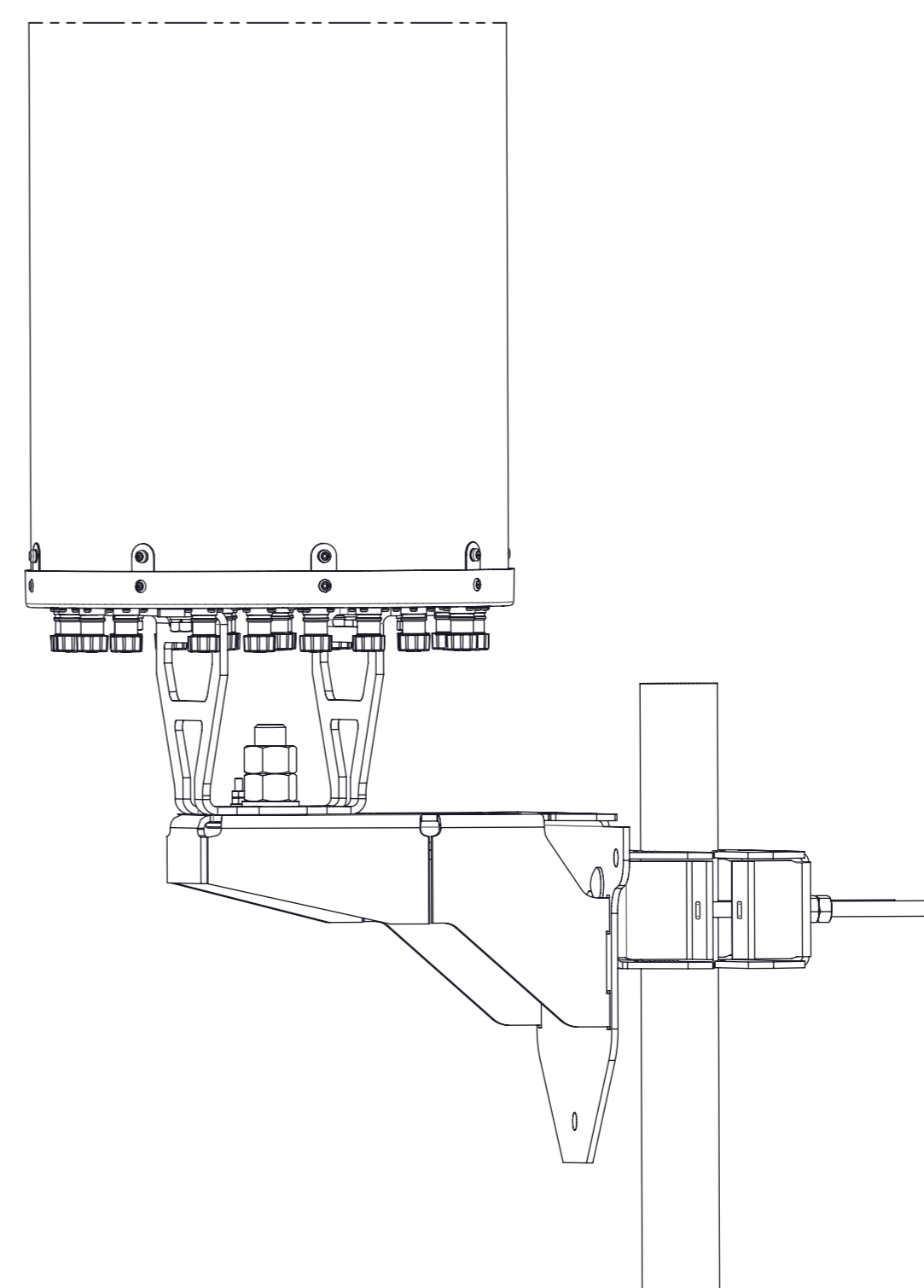
Step 2 : install small cell antenna on the bracket surface with M24 bolt and nuts.



Step 3 : Make sure the direction and install the M6 bolt and nuts



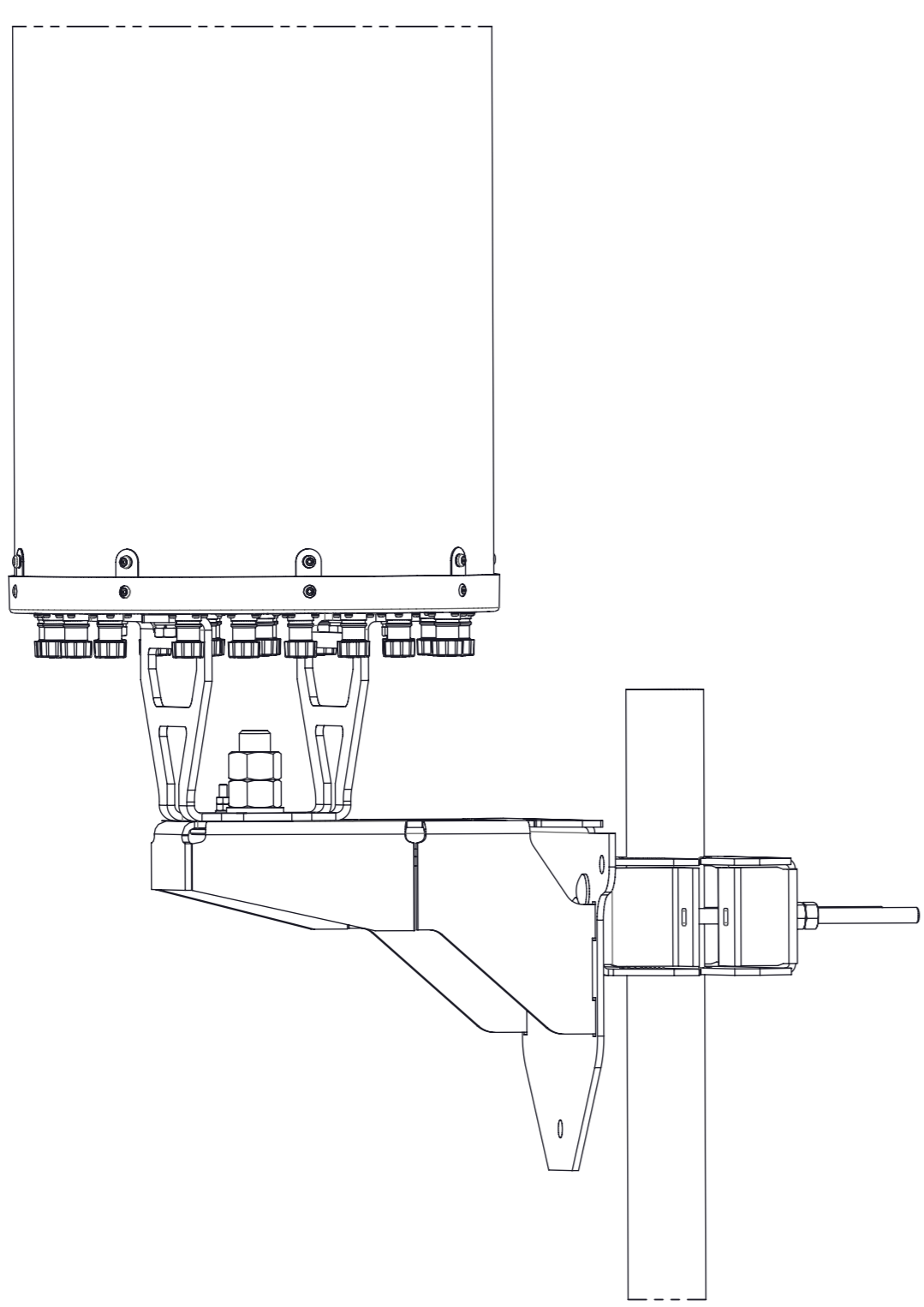
Step 4: Tighten the M24 nuts to 100 Nm



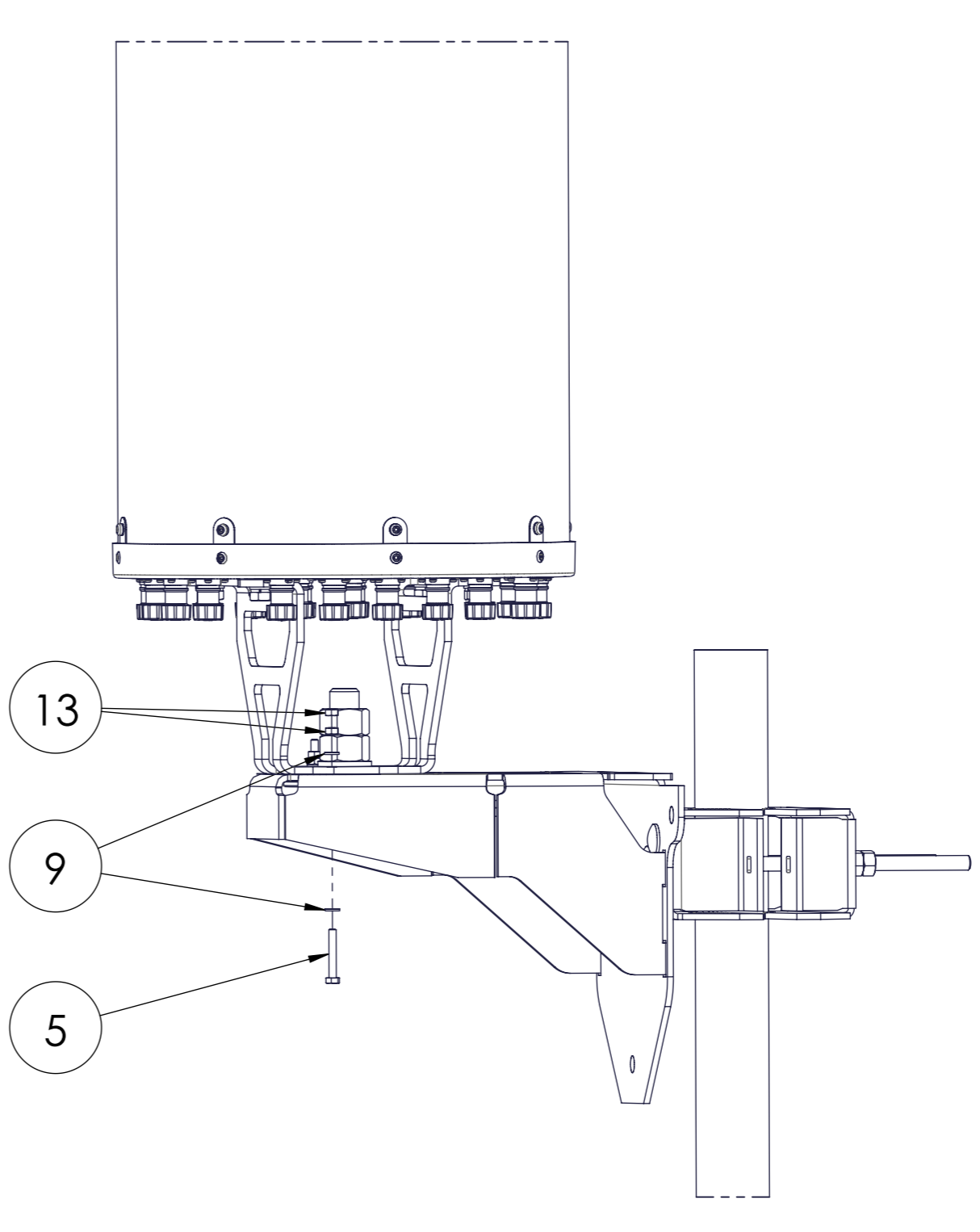
MC-MNT-SIDE-370

REQUIRED TORQUE	
M6	14N.m (37ft.lbs)

Step 5: Tighten the M6 nuts to 14 Nm

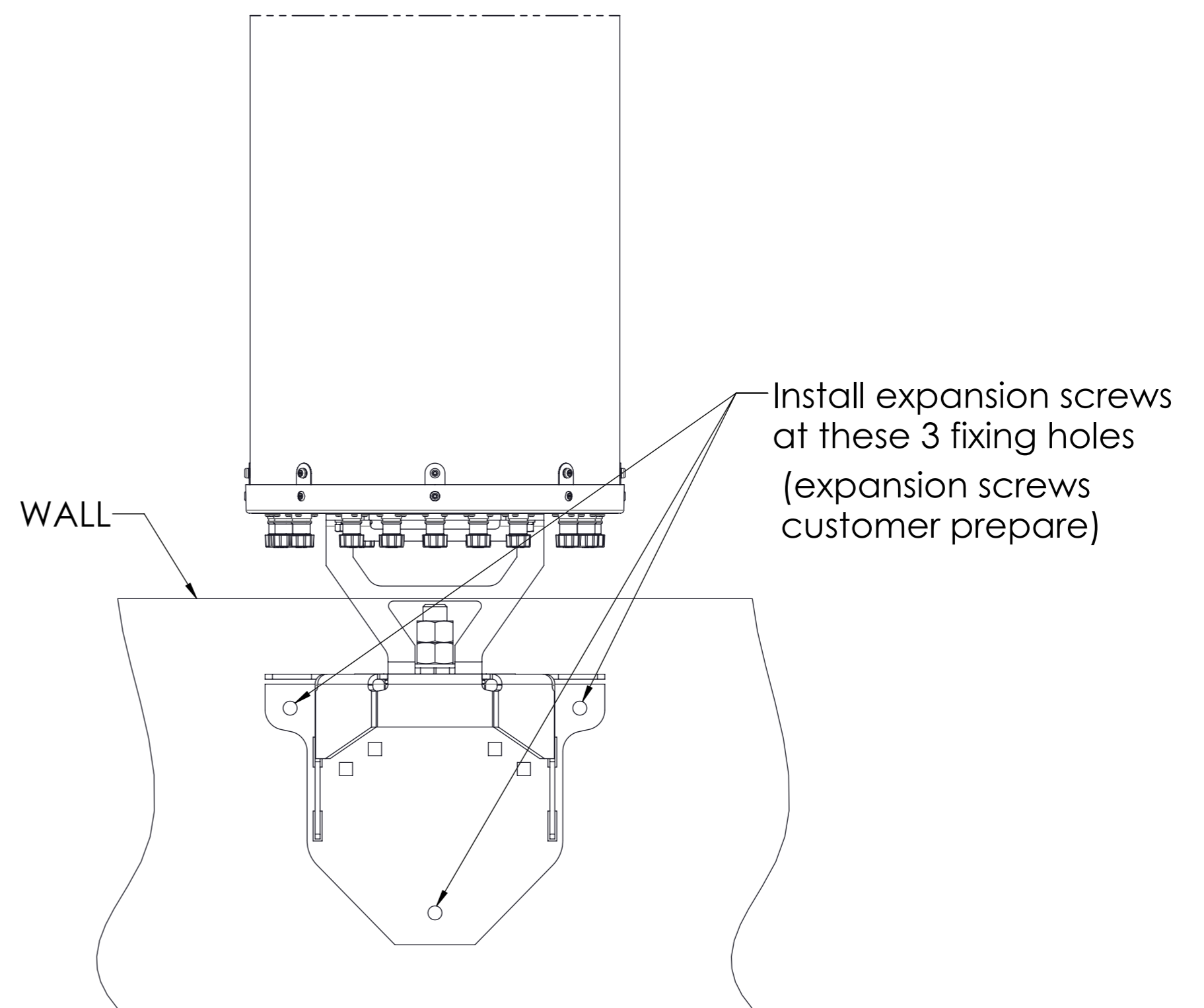
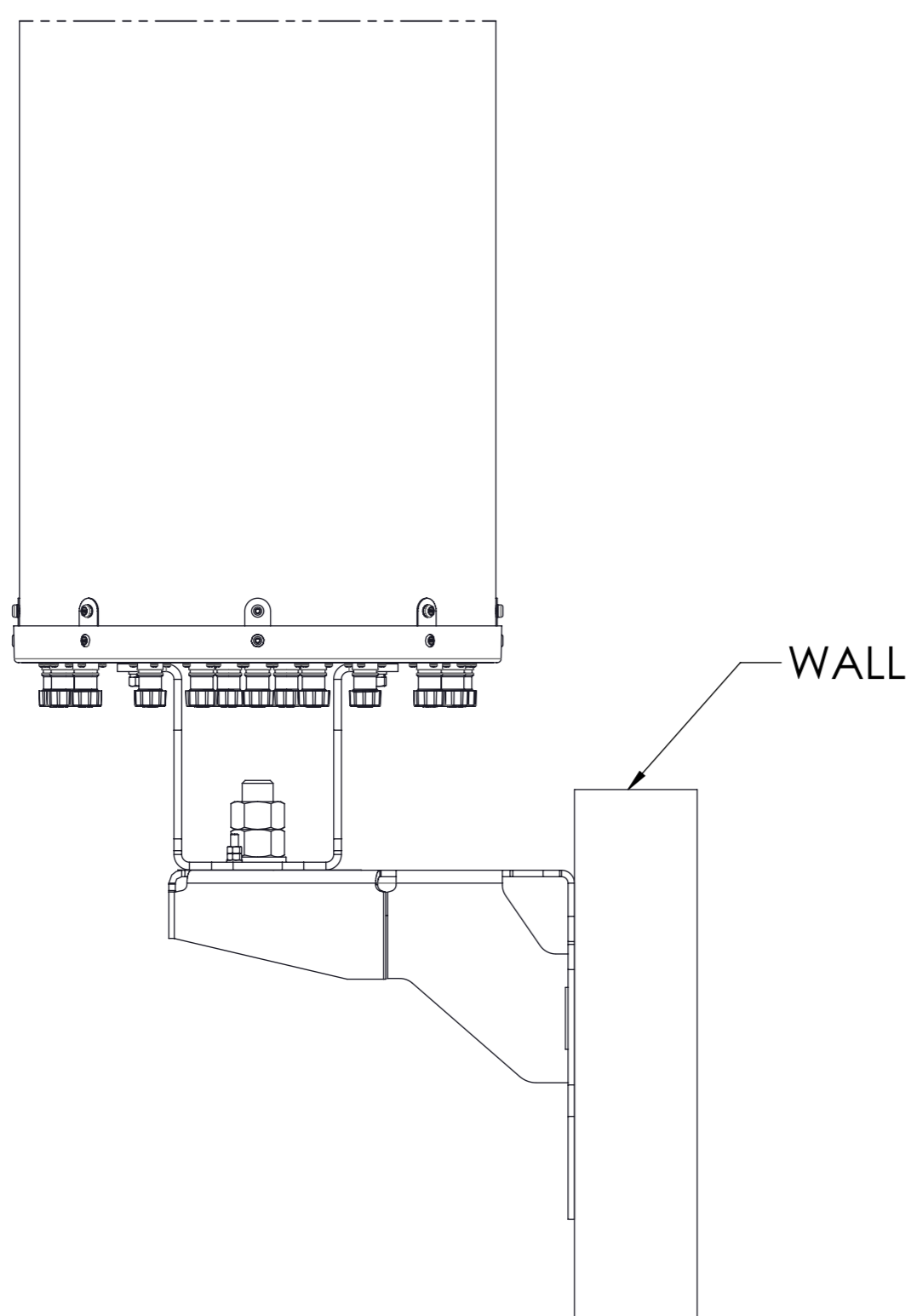


Step 6 : Choose a convenient location to install another M6 fastener, then tighten the M6 nuts to 14 Nm

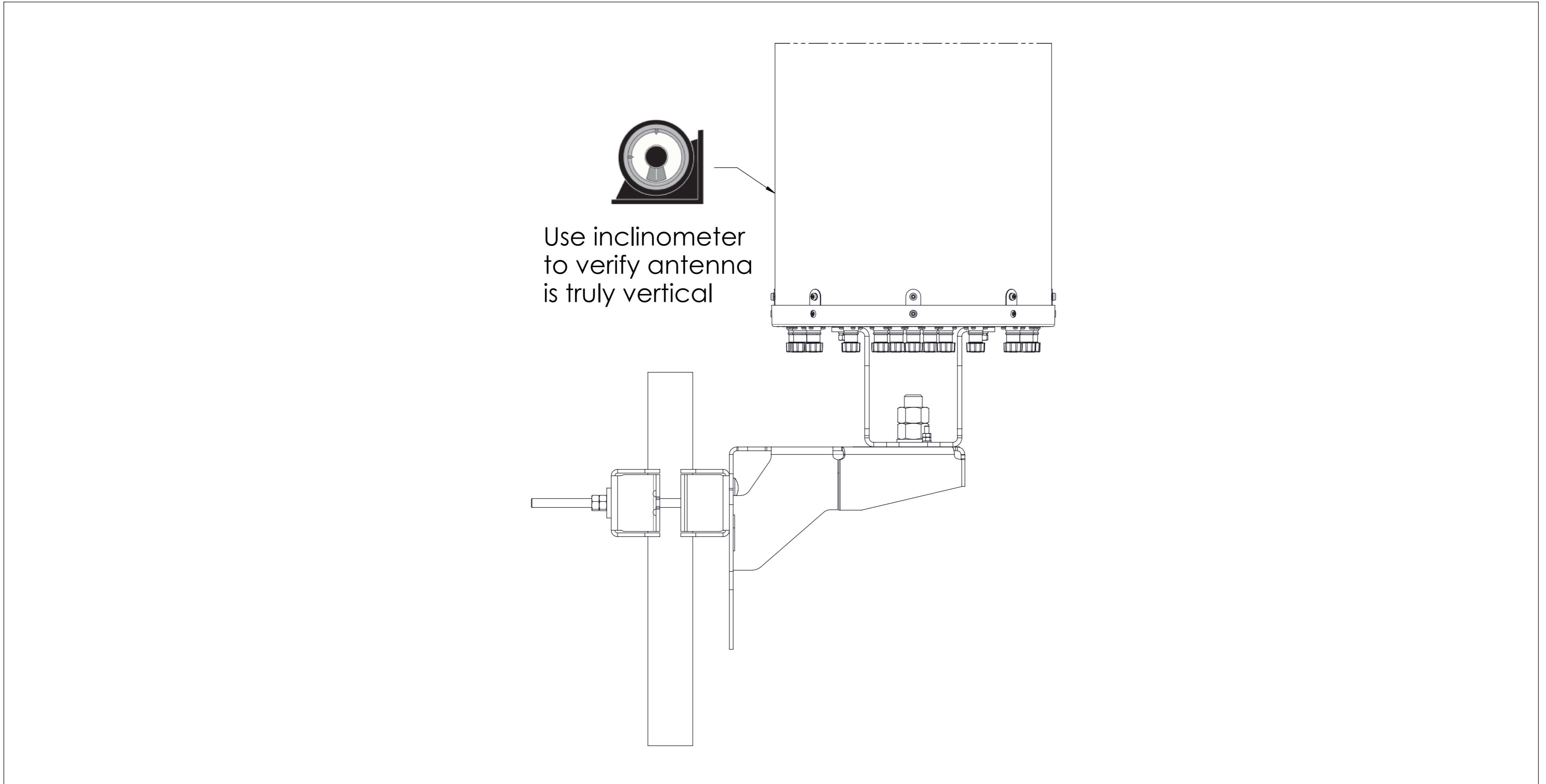


Method 2: Install the antenna on the wall

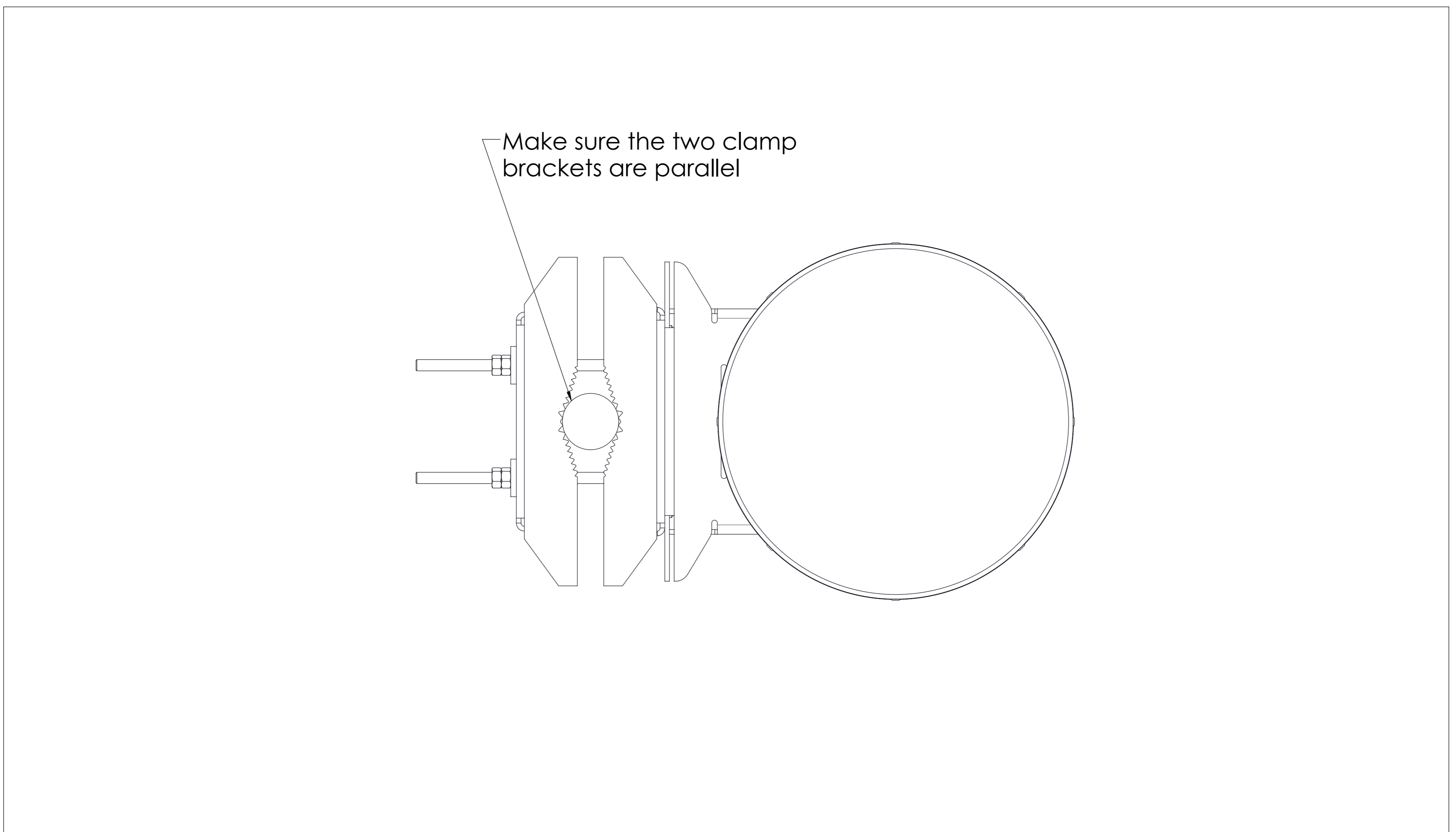
Antenna installation method reference method 1



MC-MNT-SIDE-370



MC-MNT-SIDE-370



MC-MNT-SIDE-370

SAFETY NOTICE

The installation, maintenance, or removal of an antenna requires qualified, experienced personnel. CommScope installation instructions are written for such installation personnel. Antenna systems should be inspected once a year by qualified personnel to verify proper installation, maintenance, and condition of equipment.

CommScope disclaims any liability or responsibility for the results of improper or unsafe installation practices.

It is recommended that transmit power be turned off when the field installation is performed. Follow all applicable safety precautions as shown on this page.



Do not install near power lines. Power lines, telephone lines, and guy wires look the same. Assume any wire or line can electrocute you.



Do not install on a wet or windy day or when lightning or thunder is in the area. Do not use metal ladder.



Wear shoes with rubber soles and heels. Wear protective clothing including a long-sleeved shirt and rubber gloves.