

FDH4000-CLOSURE

Base Product



FDH 4000, Underground/Closure styled Cabinet

- Thermoplastic construction provides UV stabilization, flame retardancy, and chemical & impact resistance
- Provides air/water tight seal ensuring protection from flooding and fungus
- Unsurpassed reliability makes it ideal for aerial and below grade applications

All-weather solution. Anywhere installation.

When deployed below grade, the sealed FDH 4000 closure can reduce permit and labor challenges. An additional benefit is that, unlike traditional FDH cabinets, this closure can withstand severe storms and flooding—providing an all-weather solution that ensures network uptime in the most critical situations. The FDH 4000 closure can be installed practically anywhere—its compact size overcomes space challenges in crowded hand holes and vaults as well as on walls or even as an aerial FDH on poles or strand. Furthermore, in deployments where maintaining the historical character of a site is critical, the small size and pleasing aesthetics of the FDH 4000 closure make it a solution that delivers excellent results when needed the most.

Secured, safe, easy deployment

Aesthetically pleasing and small enough to conceal from view, the FDH 4000 closure is less prone to vandalism—ideal for places where securing network equipment is a concern. Considerably lighter than cabinet configurations, the unit puts less strain on the technicians handling it and requires less equipment and much smaller field crews to install. To protect crucial network components, the FDH 4000 closure brings together the most advanced technology from the inside and outside plant. It's a compact solution that offers the high density required by today's applications, along with rugged environmental protection.

Product Classification

Regional Availability	Asia Australia/New Zealand EMEA Latin America North America
Product Type	Fiber distribution closure
Product Series	FDH 4000
Warranty	One year

General Specifications

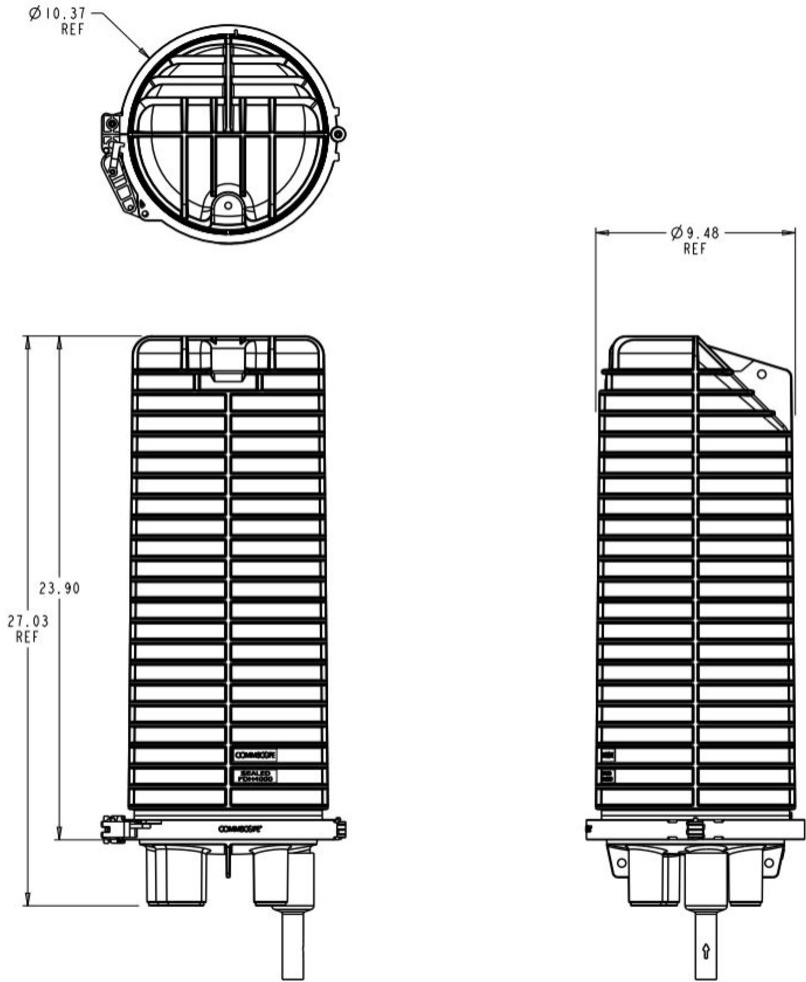
Color	Black
Mounting	Handhole Pole Strand Wall

Dimensions

Cable Length	30.48 m 100 ft
Enclosure Size	Small

Dimension Drawing

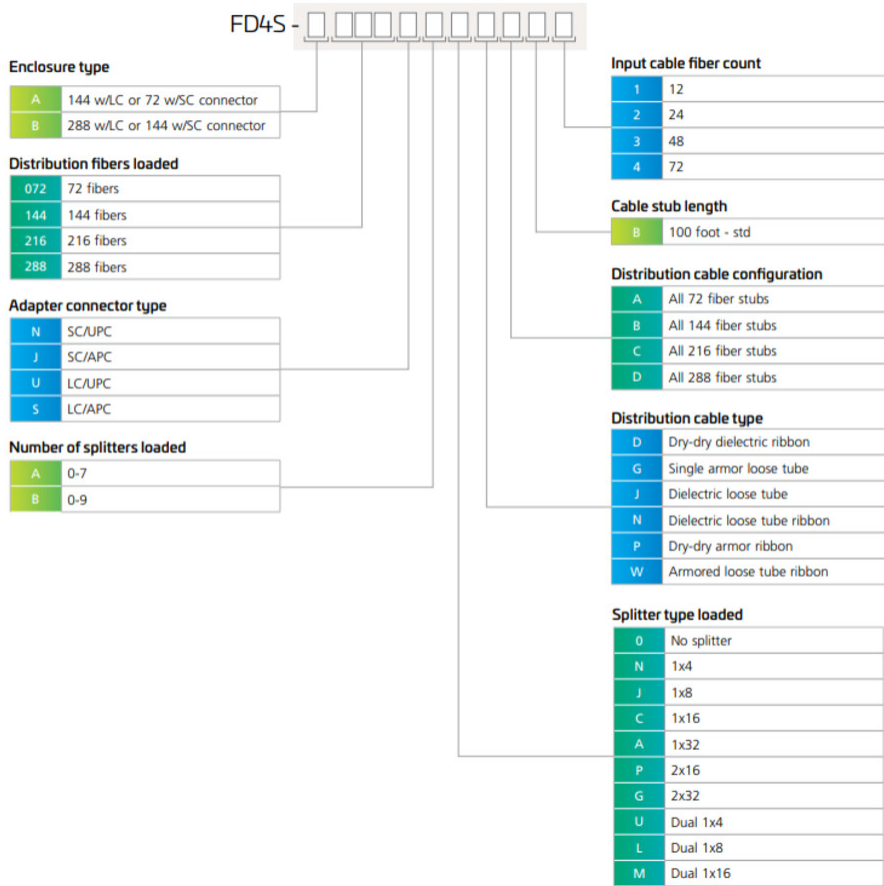
FDH4000-CLOSURE



Ordering Tree

FDH4000-CLOSURE

FDH 4000 ordering information



Environmental Specifications

Environmental Space Above ground | Below ground

Qualification Standards IEC 60529, IP68 | Telcordia GR-3121-CORE

Packaging and Weights

Packaging quantity 1

Weight, without cable 15.876 kg | 35 lb

* Footnotes

Warranty For more information, please consult our Product Warranty guidelines