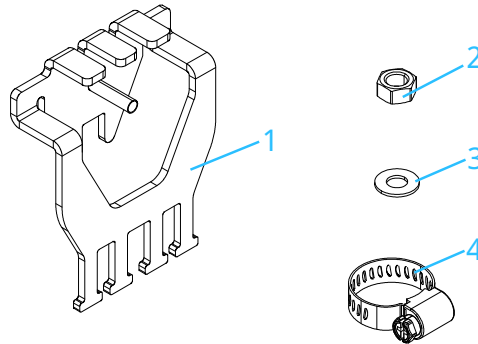


NOVUX™ Fiber Optic System NVX-TR-EX-SM-NN: External fixation bracket

Applicable for SRC50/SRC100

1 Kit contents



N°	Description	Qty
1	External fixation bracket	1
2	Nut M4	1
3	Washer M4	1
4	Hose clamp	2

2 Install external fixation bracket

