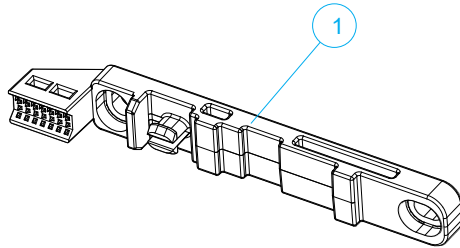


NOVUX™ Fiber Optic System NVX-UMB-NN-SM-R01: Mounting Bracket

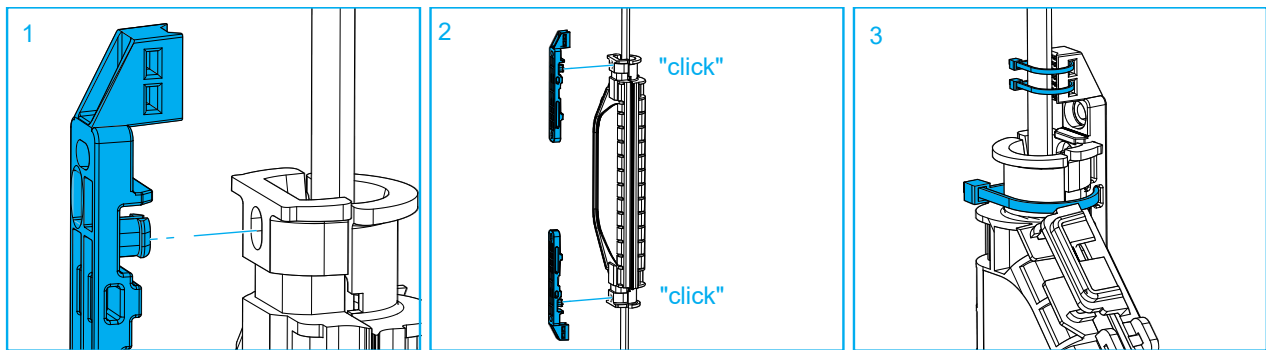
Applicable for SRC10

1 Kit contents



N°	Description	Qty
1	Mounting bracket	2

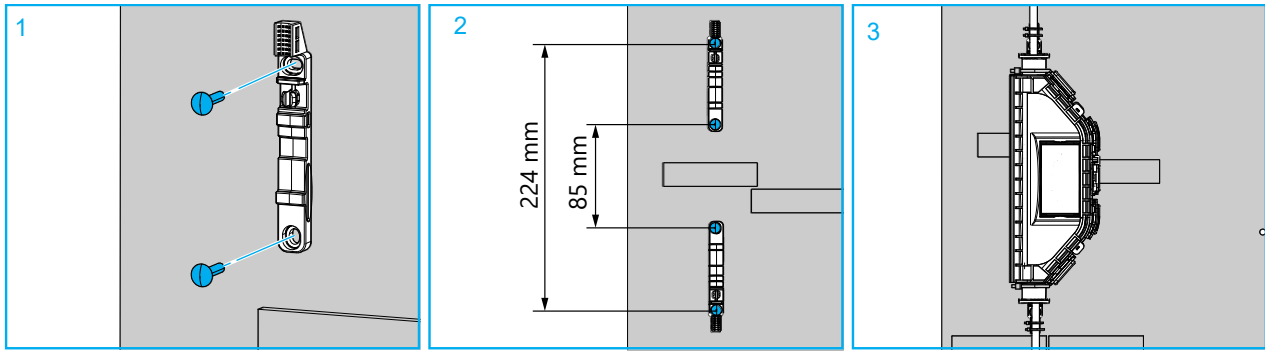
2 Install the mounting bracket




- 1 Position the SRC10 closure in front of the mounting bracket tab.
- 2 Install the SRC10 closure as shown in the pictures above until it snaps onto the mounting bracket.
- 3 Secure the SRC10 closure and cables with cable ties.

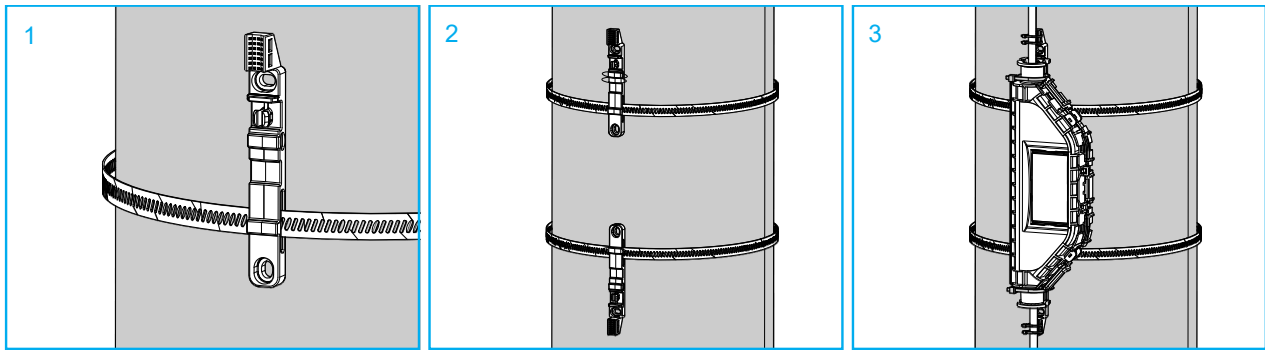
 **Note:** Cable ties are not included.


3 Wall mounting



 **Note:** Mounting hardware (screws) not included.

4 Pole mounting



 **Note:** Mounting hardware (straps) are not included.