

4

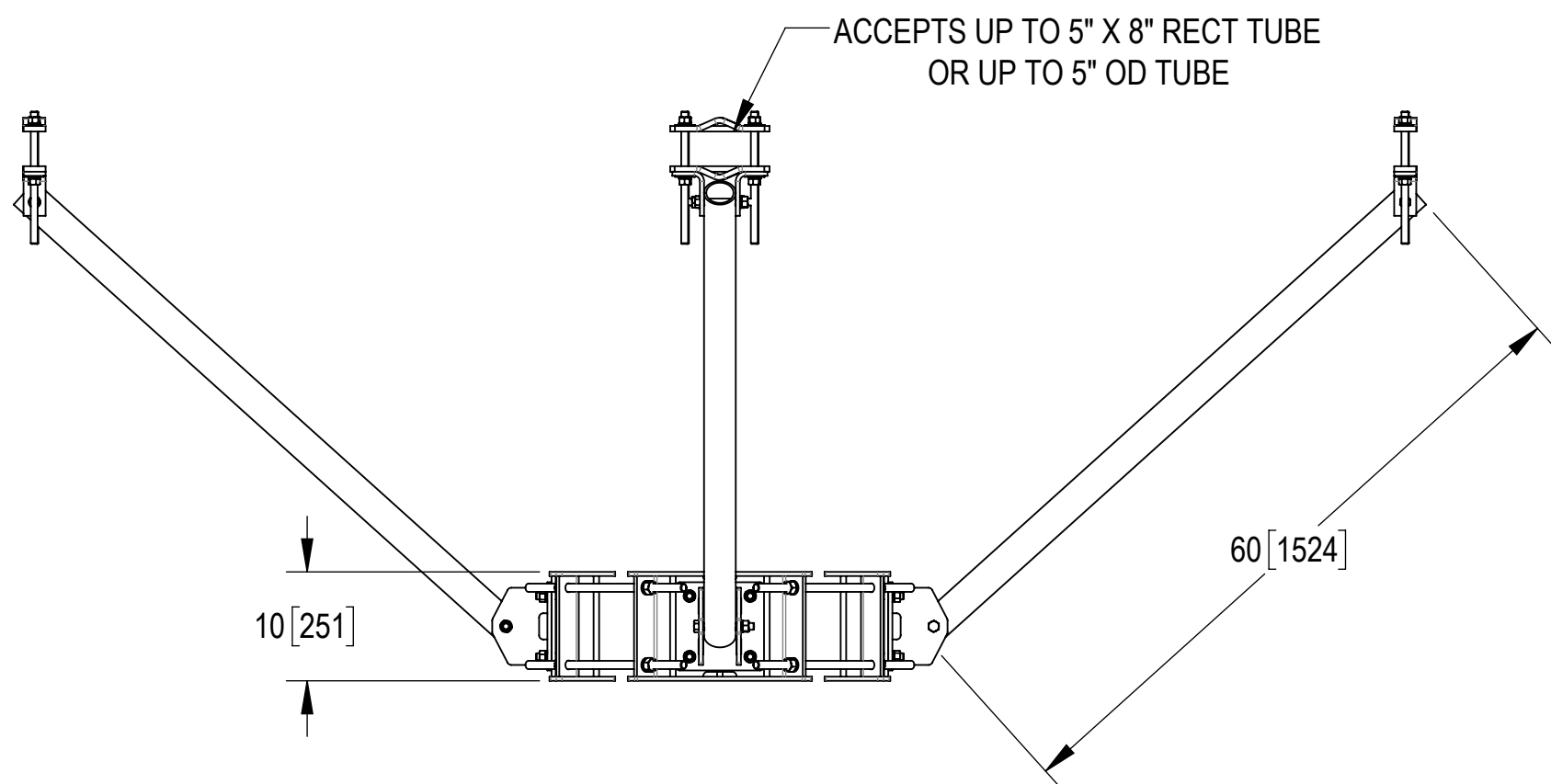
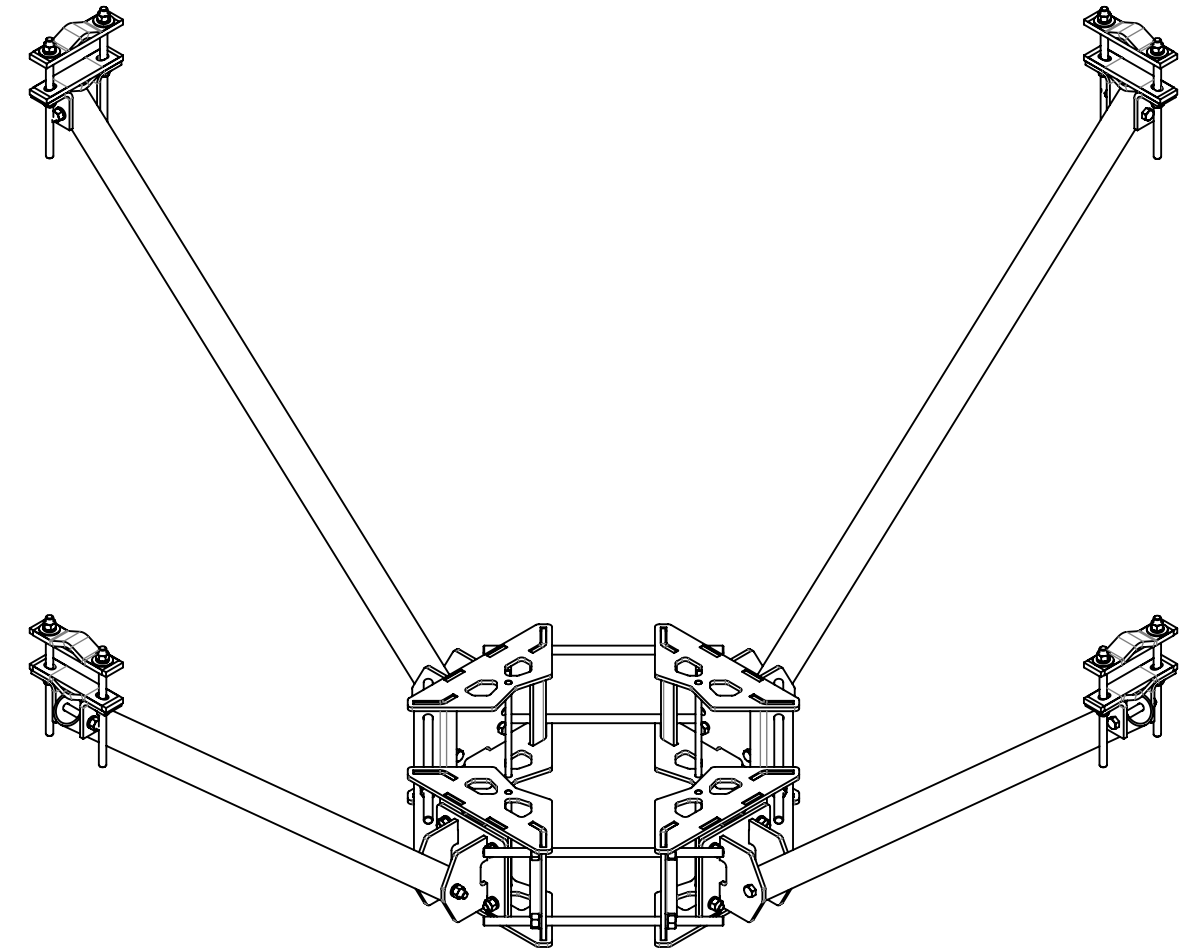
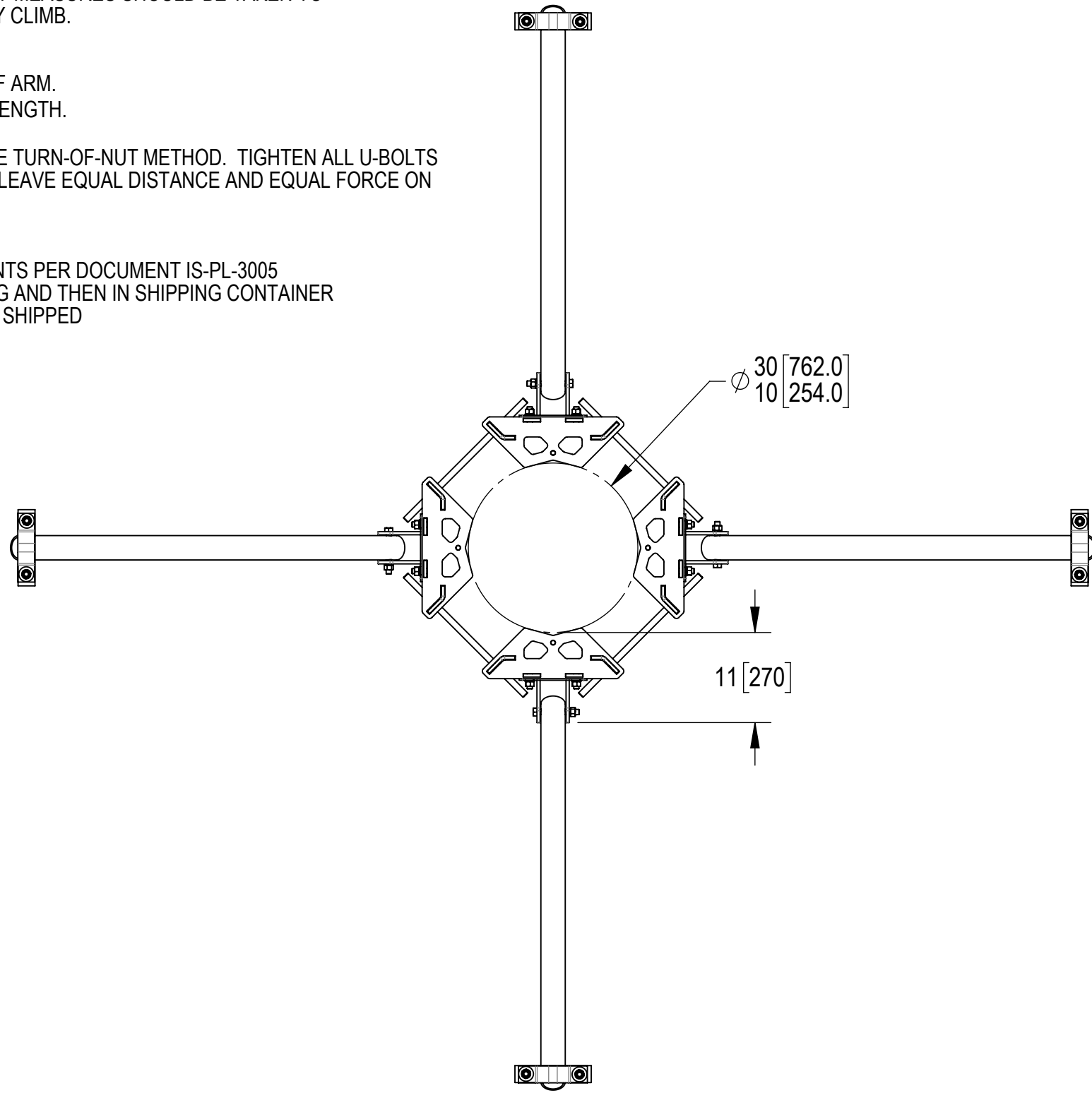
3

2

1

- 1.0 GENERAL NOTES  
 1.1 ALL METRIC DIMENSIONS ARE IN BRACKETS [X.X]  
 1.2 FOR PATENT INFO: <https://www.cs-pat.com>  
 2.0 DESIGN NOTES  
 2.1 ANY HAZARDS OR OBSTRUCTIONS TO THE CLIMBING FACILITY AND SAFETY CLIMB MUST BE IDENTIFIED PRIOR TO INSTALLING THE APPURTENANCE. ADDITIONAL PRODUCTS MAY BE REQUIRED TO MAINTAIN THE INTEGRITY OF THE SAFETY CLIMB. DURING INSTALLATION, TEMPORARY AND/OR PERMANENT PRECAUTIONARY MEASURES SHOULD BE TAKEN TO PRESERVE THE CLIMBING FACILITY AND/OR SAFETY CLIMB.  
 2.2 FITS MONOPOLES 10"-30" OD.  
 2.3 USE DCP10 FOR ROUND TUBE STAND-OFF ARM.  
 2.4 USE MTC323704 FOR RECTANGLE TUBE STAND-OFF ARM.  
 2.5 CUT THREADED RODS AS NEEDED FOR PROPER LENGTH.  
 3.0 MANUFACTURING/SPECIAL REQUIREMENTS  
 3.1 TIGHTEN ALL BOLTS SECURING FLAT PLATES BY THE TURN-OF-NUT METHOD. TIGHTEN ALL U-BOLTS USING TURN-OF-NUT METHOD WITH ATTENTION TO LEAVE EQUAL DISTANCE AND EQUAL FORCE ON EACH LEG OF THE U-BOLT.  
 4.0 TEST  
 5.0 PACKAGING  
 5.1 PACKAGING SHALL MEET COMMSCOPE REQUIREMENTS PER DOCUMENT IS-PL-3005  
 5.2 PRINTED DOCUMENT TO BE PLACED INSIDE POLYBAG AND THEN IN SHIPPING CONTAINER  
 5.3 EXTRA HARDWARE MAY BE SUPPLIED, BAGGED AND SHIPPED

REVISIONS			
REV.	DESCRIPTION	DATE	APPROVED
C	CREATED INDIVIDUAL DRAWING	RY1002 08MAR24	BCROSS 40190869CMO
D	MT-381 WAS MT-381-8	YMENG 12APR24	CB1094 40193236CMO



**COMMSCOPE, INC. OF NORTH CAROLINA**

TOLERANCES		SAP MATERIAL MASTER	
1 PLACE .X[X] ± 0.12[3.0]	3 PLACE .XXX[X] ± 0.030[0.8]	<b>RK-60-4S</b>	
2 PLACE .XX[X] ± 0.06[1.5]	ANGLES ± 2°		
FINISH		MATERIAL	
<small>UNLESS OTHERWISE SPECIFIED DIMENSIONS ARE IN INCHES INTERPRET PER ANSI Y 14.5M-1994</small>		NAME	DATE
		CE RY1002	08MAR24
		RW YMENG	04/16/2024
		AD CB1094	04/17/2024
		RE YMENG	04/24/2024
ECN 40193236CMO		TITLE	
		<b>REINFORCEMENT KIT, 4-SECTOR, 60" ARM</b>	
SCALE	DOCUMENT NO.		
<b>1:18</b>	<b>RK-60-4S</b>		
SIZE	Auth Group	INSL	MODEL
<b>C</b>			VERSION STATUS REVISION
			02 RE D
		DRAWING	
		VERSION STATUS REVISION	SHEET
		01 RE D	1 OF 2

DENSITY	366.98	lbs/in <sup>3</sup>
MASS	366.98	lbs
VOLUME	1761.78	in <sup>3</sup>
SURFACE AREA	11799.21	in <sup>2</sup>
HEIGHT	55"	
LENGTH	124"	
WIDTH	124"	

4

3

2

1

D

D

C

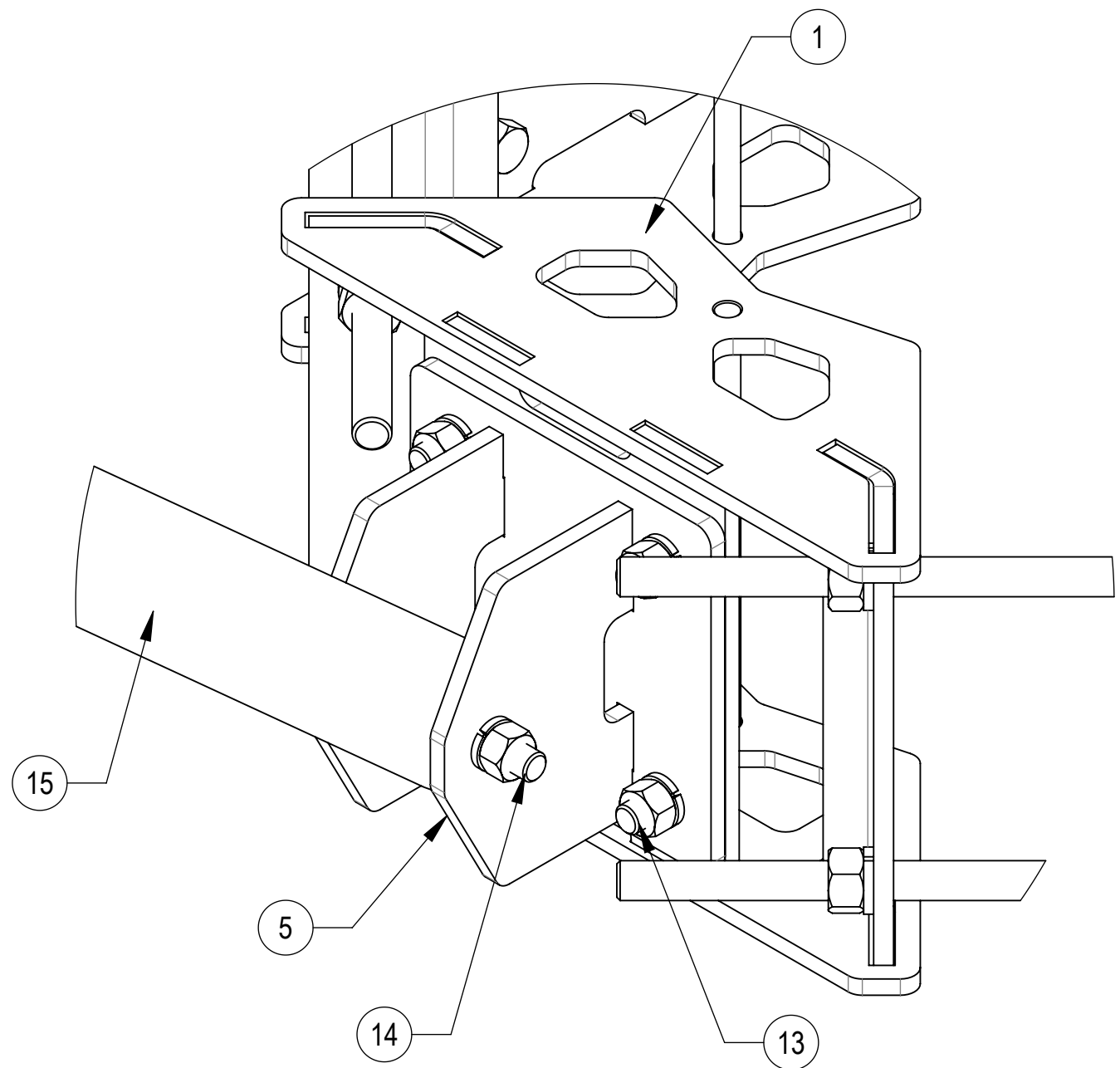
C

B

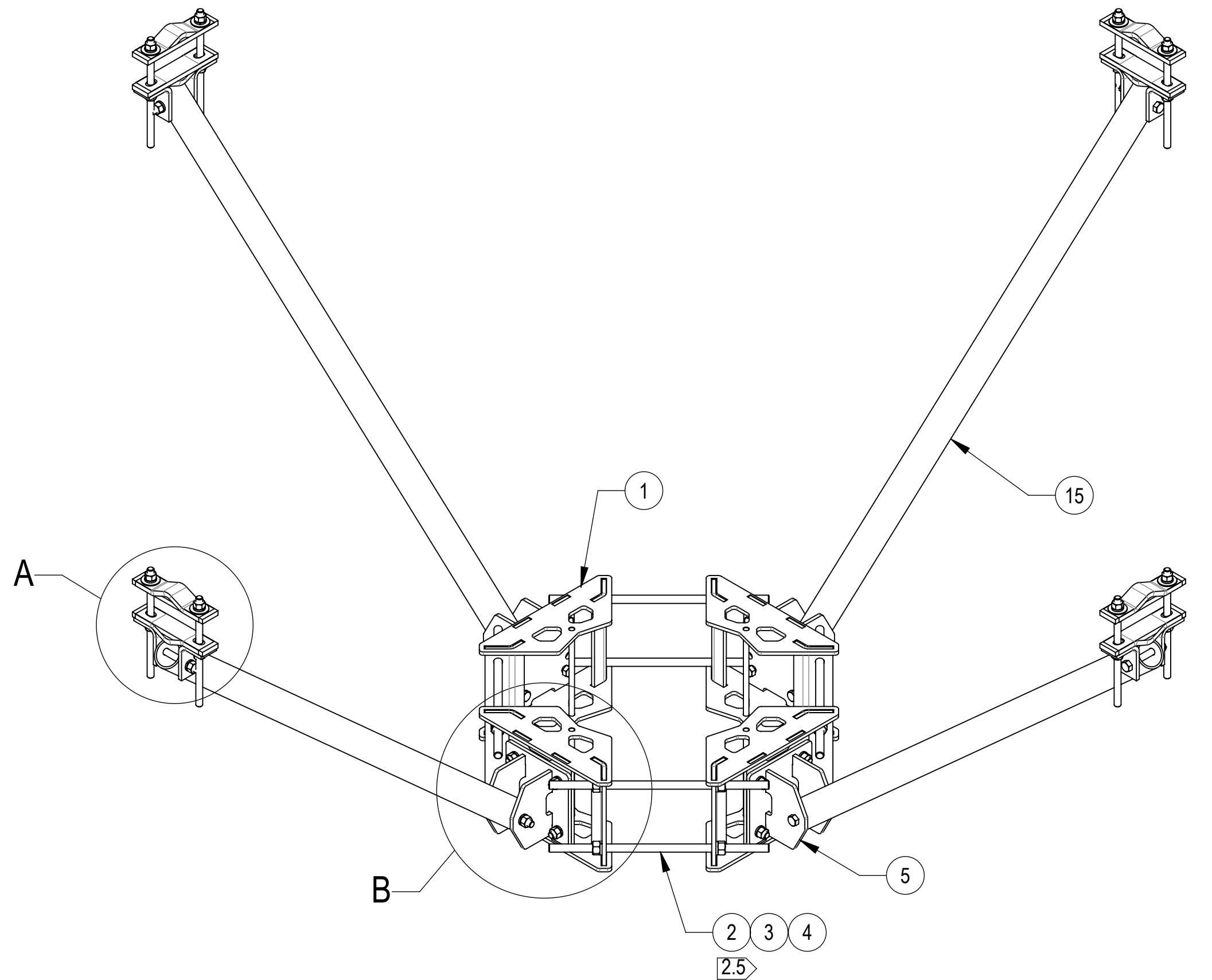
B

A

A



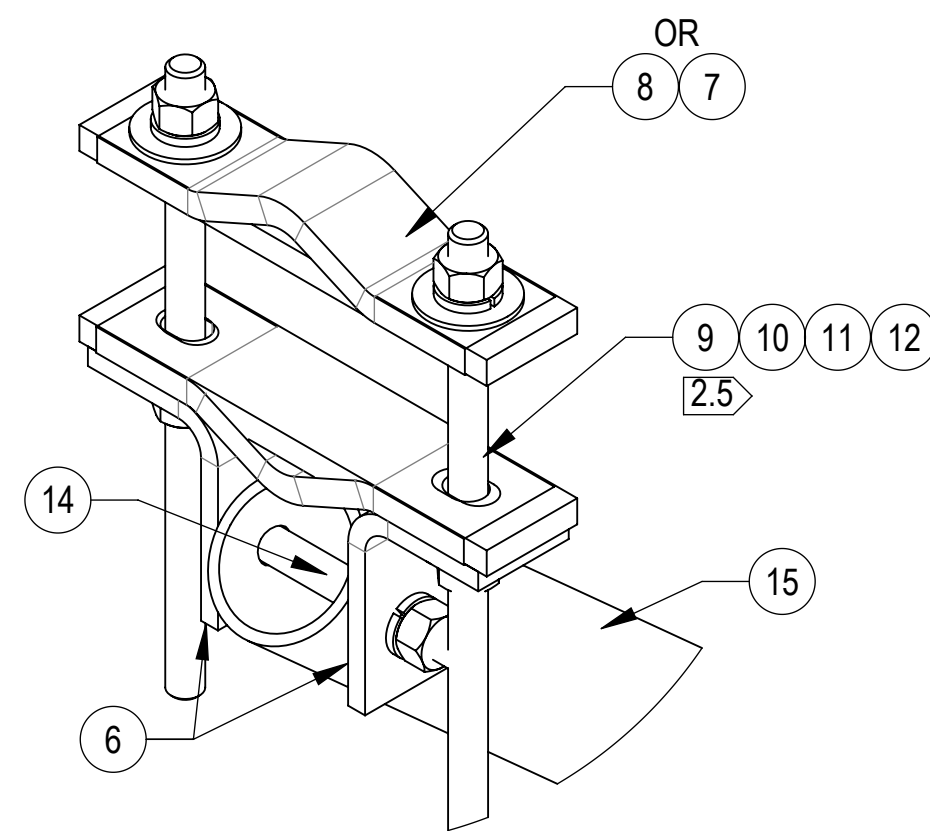
**DETAIL B**  
SCALE 1 : 3



**DETAIL A**  
SCALE 1 : 3

COMPONENT PART NUMBERS PROVIDED FOR ASSEMBLY PURPOSES;  
INDIVIDUAL COMPONENTS MAY BE SHIPPED AS PARTS WITHIN AN INCLUDED KIT.

ITEM	PART NO.	DESCRIPTION	QTY.	WEIGHT	NOTE NO.
1	RK1030401	RK 10-30 RM, 4 SECTOR WELDMENT	4	27.70 LBS	
2	MT38420	3/4" X 20" GALV THREADED ROD	8	2.49 LBS	2.5
3	GWL-06	3/4" GALV LOCK WASHER	16	0.04 LBS	
4	GN-06	3/4" GALV HEX NUT	16	0.15 LBS	
5	RK01	KICKER STANDOFF WELDMENT	4	12.54 LBS	
6	RK02	CONNECTION BRACKET	8	1.21 LBS	
7	MTC323704	CLAMP BAR	8	2.37 LBS	2.4
8	DCP10	CLAMP HALF:1/2", 11/16" HOLE,5-3/4"	8	2.21 LBS	2.3
9	MT-381	5/8" X 12" GALV THREADED ROD	8	1.04 LBS	2.5
10	GWF-05	5/8" GALV FLAT WASHER, 1.7OD	16	0.06 LBS	
11	GWL-05	5/8" GALV LOCK WASHER	16	0.03 LBS	
12	GN-05	5/8" GALV HEX NUT	16	0.08 LBS	
13	GB-0520A	5/8" X 2" GALV BOLT KIT (A325)	16	0.26 LBS	
14	GB-0550A	5/8" X 5" GALV BOLT KIT (A325)	8	0.52 LBS	
15	RK60	KICKER ARM SUPPORT TUBE 5'	4	28.73 LBS	



COMMSCOPE, INC. OF NORTH CAROLINA				
TITLE REINFORCEMENT KIT, 4-SECTOR, 60" ARM				
SIZE <b>C</b>	SCALE <b>1:10</b>	DOCUMENT NO. <b>RK-60-4S</b>		
DRAWING		VERSION	STATUS	REVISION
		01	RE	D
				SHEET 2 OF 2