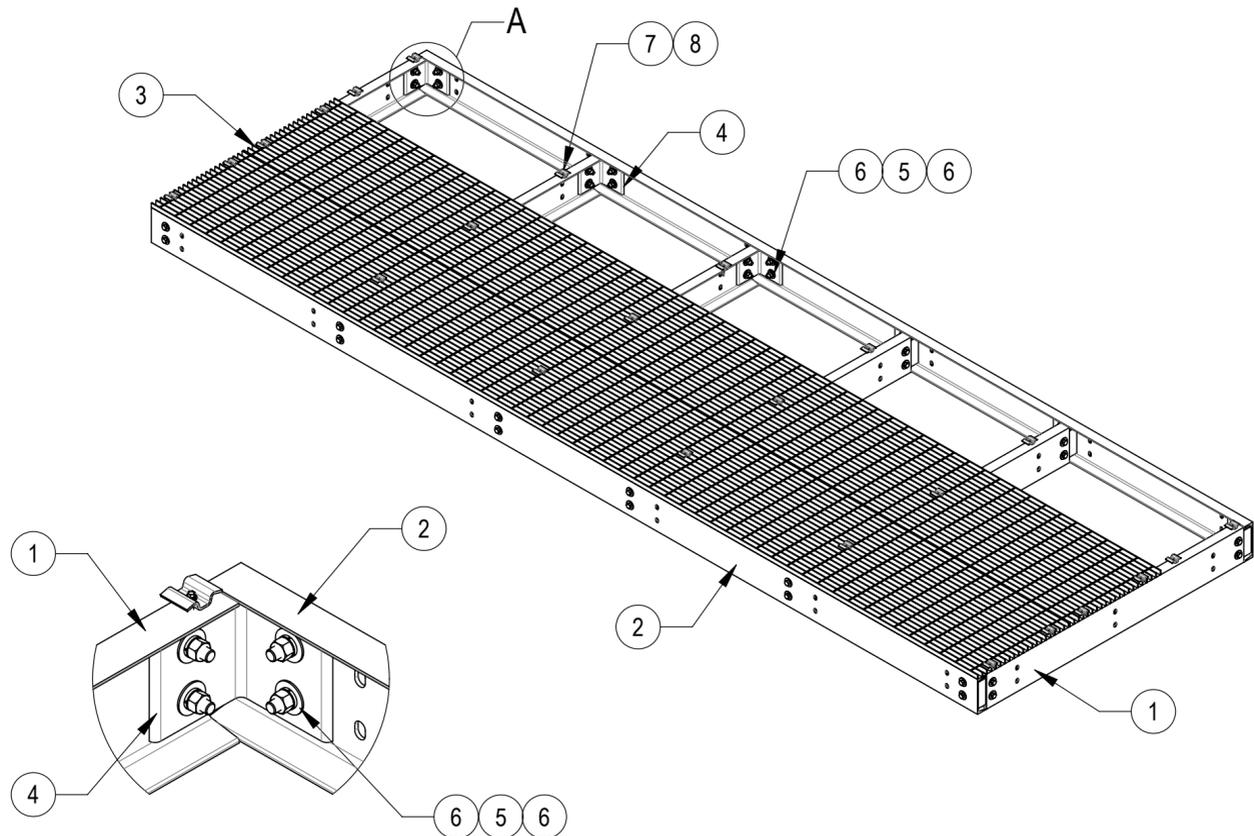
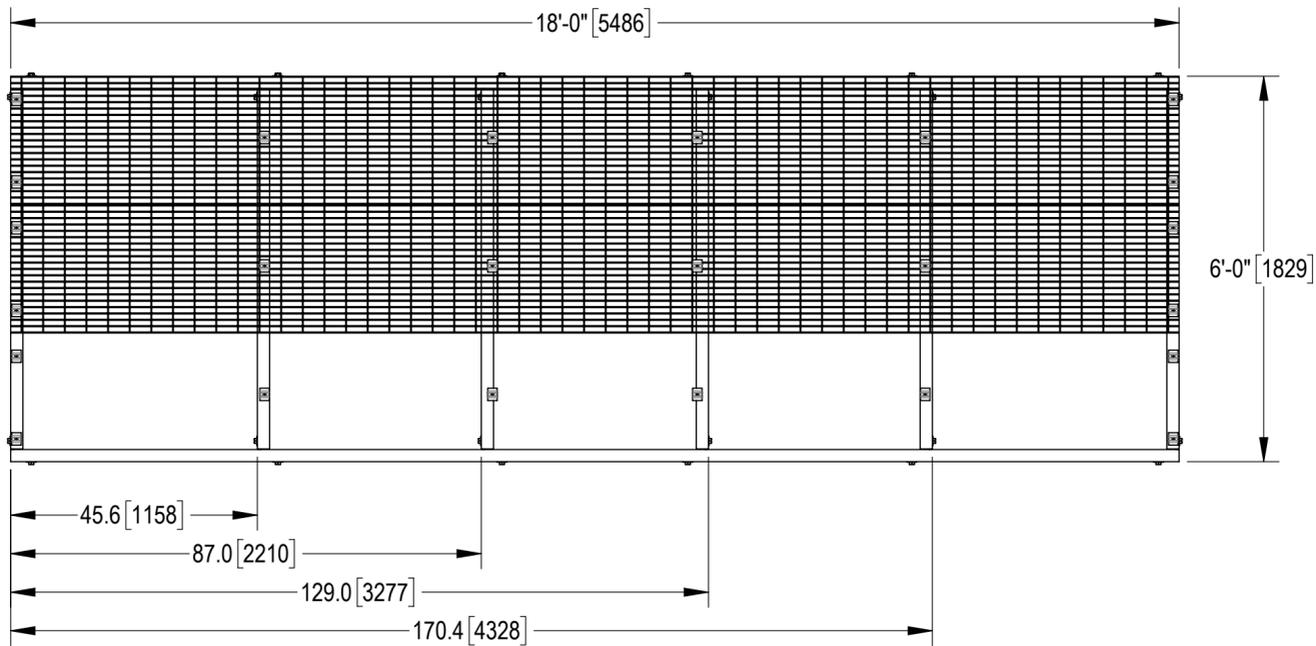
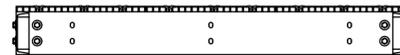
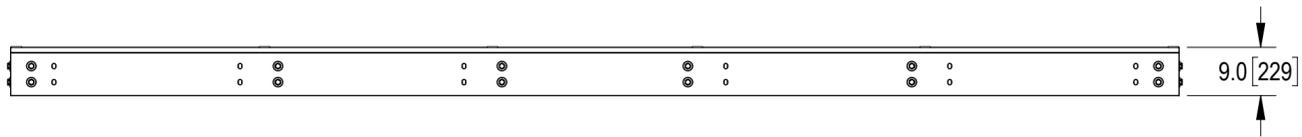


- 1.0 GENERAL NOTES
 - 1.1 ALL METRIC DIMENSIONS ARE IN BRACKETS [X.X]
 - 1.2 FOR PATENT INFO: <https://www.cs-pat.com>
- 2.0 DESIGN NOTES
- 3.0 MANUFACTURING/SPECIAL REQUIREMENTS
 - 3.1 TIGHTEN ALL BOLTS SECURING FLAT PLATES BY THE TURN-OF-NUT METHOD. TIGHTEN ALL U-BOLTS USING TURN-OF-NUT METHOD WITH ATTENTION TO LEAVE EQUAL DISTANCE AND EQUAL FORCE ON EACH LEG OF THE U-BOLT.
 - 3.2 BAR GRATING ALIGNED ACROSS CENTER CHANNELS.
- 4.0 TEST
- 5.0 PACKAGING
 - 5.1 PACKAGING SHALL MEET COMMSCOPE REQUIREMENTS PER DOCUMENT IS-PL-3005
 - 5.2 PRINTED DOCUMENT TO BE PLACED INSIDE POLYBAG AND THEN IN SHIPPING CONTAINER
 - 5.3 EXTRA HARDWARE MAY BE SUPPLIED, BAGGED AND SHIPPED

REVISIONS			
REV.	DESCRIPTION	DATE	APPROVED
A	INITIAL RELEASE	DRR 04APR12	TP
B	UPDATED DRAWING FORMAT; MTC390324 AND TS1220 WAS GCM03	LL1090 07MAR24	BCROSS 40190172CMO



DETAIL A
SCALE 1 : 6



HIDE BAR GRATING FOR CLARITY

COMPONENT PART NUMBERS PROVIDED FOR ASSEMBLY PURPOSES;
INDIVIDUAL COMPONENTS MAY BE SHIPPED AS PARTS WITHIN AN INCLUDED KIT.

ITEM NO.	PART NUMBER	DESCRIPTION	QTY.	WEIGHT	NOTE NO.
1	MTC8822061001	6' CENTER CHANNEL	6	63.61 LBS	
2	MTC7902101801	18' SIDE CHANNEL	2	204.61 LBS	
3	MTC7902101802	24" X 18' BAR GRATING	3	244.42 LBS	
4	MTC790203	CHANNEL ADAPTER ANGLE	12	7.07 LBS	
5	GB-05205	5/8" X 2" GALV BOLT KIT	48	0.26 LBS	
6	GW-05	5/8" GALV FLAT WASHER, 1.70D	96	0.06 LBS	
7	MTC390324	BAR GRATING CLIP	24	0.17 LBS	
8	TS1220	12-24 X 2" SELF DRILLING SCREW	24	0.03 LBS	

DENSITY	1636.80	lbs/in ³
MASS	5808.53	lbs
VOLUME	56841.86	in ³
SURFACE AREA		in ²
HEIGHT	9.0"	
LENGTH	216.0"	
WIDTH	72.0"	

COMMSCOPE, INC. OF NORTH CAROLINA				
TOLERANCES		SAP MATERIAL MASTER		
1 PLACE .X[X] ± 0.12[3.0]	3 PLACE .XXX[X] ± 0.031[0.8]	EQ-P0618-B		
2 PLACE .XX[X] ± 0.06[1.5]	ANGLES ± 2°			
FINISH		MATERIAL		
UNLESS OTHERWISE SPECIFIED DIMENSIONS ARE IN INCHES INTERPRET PER ANSI Y 14.5M-1994	NAME	DATE	TITLE	
	CE DRR	04APR12	6' X 18' EQUIPMENT PLATFORM BASE	
	RW LL1090	03/12/2024		
	AD YW1045	03/18/2024	SCALE	DOCUMENT NO.
	RE YMENG	04/02/2024	1:24	EQ-P0618-B
ECN 40190172CMO				
SIZE	Auth Group	INSL	MODEL	
C				
VERSION	STATUS	REVISION	DRAWING	
00	RE	A	VERSION STATUS REVISION	
			00 RE B	
			SHEET	
			1 OF 1	