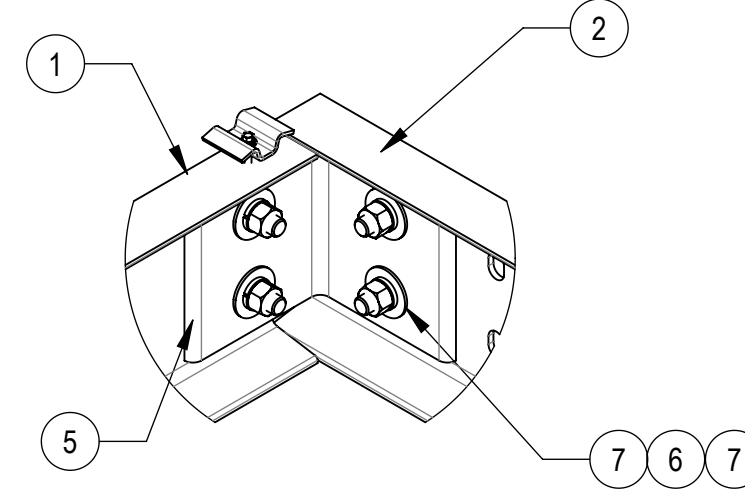
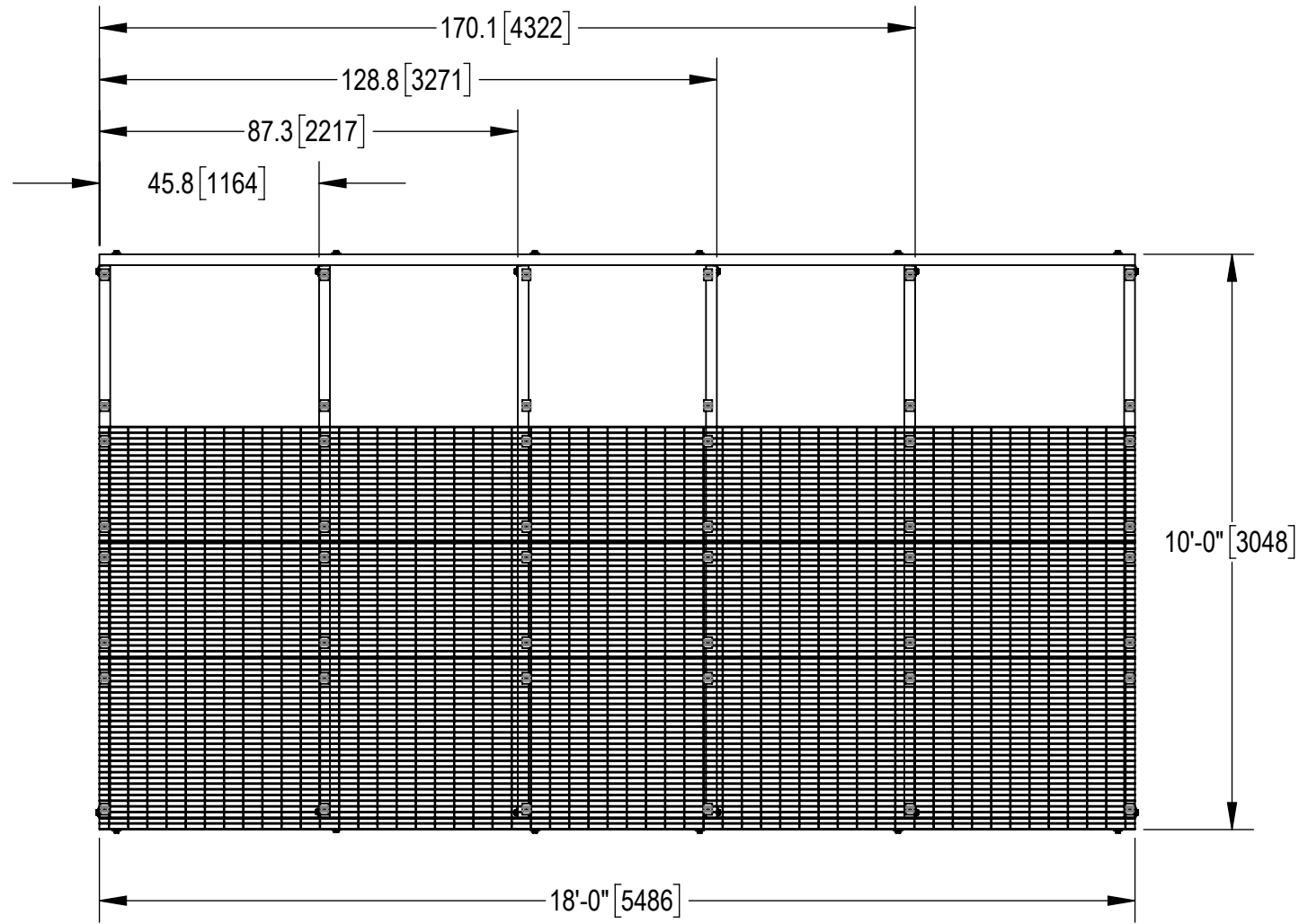
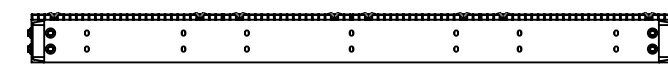
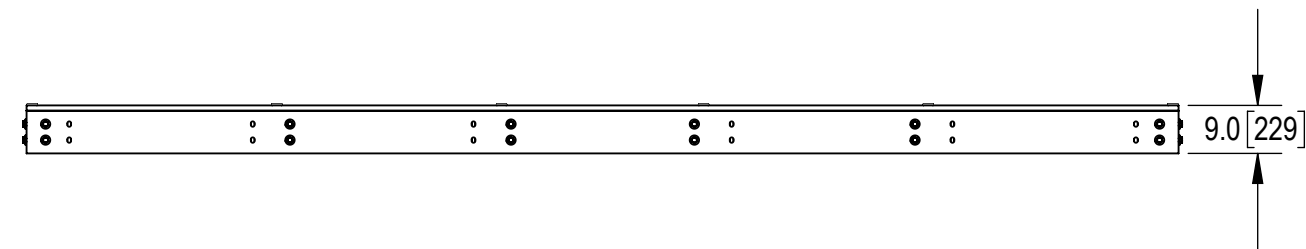
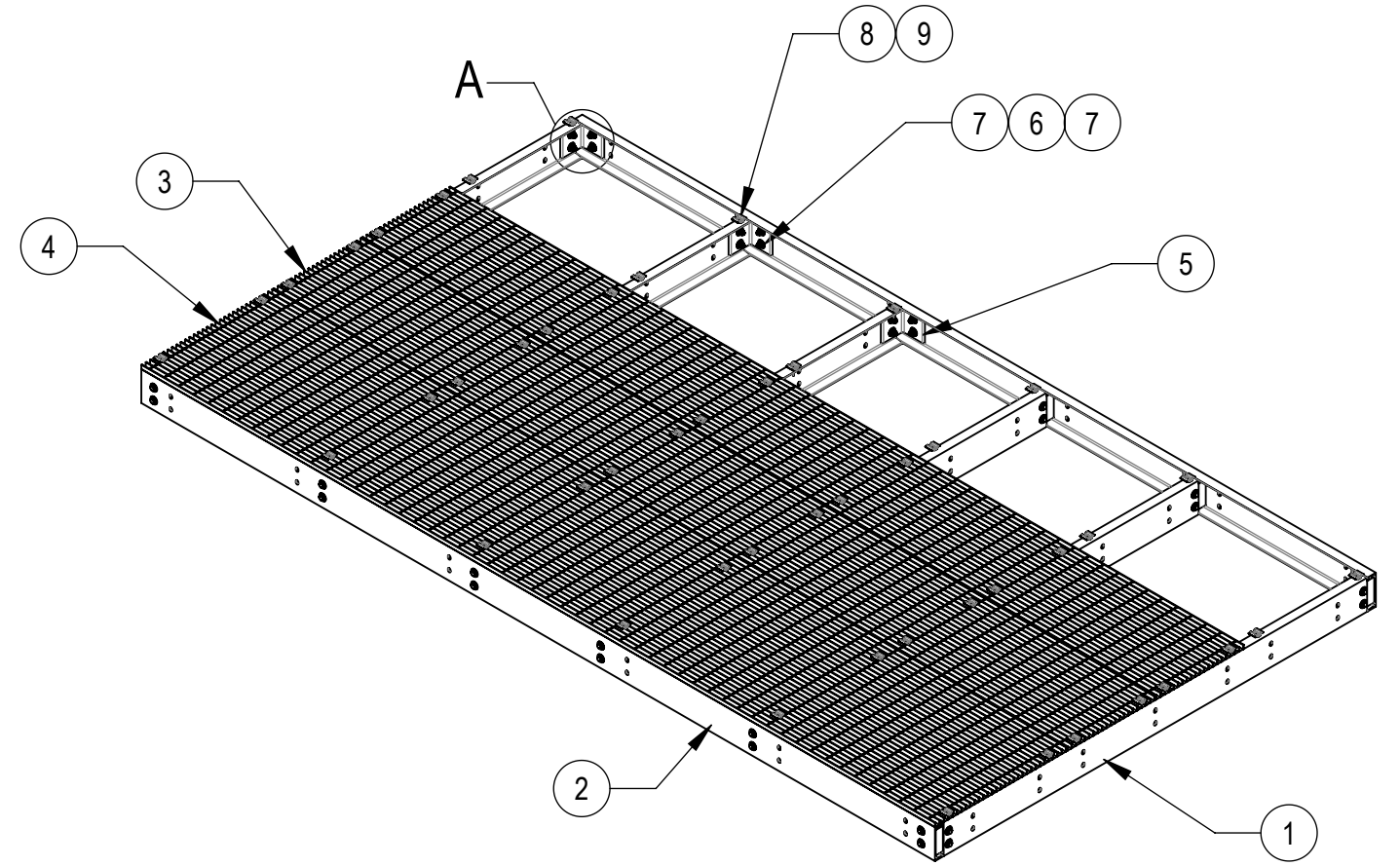


- 1.0 GENERAL NOTES
 - 1.1 ALL METRIC DIMENSIONS ARE IN BRACKETS [X.X]
 - 1.2 FOR PATENT INFO: <https://www.cs-pat.com>
- 2.0 DESIGN NOTES
- 3.0 MANUFACTURING/SPECIAL REQUIREMENTS
 - 3.1 TIGHTEN ALL BOLTS SECURING FLAT PLATES BY THE TURN-OF-NUT METHOD. TIGHTEN ALL U-BOLTS USING TURN-OF-NUT METHOD WITH ATTENTION TO LEAVE EQUAL DISTANCE AND EQUAL FORCE ON EACH LEG OF THE U-BOLT.
 - 3.2 BAR GRATING ALIGNED ACROSS CENTER CHANNELS.
- 4.0 TEST
- 5.0 PACKAGING
 - 5.1 PACKAGING SHALL MEET COMMSCOPE REQUIREMENTS PER DOCUMENT IS-PL-3005
 - 5.2 PRINTED DOCUMENT TO BE PLACED INSIDE POLYBAG AND THEN IN SHIPPING CONTAINER
 - 5.3 EXTRA HARDWARE MAY BE SUPPLIED, BAGGED AND SHIPPED

REV.	DESCRIPTION	DATE	APPROVED
A	INITIAL RELEASE	MSM 16MAR11	TP
B	UDPATE PLAN VIEWS	MSM 05APR12	TP
C	UPDATED DRAWING FORMAT; MTC390324 AND TS1220 WAS GCM03	LL1090 11MAR24	BCROSS 40190172CMO



DETAIL A
SCALE 1 : 6



COMPONENT PART NUMBERS PROVIDED FOR ASSEMBLY PURPOSES;
INDIVIDUAL COMPONENTS MAY BE SHIPPED AS PARTS WITHIN AN INCLUDED KIT.

ITEM NO.	PART NUMBER	DESCRIPTION	QTY.	WEIGHT	NOTE NO.
1	MTC7902101002	10' CENTER CHANNEL	6	108.98 LBS	
2	MTC7902101801	18' SIDE CHANNEL	2	204.61 LBS	
3	MTC7902101802	24" X 18' BAR GRATING	2	244.42 LBS	
4	MTC7902101803	36" X 18' BAR GRATING	2	362.47 LBS	
5	MTC790203	CHANNEL ADAPTER ANGLE	12	7.07 LBS	
6	GB-05205	5/8" X 2" GALV BOLT KIT	48	0.26 LBS	
7	GWF-05	5/8" GALV FLAT WASHER, 1.7OD	96	0.06 LBS	
8	MTC390324	BAR GRATING CLIP	48	0.17 LBS	
9	TS1220	12-24 X 2" SELF DRILLING SCREW	48	0.03 LBS	

DENSITY	2394.26	lbs/in ³
MASS	108.98	lbs
VOLUME	8485.56	in ³
SURFACE AREA	86025.19	in ²
HEIGHT	9.0"	
LENGTH	216.0"	
WIDTH	120.0"	

© 2024 CommScope, Inc. Confidential

HIDE BAR GRATING FOR CLARITY

COMMSCOPE, INC. OF NORTH CAROLINA

TOLERANCES		SAP MATERIAL MASTER	
1 PLACE .X[X] ± 0.12[3.0]	3 PLACE .XXX[X] ± 0.03[0.8]	EQ-P1018-B	
2 PLACE .XX[X] ± 0.06[1.5]	ANGLES ± 2°		
FINISH		MATERIAL	
UNLESS OTHERWISE SPECIFIED DIMENSIONS ARE IN INCHES INTERPRET PER ANSI Y 14.5M-1994		NAME	DATE
		CE MSM	16MAR11
		RW LL1090	03/12/2024
		AD YW1045	03/18/2024
RE YMENG	04/02/2024	10' X 18' EQUIPMENT PLATFORM BASE	
ECN 40190172CMO	SCALE	DOCUMENT NO.	
	1:36	EQ-P1018-B	
SIZE	Auth Group	INSL	MODEL
C			
VERSION	STATUS	REVISION	DRAWING
01	RE	C	01 RE C
			SHEET
			1 OF 1