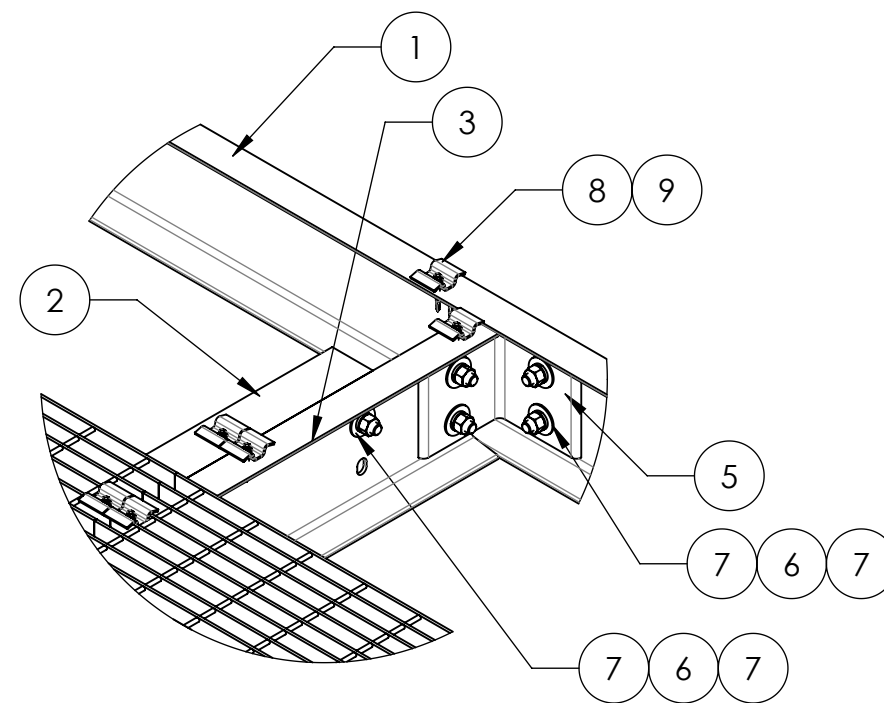
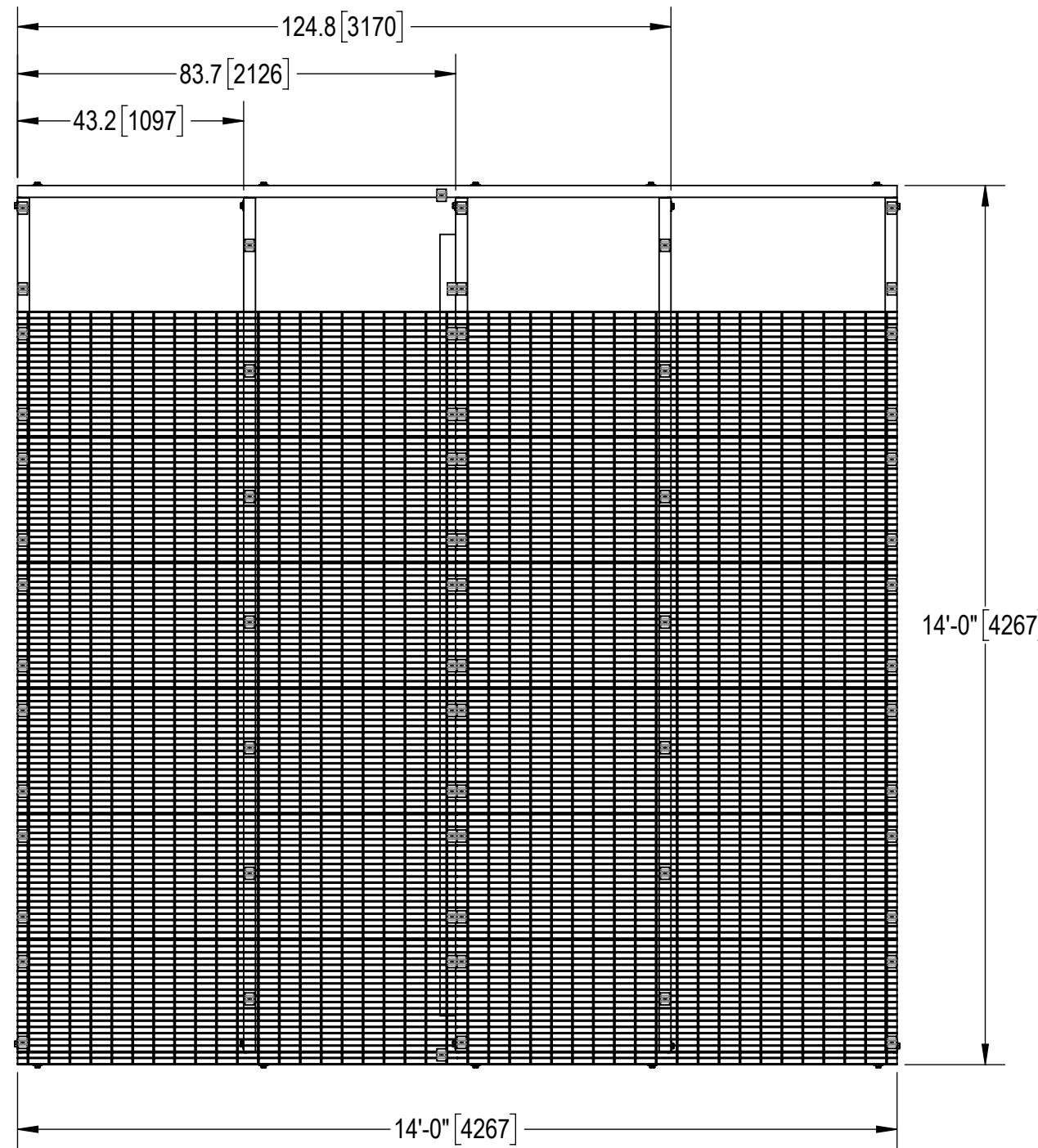
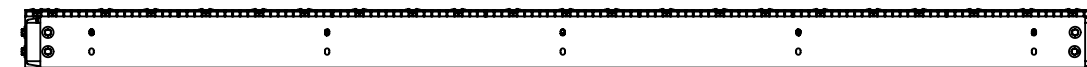
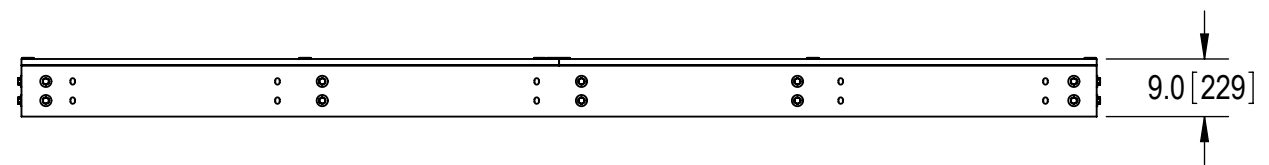
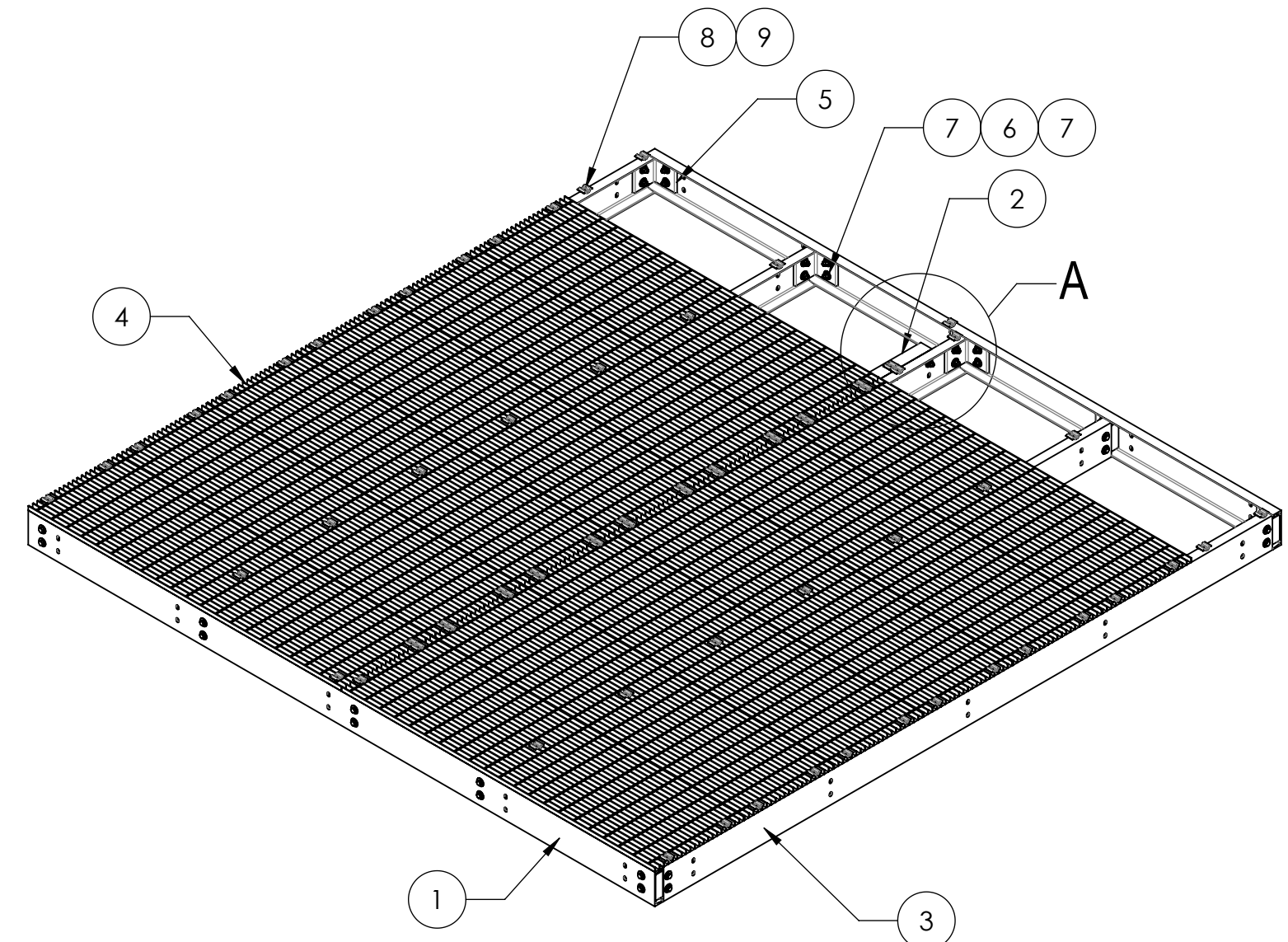


- 1.0 GENERAL NOTES
 1.1 ALL METRIC DIMENSIONS ARE IN BRACKETS [X.X]
 1.2 FOR PATENT INFO: <https://www.cs-pat.com>
 2.0 DESIGN NOTES
 3.0 MANUFACTURING/SPECIAL REQUIREMENTS
 3.1 TIGHTEN ALL BOLTS SECURING FLAT PLATES BY THE TURN-OF-NUT METHOD. TIGHTEN ALL U-BOLTS USING TURN-OF-NUT METHOD WITH ATTENTION TO LEAVE EQUAL DISTANCE AND EQUAL FORCE ON EACH LEG OF THE U-BOLT.
 3.2 BAR GRATING ALIGNED ACROSS CENTER CHANNELS.
 4.0 TEST
 5.0 PACKAGING
 5.1 PACKAGING SHALL MEET COMMSCOPE REQUIREMENTS PER DOCUMENT IS-PL-3005
 5.2 PRINTED DOCUMENT TO BE PLACED INSIDE POLYBAG AND THEN IN SHIPPING CONTAINER
 5.3 EXTRA HARDWARE MAY BE SUPPLIED, BAGGED AND SHIPPED

REVISIONS			
REV.	DESCRIPTION	DATE	APPROVED
A	INITIAL RELEASE	OGG 08/11/10	TP
B	UPDATE WEIGHT AND PLAN VIEWS	MSM 04/05/12	TP
C	UPDATED DRAWING TO NEW FORMAT; MTC390324 AND TS1220 WAS GCM03	RY1002 08MAR24	BCROSS 40190172CMO



DETAIL A
SCALE 1 : 10



HIDE BAR GRATING FOR CLARITY

COMPONENT PART NUMBERS PROVIDED FOR ASSEMBLY PURPOSES;
INDIVIDUAL COMPONENTS MAY BE SHIPPED AS PARTS WITHIN AN INCLUDED KIT.

ITEM	PART NO.	DESCRIPTION	QTY.	WEIGHT	NOTE NO.
1	MTC7902141401	14' SIDE CHANNEL	2	159.09 LBS	
2	MTC7902141402	GRATING SECTION BRACKET 14' CENTER	1	70.94 LBS	
3	MTC7902141602	14' CENTER CHANNEL	5	154.79 LBS	
4	MTC7902040703	24" X 84" BAR GRATING	14	99.01 LBS	
5	MTC790203	CHANNEL ADAPTER ANGLE	10	7.07 LBS	
6	GB-05205	5/8" X 2" GALV BOLT KIT	45	0.26 LBS	
7	GWf-05	5/8" GALV FLAT WASHER, 1.7OD	90	0.06 LBS	
8	MTC390324	BAR GRATING CLIP	70	0.17 LBS	
9	TS1220	12-24 X 2" SELF DRILLING SCREW	70	0.03 LBS	

DENSITY		lbs/in ³
MASS	2655.35	lbs
VOLUME	9423.05	in ³
SURFACE AREA	96725.22	in ²
HEIGHT	9.0"	
LENGTH	168.0"	
WIDTH	168.0"	

COMMSCOPE, INC. OF NORTH CAROLINA

TOLERANCES
 1 PLACE .X[X] ± 0.12[3.0] 3 PLACE .XXX[X] ± 0.03[0.8]
 2 PLACE .XX[X] ± 0.06[1.5] ANGLES ± 2°

SAP MATERIAL MASTER
EQ-P1414-B

FINISH: _____ MATERIAL: _____

NAME	DATE	TITLE
CE OCG	11aug10	14' X 14' PLATFORM
RW LL1090	03/15/2024	
AD YW1045	03/18/2024	
RE YMENG	04/02/2024	

SCALE: 1:30 DOCUMENT NO.: EQ-P1414-B

ECN 40190172CMO

SIZE	Auth Group	INSL	MODEL	DRAWING			SHEET		
C			VERSION	STATUS	REVISION	VERSION	STATUS	REVISION	1 OF 1
			01	RE	C	01	RE	C	