

TES-SS-SFK3-SL (V-BRACING KIT FOR SMALL LEGS)					
ITEM NO.	QTY.	PART NO.	DESCRIPTION	SHEET #	WT
1	1	BP9625-65	PL 3/8" X 9 5/8" X 6 1/2" A36 BENT PLATE	VBSM-SL-F1	12
2	1	BRKW-VBSM-SL	WELDMENT BRACKET	VBSM-SL-F3	11
3	2	L252525-8	L 2 1/2" X 2 1/2" X 1/4" X 8'-0" A36	VBSM-F5	67
4	4	BP6875-10	PL 1/4" X 6 7/8" X 10" A36 BENT PLATE	VBSM-F2	20
5	2	AL-333	L 3" X 3" X 1/4" X 3" A36	VBSM-F2	3
6	4	---	THREADED ROD 5/8" DIA. X 1'-0" Fy= 36KSI HDG	---	---
7	4	---	THREADED ROD 5/8" DIA. X 10" Fy= 36KSI HDG	---	---
8	1	---	BOLT 5/8" X 2 1/4" A325	---	---
9	4	---	BOLT 5/8" X 1 3/4" A325	---	---
10	21	FW-625	5/8" HDG USS FLAT WASHER	---	2
11	21	LW-625	5/8" HDG LOCK WASHER	---	0
12	21	NUT-625	5/8" HDG HEX NUT	---	2
GALVANIZED WT					117

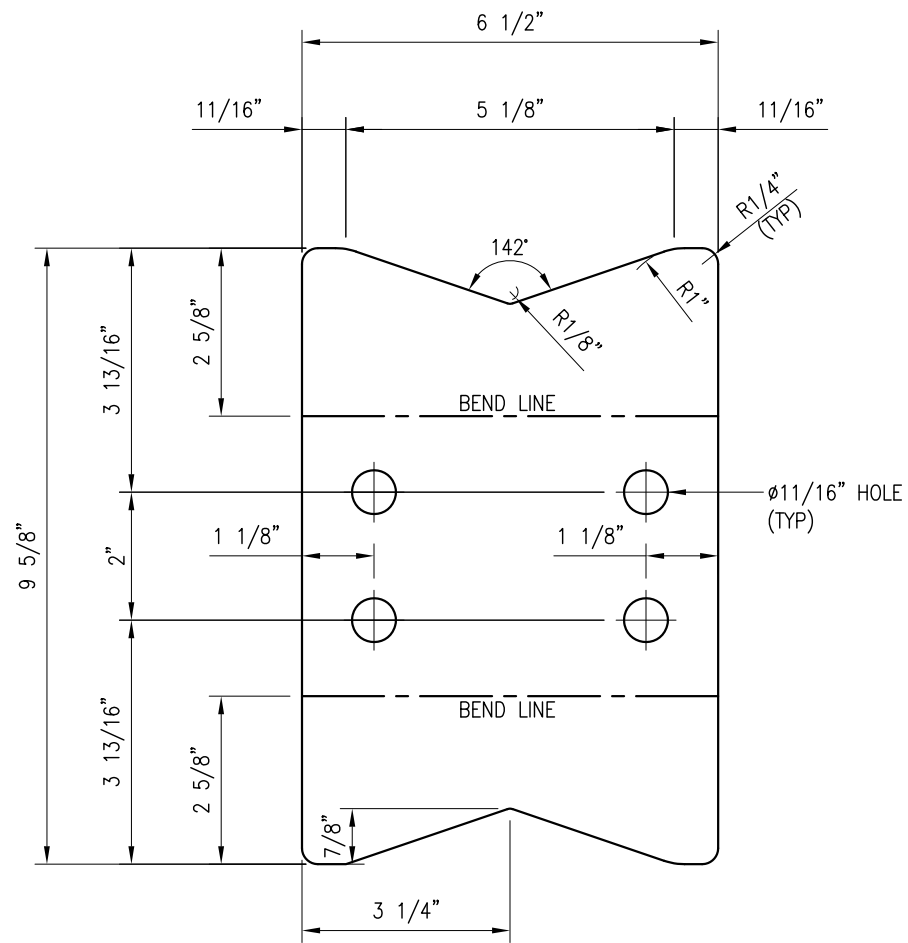
NOTES:
1. HOT-DIPPED GALVANIZED PER ASTM A123.

DRAWN BY: SP CHECKED BY: KW/FL

REV.	DESCRIPTION	BY	DATE
1	FIRST ISSUE	SP	07/18/23

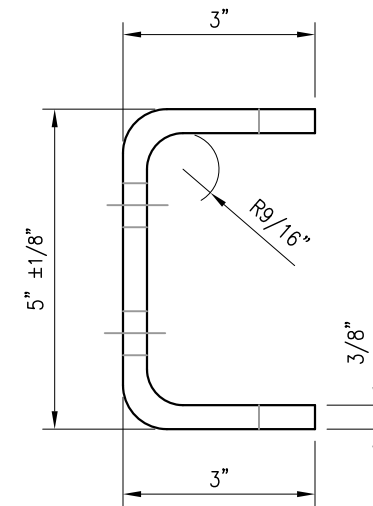
SHEET TITLE:
TES-SS-SFK3-SL
V-BRACING KIT
FOR SMALL LEGS

SHEET NUMBER: TES-SS-SFK3-SL REV #: 0



BEFORE BENDING

BP9625-65
 PL 3/8" X 9 5/8" X 6 1/2" A36 BENT PLATE
 (6.75 LBS)



AFTER BENDING

NOTES:
 1. HOT-DIPPED GALVANIZED PER ASTM A123.

DRAWN BY: SP CHECKED BY: KW/FL

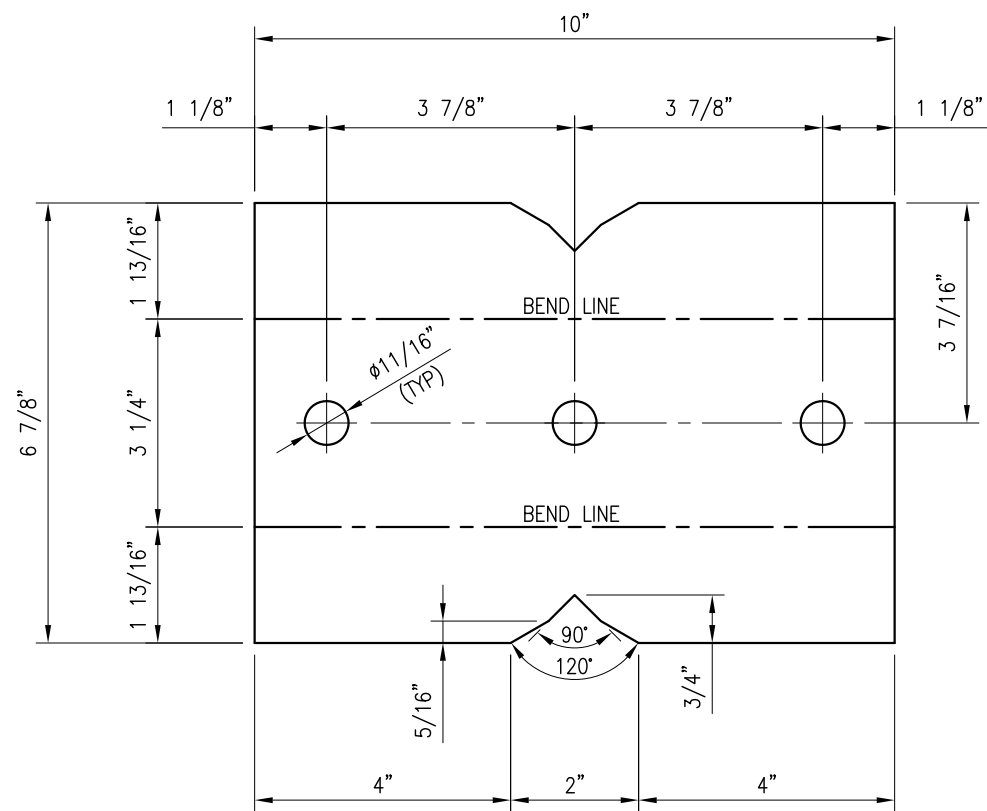
REV.	DESCRIPTION	BY	DATE
1	FIRST ISSUE	SP	07/18/23

SHEET TITLE:

FABRICATION DETAILS

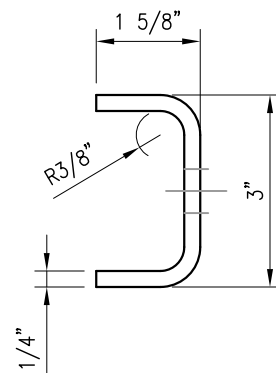
SHEET NUMBER: REV #:

VBSM-SL-F1 0

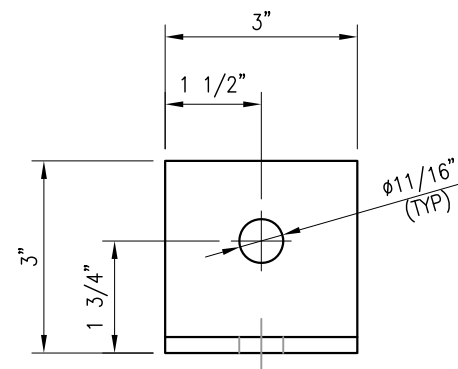


BEFORE BENDING

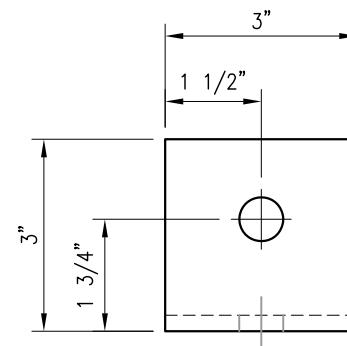
BP6875-10
 PL 1/4" X 6 7/8" X 10" A36 BENT PLATE
 (4.97 LBS)



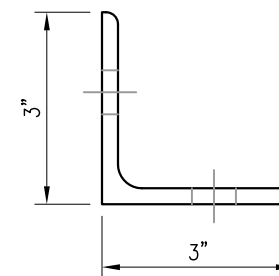
AFTER BENDING



PLAN VIEW



FRONT VIEW



SIDE VIEW

AL-333
 L 3" X 3" X 1/4" X 3" A36
 (1.25 LBS)

NOTES:
 1. HOT-DIPPED GALVANIZED PER ASTM A123.

DRAWN BY: SP CHECKED BY: KW/FL

REV.	DESCRIPTION	BY	DATE
1	FIRST ISSUE	SP	07/18/23

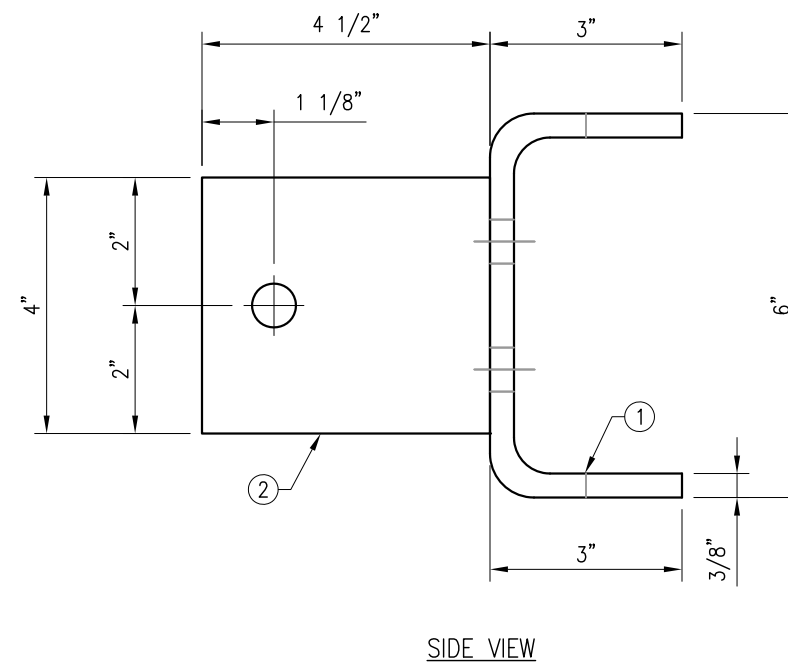
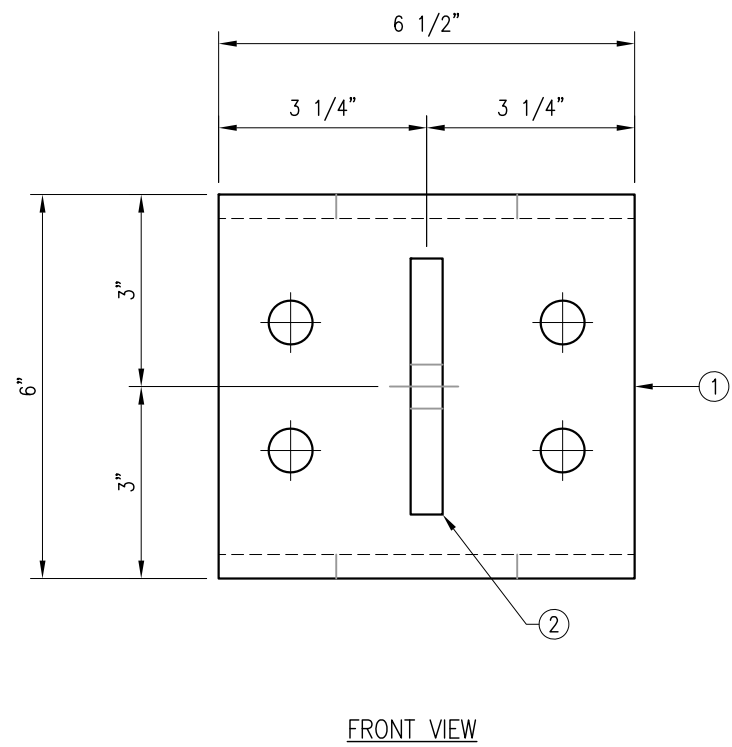
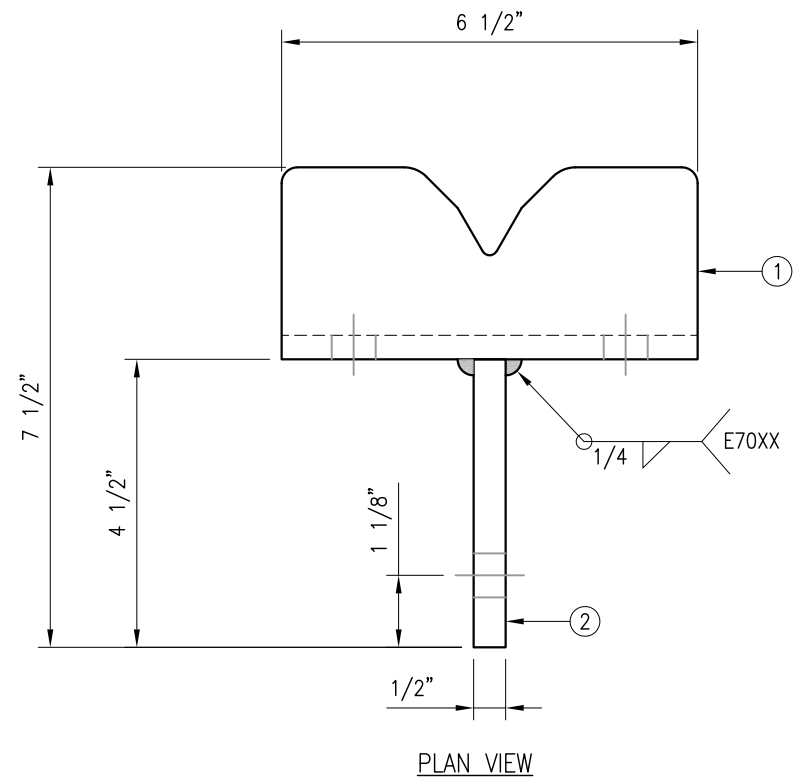
SHEET TITLE:

FABRICATION DETAILS

SHEET NUMBER: VBSM-F2 REV #: 0

BRKW-VBSM-SL WELDMENT

ITEM NO.	QTY.	PART NO.	DESCRIPTION	GRADE	SHEET #	WT	
1	1	BP10625-65	PL 3/8" X 10 5/8" X 6 1/2"	A36	VBSM-SL-F4	7.5	
2	1	PL500-4425	PL 1/2" X 4" X 0'-4 1/2"	A572	VBSM-SL-F4	2.58	
						BLACK WT	10.0
						GALVANIZED WT	11



BRKW-VBSM-SL
WELDMENT BRACKET
(11 LBS)

NOTES:
1. HOT-DIPPED GALVANIZED PER ASTM A123.

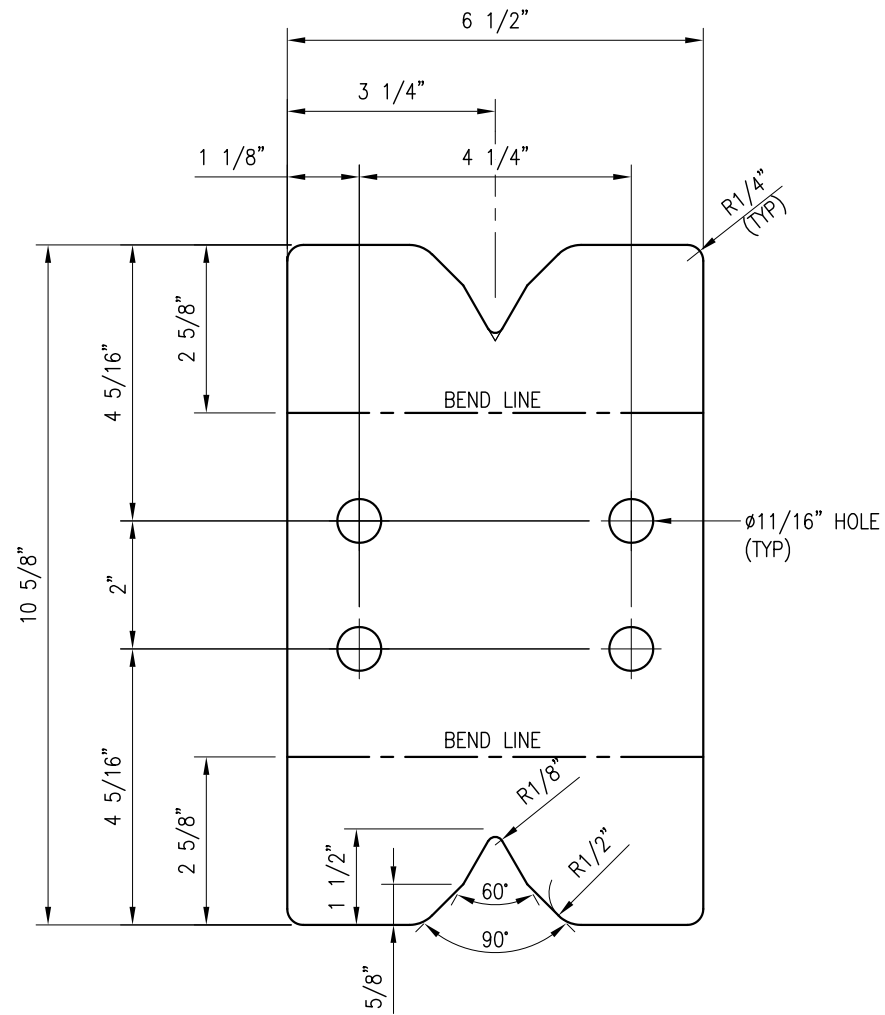
DRAWN BY: SP CHECKED BY: KW/FL

REV.	DESCRIPTION	BY	DATE
△	FIRST ISSUE	SP	07/18/23
△			
△			
△			

SHEET TITLE:

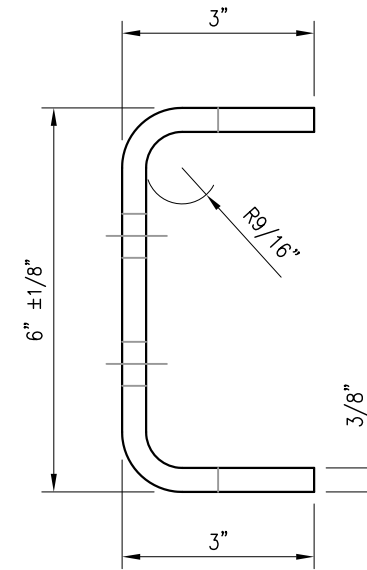
FABRICATION DETAILS

SHEET NUMBER: VBSM-SL-F3	REV #: 0
-----------------------------	-------------

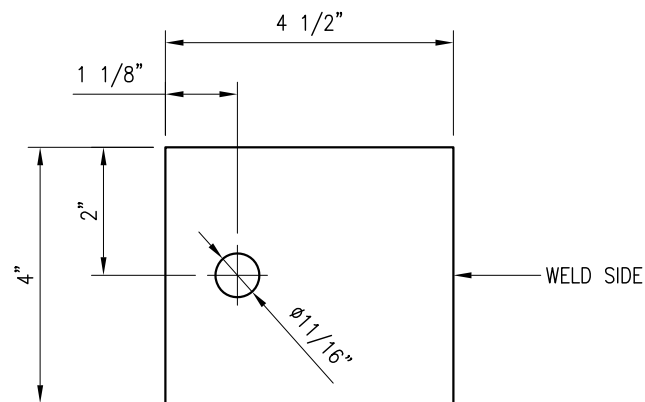


BEFORE BENDING

BP10625-65
 PL 3/8" X 10 5/8" X 6 1/2" A36 BENT PLATE
 (7.45 LBS)



AFTER BENDING



PL500-4425
 PL 1/2" X 4" X 4 1/2" A36
 (2.58 LBS)

NOTES:
 1. HOT-DIPPED GALVANIZED PER ASTM A123.

DRAWN BY: SP CHECKED BY: KW/FL

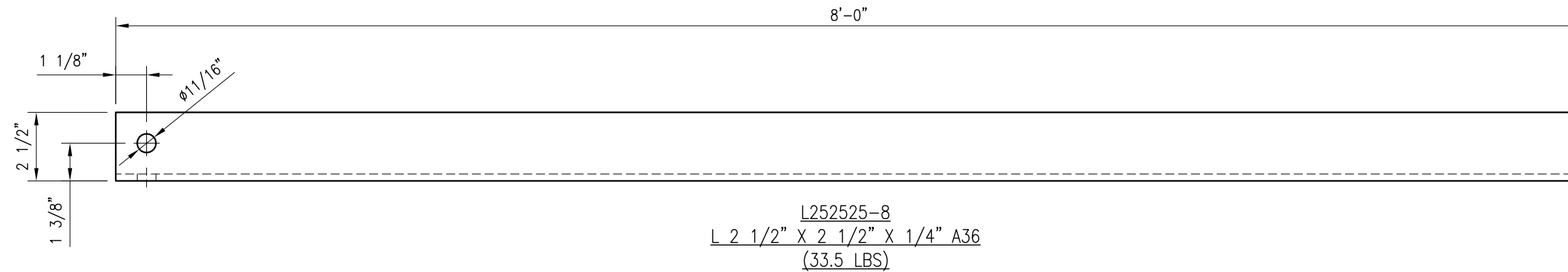
REV.	DESCRIPTION	BY	DATE
△	FIRST ISSUE	SP	07/18/23
△			
△			
△			

SHEET TITLE:

FABRICATION DETAILS

SHEET NUMBER: REV #:

VBSM-SL-F4 0



NOTES:
1. HOT-DIPPED GALVANIZED PER ASTM A123.

DRAWN BY: SP CHECKED BY: KW/FL

REV.	DESCRIPTION	BY	DATE
1	FIRST ISSUE	SP	07/18/23

SHEET TITLE:

FABRICATION DETAILS

SHEET NUMBER: VBSM-F5 REV #: 0