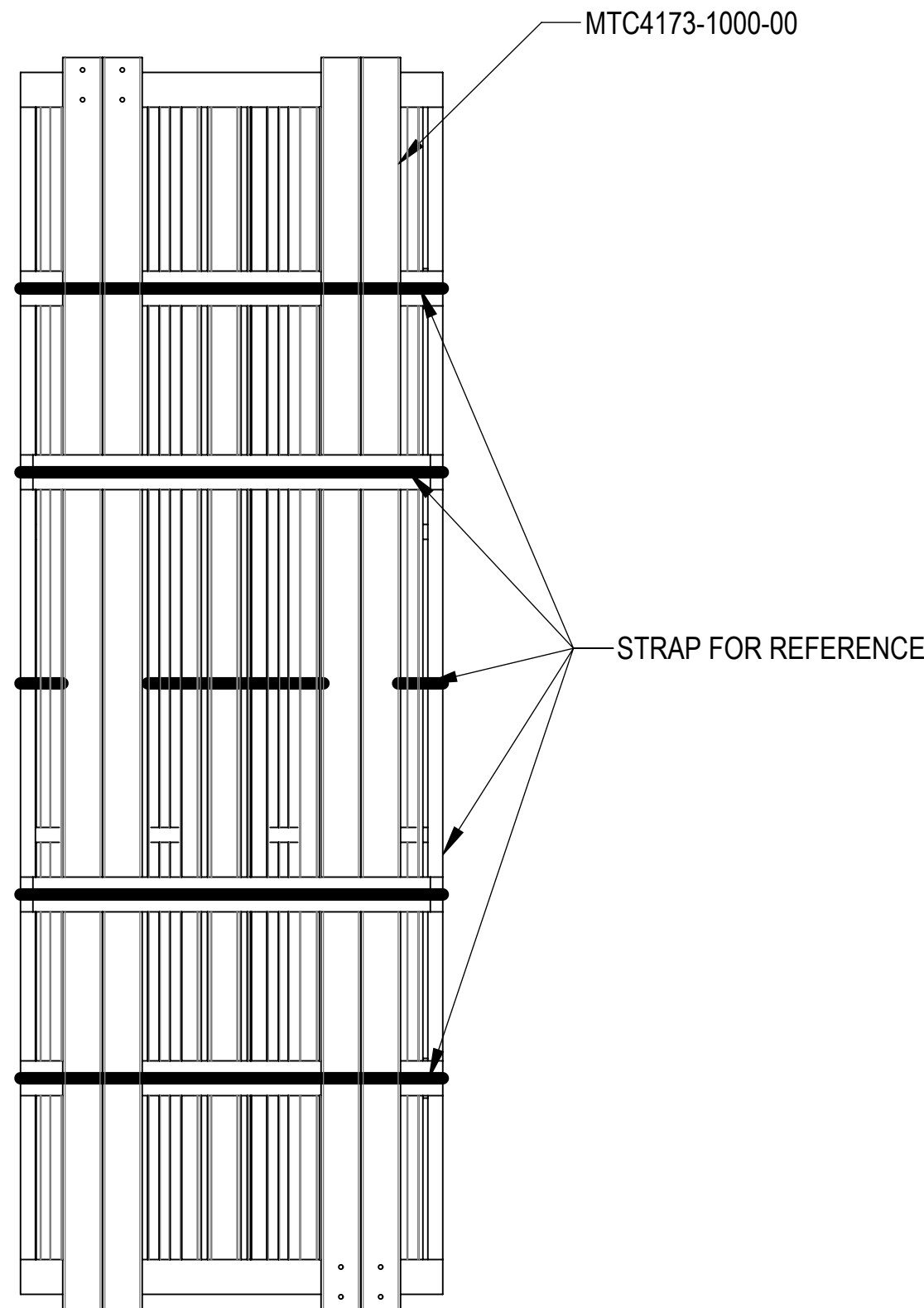
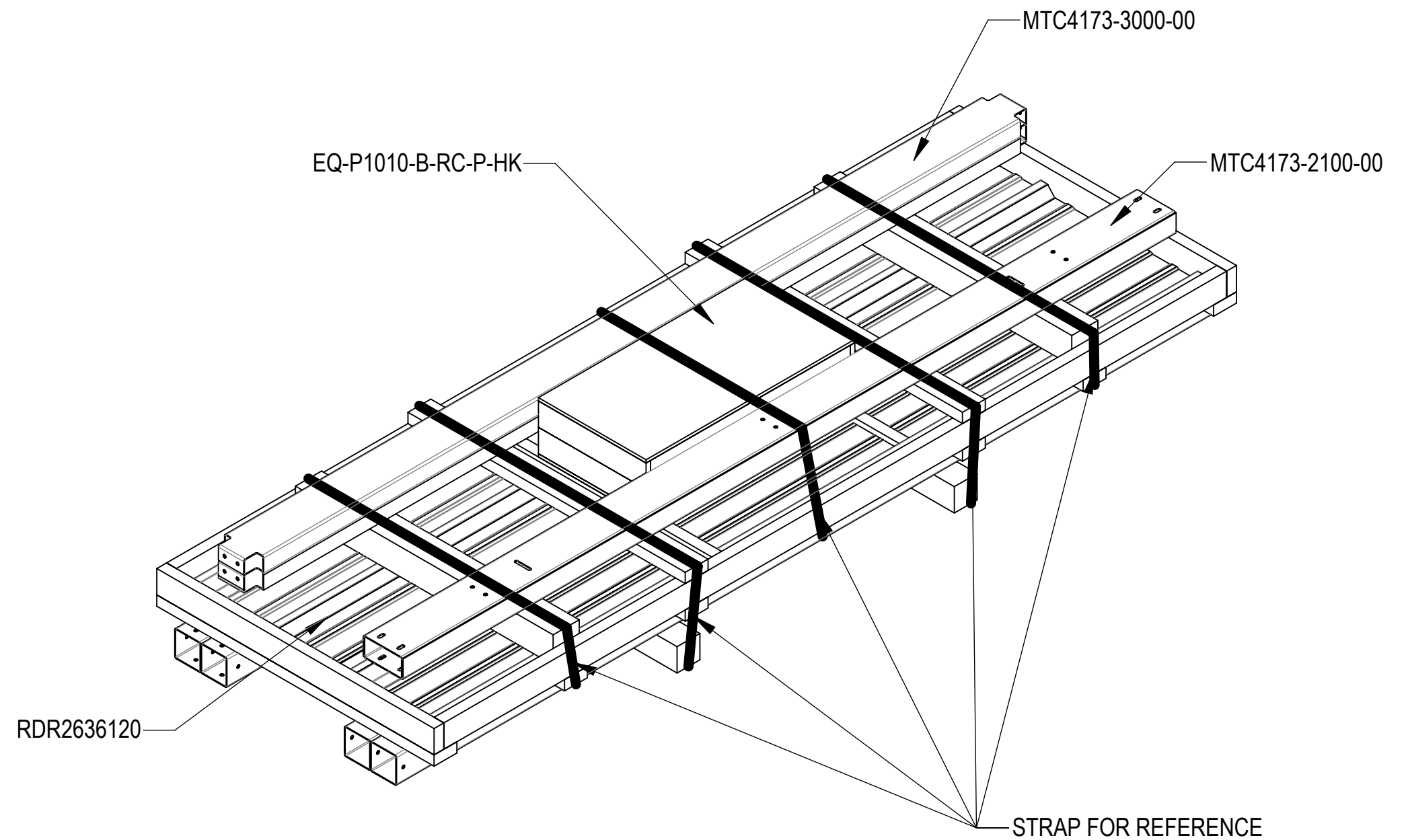


- 1.0 GENERAL NOTES
  - 1.1 ALL METRIC DIMENSIONS ARE IN BRACKETS [X.X]
  - 1.2 FOR PATENT INFO: <https://www.cs-pat.com>
- 2.0 DESIGN NOTES
  - 2.1 ANY HAZARDS OR OBSTRUCTIONS TO THE CLIMBING FACILITY AND SAFETY CLIMB MUST BE IDENTIFIED PRIOR TO INSTALLING THE APPURTENANCE. ADDITIONAL PRODUCTS MAY BE REQUIRED TO MAINTAIN THE INTEGRITY OF THE SAFETY CLIMB. DURING INSTALLATION, TEMPORARY AND/OR PERMANENT PRECAUTIONARY MEASURES SHOULD BE TAKEN TO PRESERVE THE CLIMBING FACILITY AND/OR SAFETY CLIMB.
- 3.0 MANUFACTURING/SPECIAL REQUIREMENTS
  - 3.1 TIGHTEN ALL BOLTS SECURING FLAT PLATES BY THE TURN-OF-NUT METHOD. TIGHTEN ALL U-BOLTS USING TURN-OF-NUT METHOD WITH ATTENTION TO LEAVE EQUAL DISTANCE AND EQUAL FORCE ON EACH LEG OF THE U-BOLT.
- 4.0 TEST
- 5.0 PACKAGING
  - 5.1 PACKAGING SHALL MEET COMMSCOPE REQUIREMENTS PER DOCUMENT IS-PL-3005
  - 5.2 PRINTED DOCUMENT TO BE PLACED INSIDE POLYBAG AND THEN IN SHIPPING CONTAINER
  - 5.3 EXTRA HARDWARE MAY BE SUPPLIED, BAGGED AND SHIPPED

REVISIONS			
REV.	DESCRIPTION	DATE	APPROVED
A	INITIAL RELEASE	YMENG 14MAR24	YW1047 40190786CMO



BOTTOM VIEW



PACKAGE

<b>COMMSCOPE, INC. OF NORTH CAROLINA</b>									
TOLERANCES					SAP MATERIAL MASTER				
1 PLACE .X[X] ± 0.2[6.3]			3 PLACE .XXX[X] ± 0.060[1.5]		<b>EQ-P1010-B-RC-P</b>				
2 PLACE .XX[X] ± 0.12[3.0]			ANGLES ± 2°						
FINISH					MATERIAL				
<b>10'X10' RAIN CANOPY, ON EQ. PLATFORM</b>									
UNLESS OTHERWISE SPECIFIED DIMENSIONS ARE IN INCHES INTERPRET PER ANSI Y 14.5M-1994		NAME		DATE		TITLE			
		CE YMENG		14MAR24		SCALE: <b>1:16</b> DOCUMENT NO.: <b>EQ-P1010-B-RC-P</b>			
		RW YMENG		03/21/2024					
		AD YW1047		03/21/2024					
		RE YMENG		03/21/2024					
ECN 40190786CMO									
SIZE		Auth Group		INSL		MODEL		DRAWING	
<b>C</b>						VERSION		STATUS	
						00		RE	
						A		00	
						RE		A	
								1 OF 4	

DENSITY		lbs/in <sup>3</sup>
MASS	723.05	lbs
VOLUME	2555.66	in <sup>3</sup>
SURFACE AREA	75071.57	in <sup>2</sup>
HEIGHT	139.8"	
LENGTH	125.6"	
WIDTH	120.0"	

4 3 2 1

D

D

C

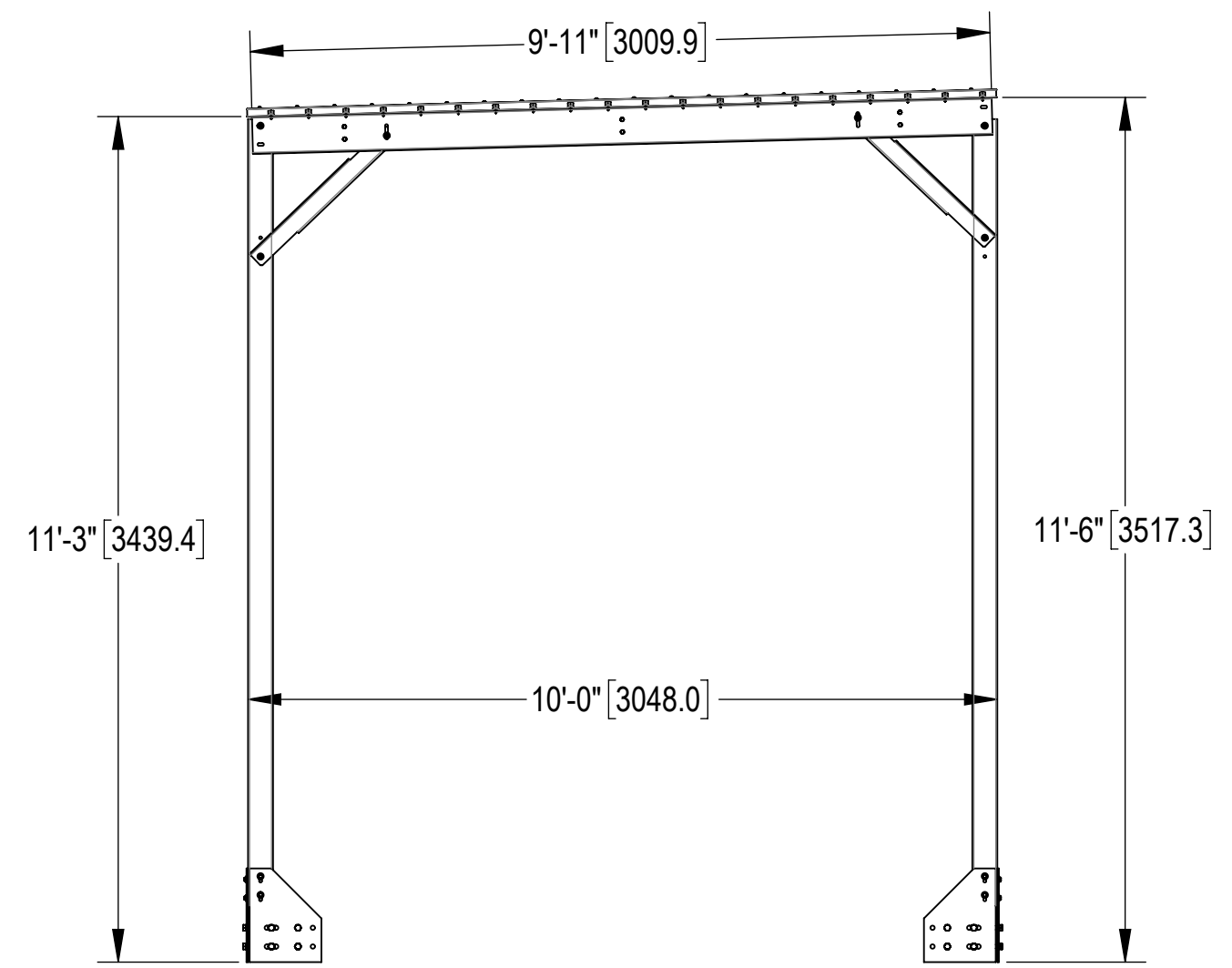
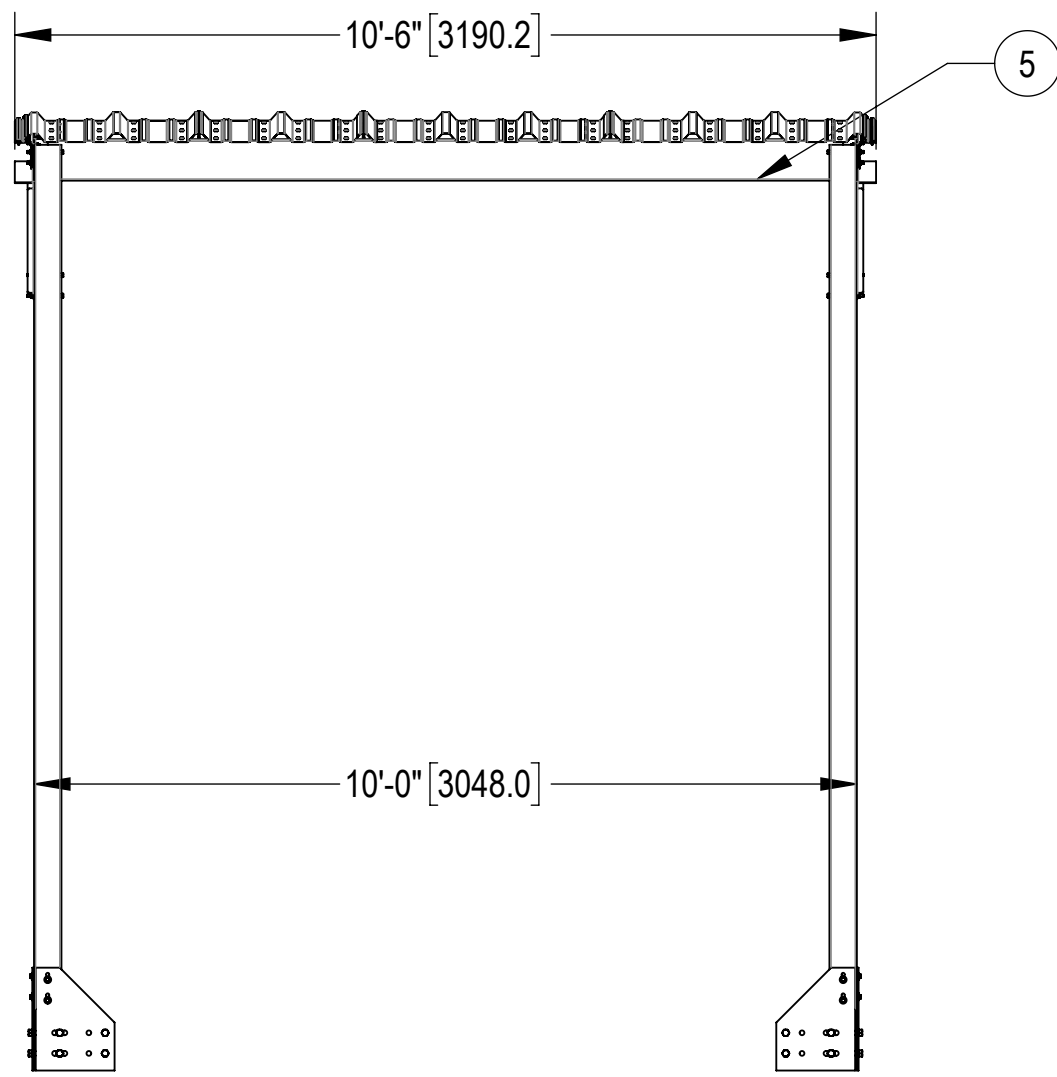
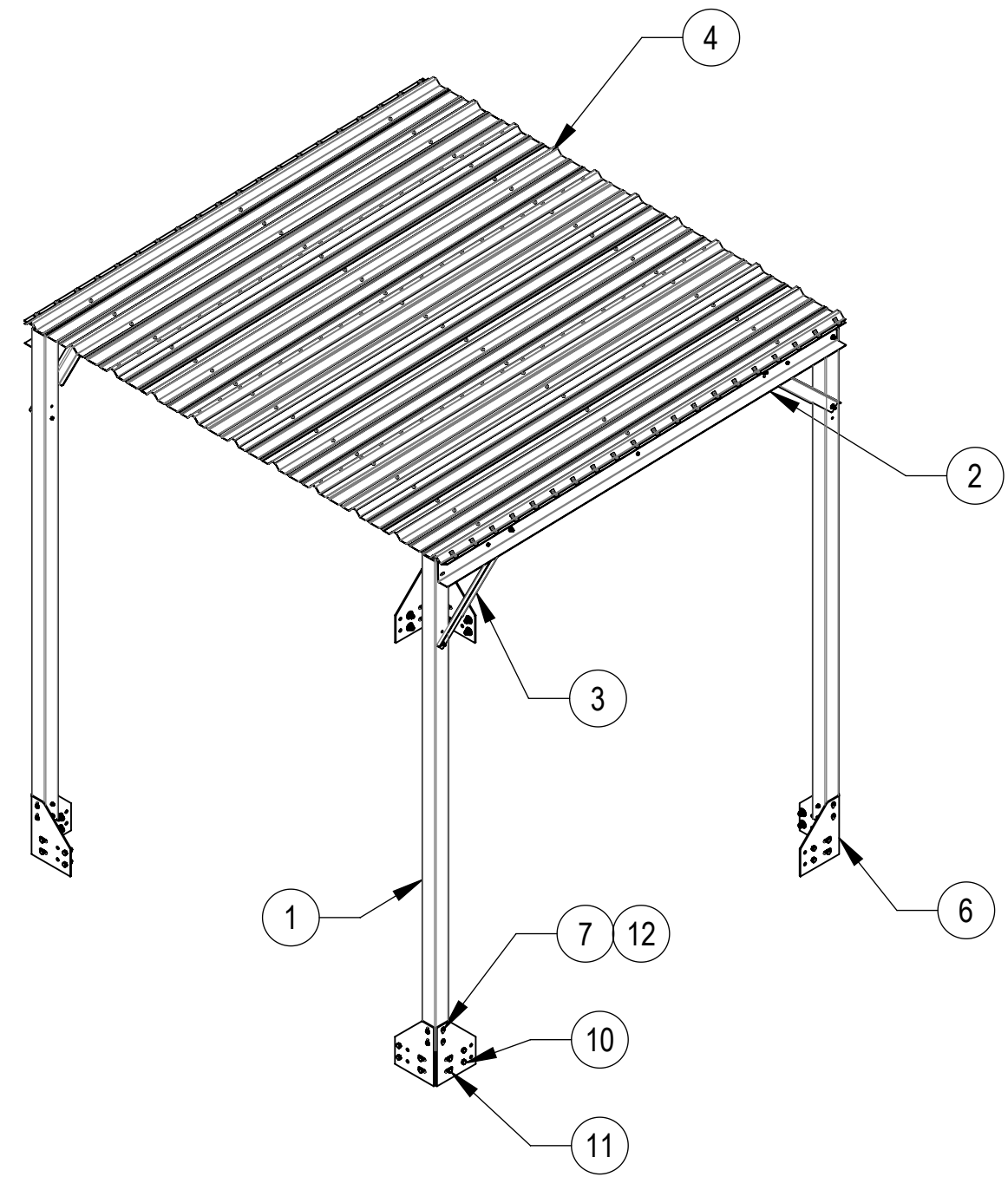
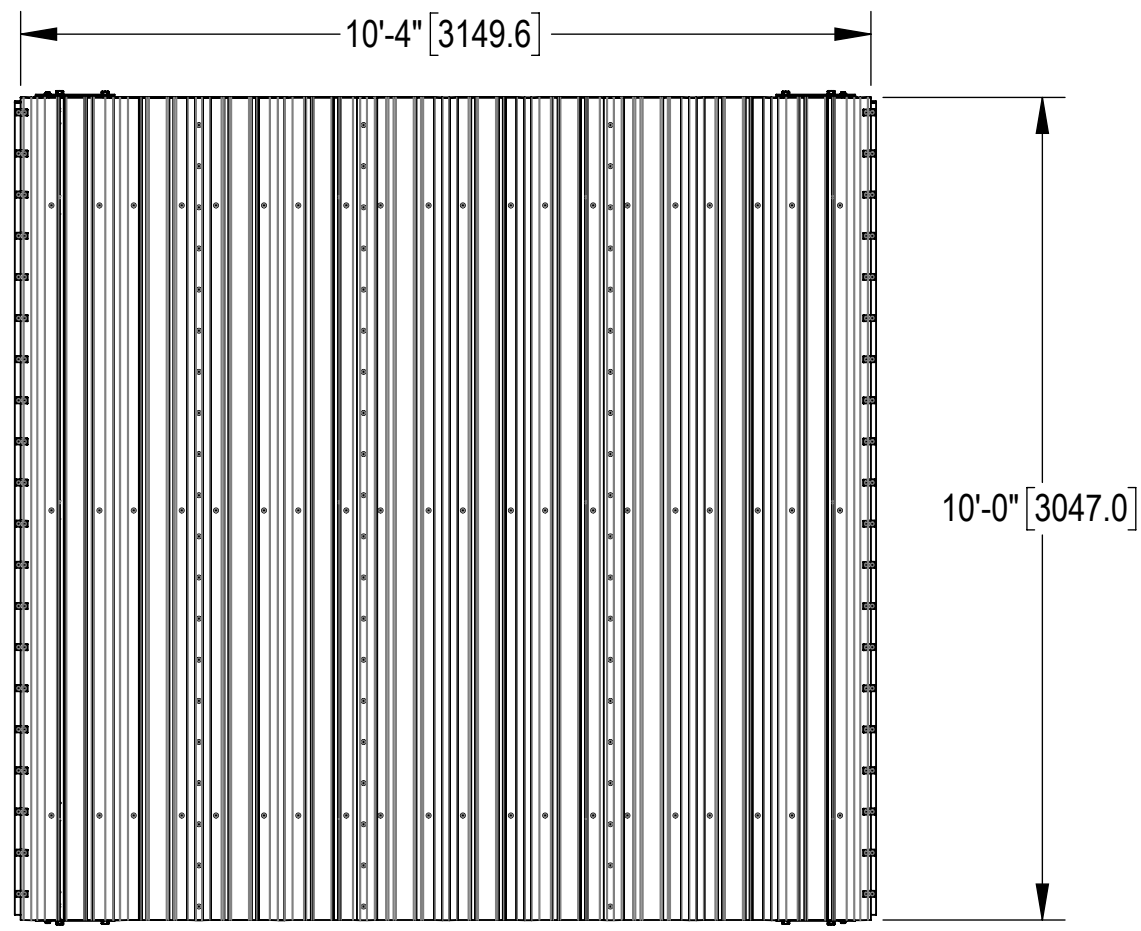
C

B

B

A

A



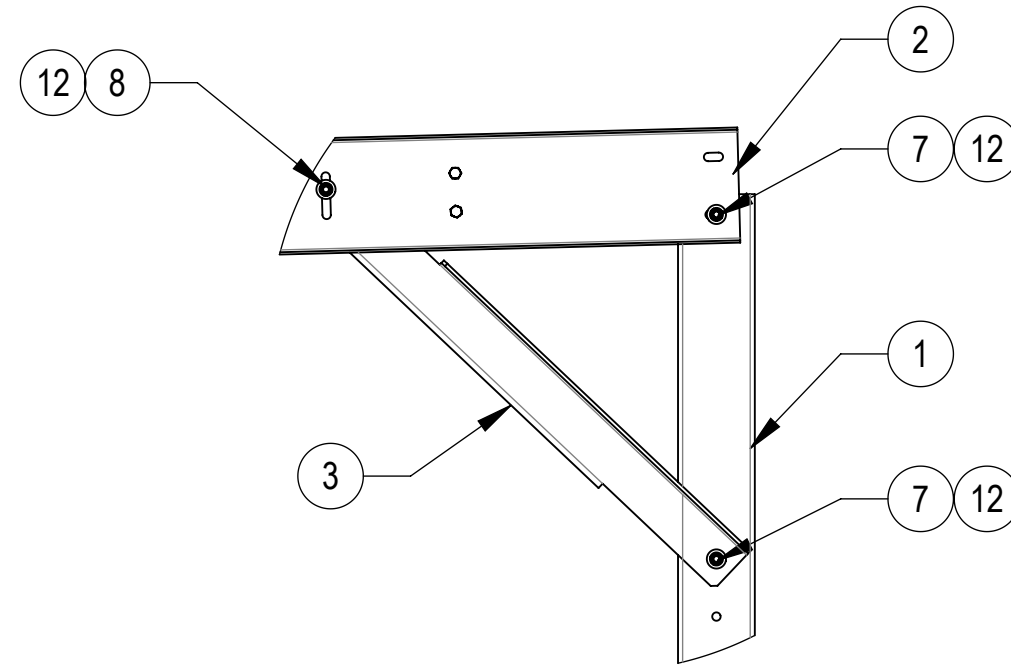
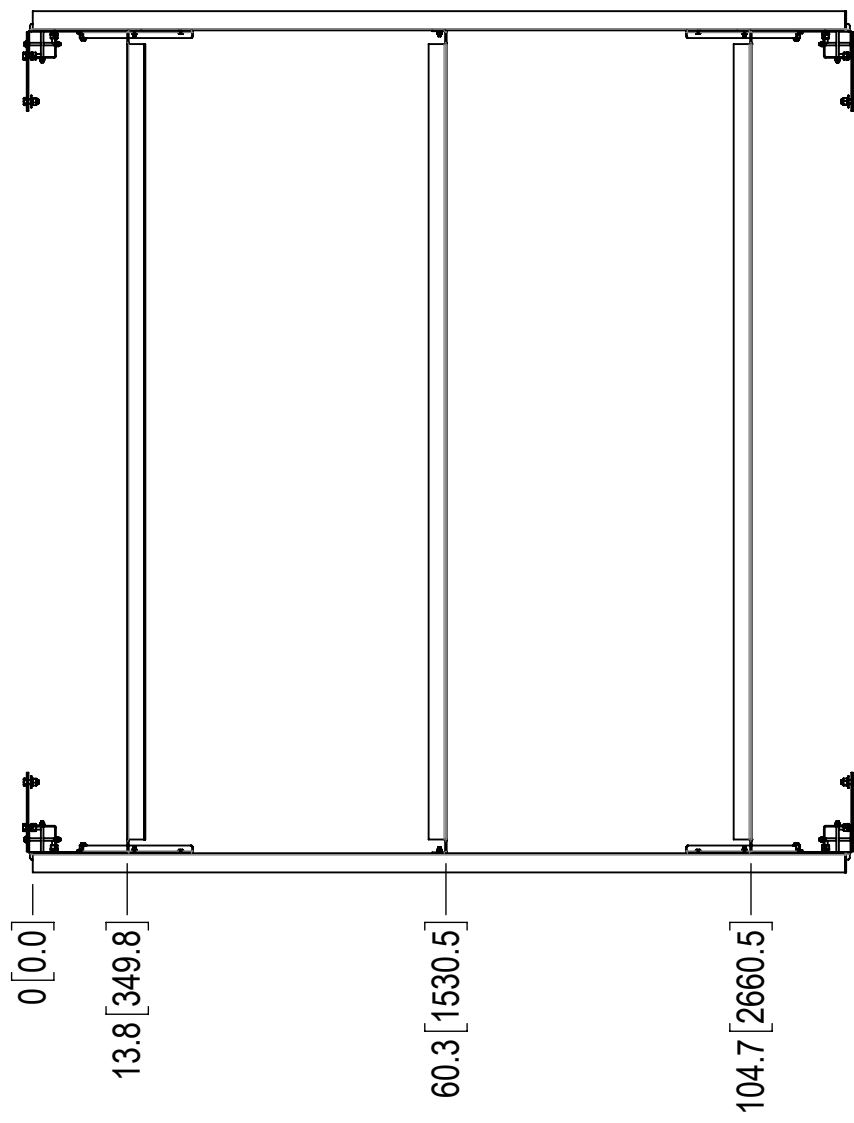
COMPONENT PART NUMBERS PROVIDED FOR ASSEMBLY PURPOSES;  
INDIVIDUAL COMPONENTS MAY BE SHIPPED AS PARTS WITHIN AN INCLUDED KIT.

ITEM	PART NO.	DESCRIPTION	QTY.	WEIGHT	NOTE NO.
1	MTC4173-1000-00	POST, 4X4 SQUARE TUBE, 126"	4	64.74 LBS	
2	MTC4173-2100-00	OUTER CHANNEL, ROOF SUPPORT	2	44.60 LBS	
3	MTC4130-3000-00	CANOPY BRACE	4	6.52 LBS	
4	RDR2636120	ROOF DECKING PBR 26 GA 36" X 120"	4	31.13 LBS	
5	MTC4173-3000-00	CANOPY CENTER CHANNEL	3	42.80 LBS	
6	MTC4169-2000-00	PLATE, CANOPY LEG SUPPORT	8	9.59 LBS	
7	GB-03505	3/8" X 5" GALV BOLT KIT	24	0.17 LBS	
8	GB-03125	3/8" X 1-1/4" GALV BOLT KIT	4	0.06 LBS	
9	GB-03105	3/8" X 1" GALV BOLT KIT	12	0.05 LBS	
10	GB-05165	5/8" X 1-3/4" GALV BOLT KIT	16	0.24 LBS	
11	GB-05225	5/8" X 2-1/4" GALV BOLT KIT	16	0.28 LBS	
12	GWF-03	3/8" GALV FLAT WASHER	32	0.01 LBS	
13	GWF-05	5/8" GALV FLAT WASHER, 1.7OD	16	0.06 LBS	
14	MTC3799C26	CLIP, RDR PANEL	40	0.05 LBS	
15	TS1275	TEK SCREW #12 X 3/4, WITH NEOPRENE WASHER	100	0.02 LBS	
16	MTC371531	1/4-14X7/8 SELF DRILLING HEX HEAD SCREW	100	0.02 LBS	

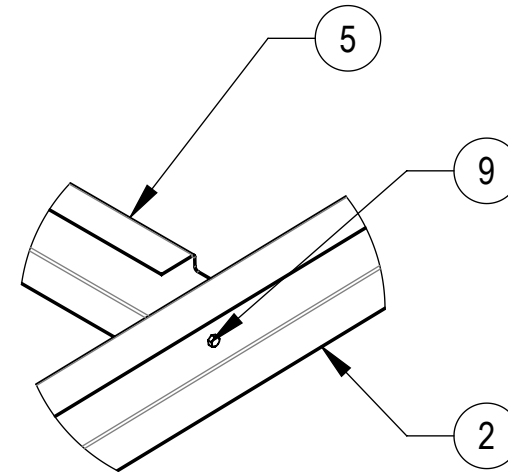
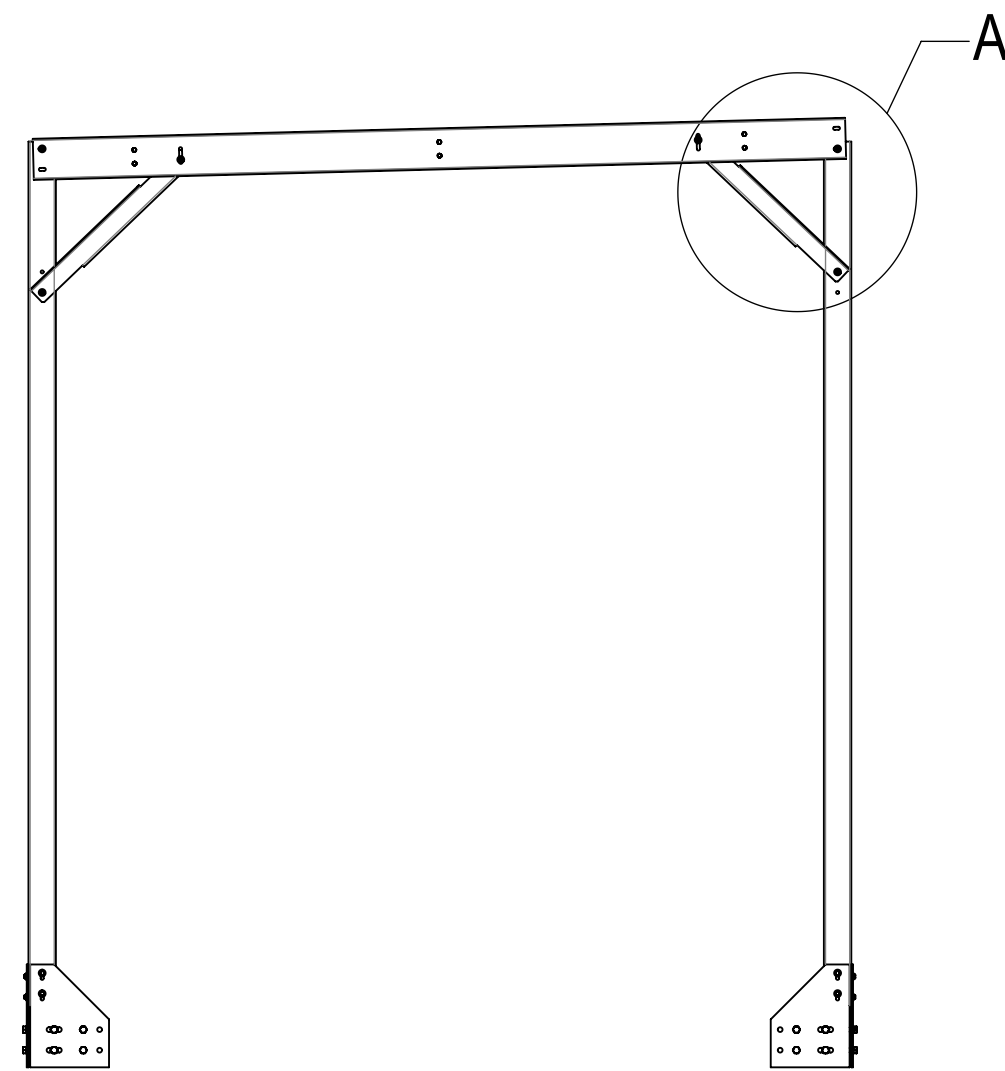
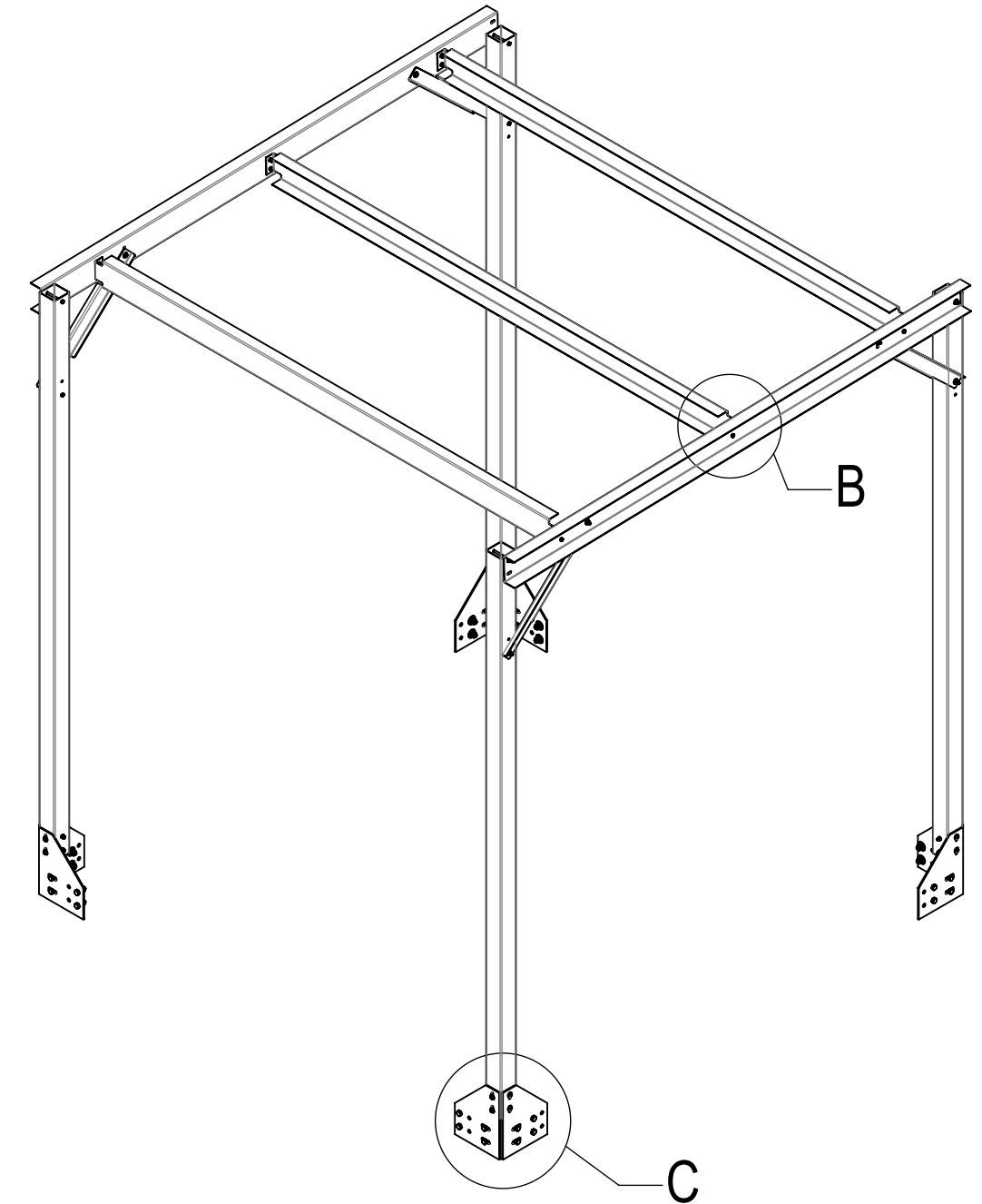
COMMSCOPE, INC. OF NORTH CAROLINA				
TITLE 10'X10' RAIN CANOPY, ON EQ. PLATFORM				
SIZE C	SCALE 1:32	DOCUMENT NO. EQ-P1010-B-RC-P		
		DRAWING		SHEET 2 OF 4
		VERSION 00	STATUS RE	

© 2024 CommScope, Inc. Confidential

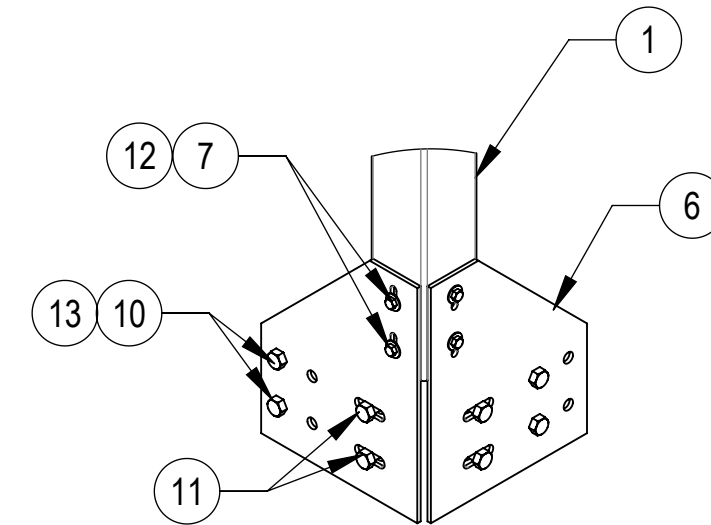
4 3 2 1



DETAIL A  
SCALE 1 : 10



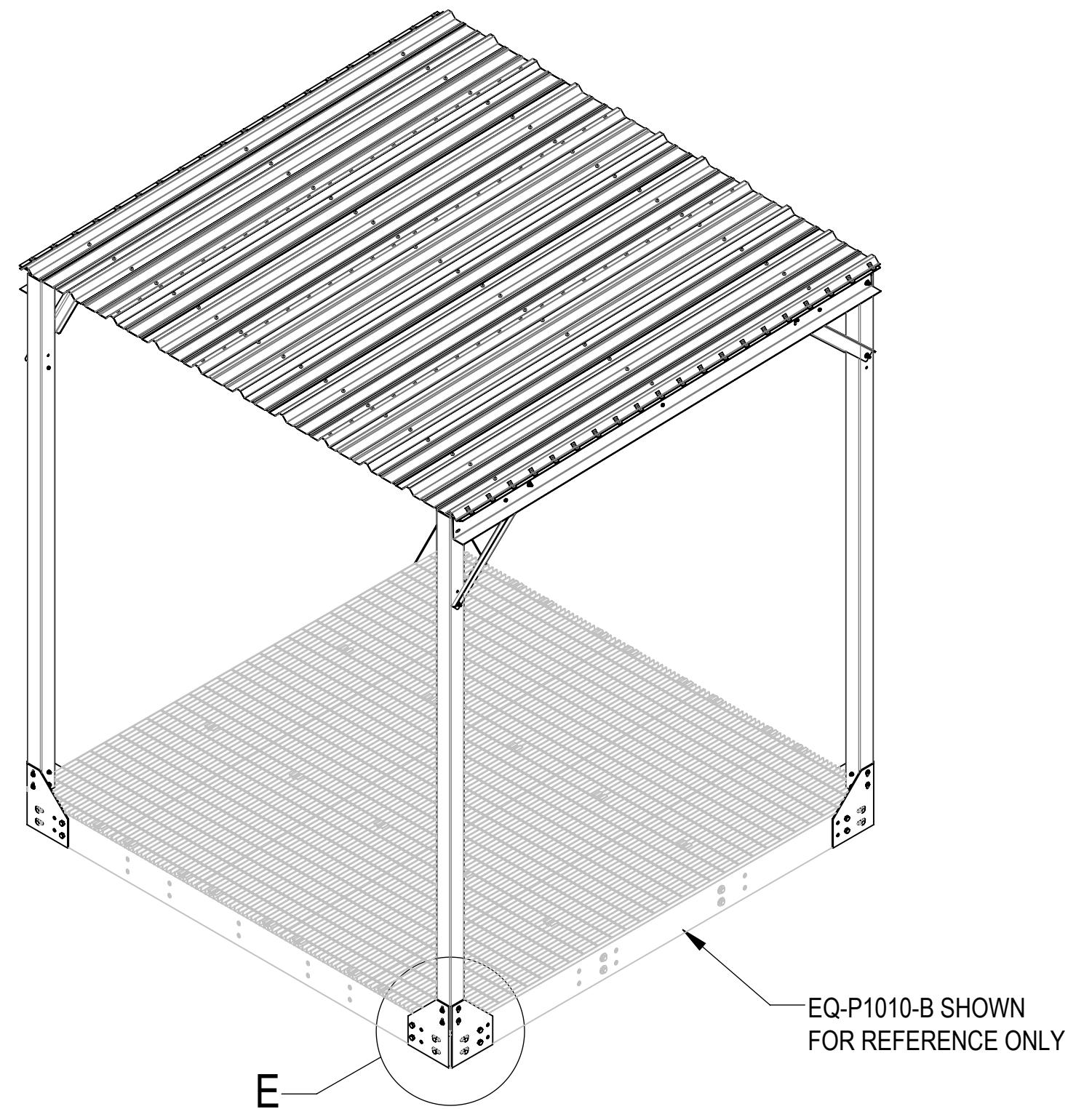
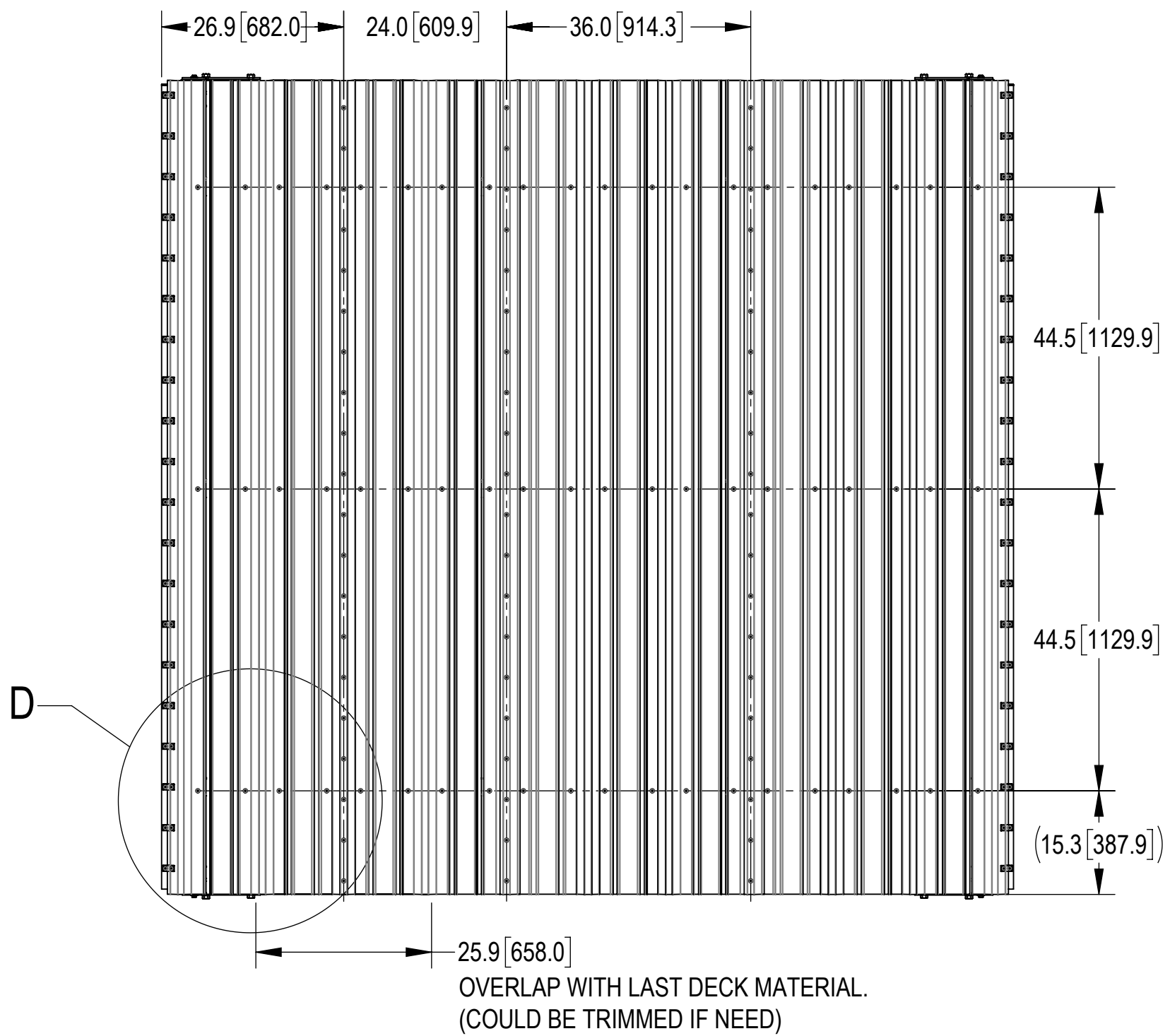
DETAIL B  
SCALE 1 : 10



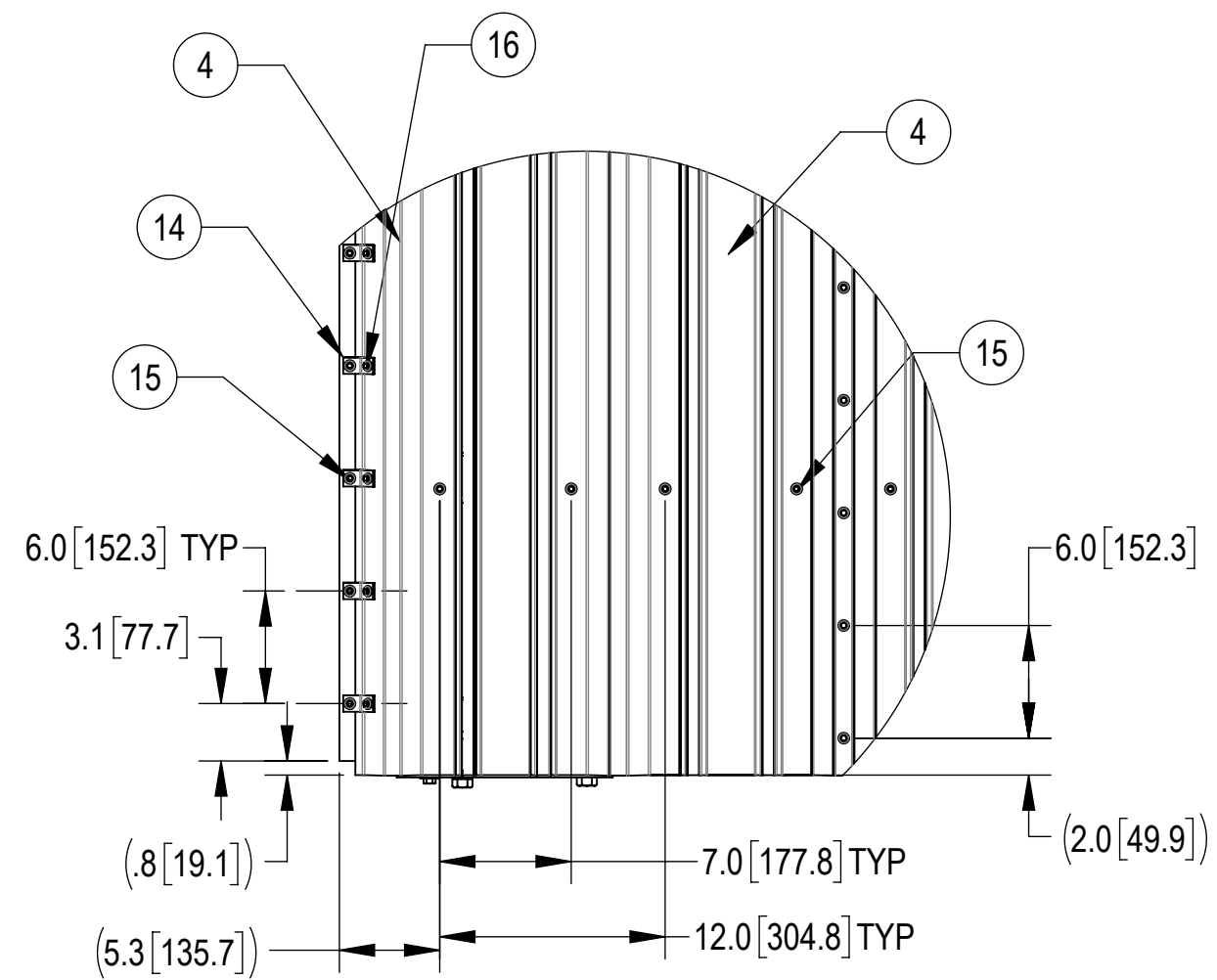
DETAIL C  
SCALE 1 : 10

HIDE ROOF DECKING FOR CLARITY

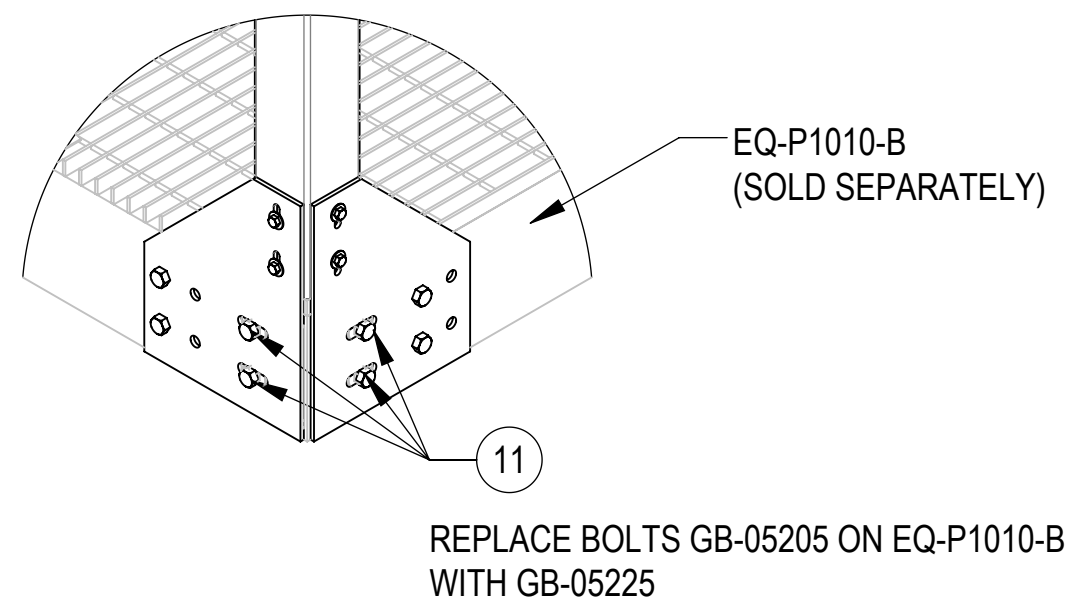
COMMSCOPE, INC. OF NORTH CAROLINA					
TITLE 10'X10' RAIN CANOPY, ON EQ. PLATFORM					
SIZE C	SCALE 1:32	DOCUMENT NO. EQ-P1010-B-RC-P			
		DRAWING			SHEET 3 OF 4
		VERSION 00	STATUS RE	REVISION A	



ATTACHED TO EQ-P1010-B VIEW



DETAIL D  
SCALE 1 : 10



DETAIL E  
SCALE 1 : 10  
(4 PLACES)

COMMSCOPE, INC. OF NORTH CAROLINA				
TITLE 10'X10' RAIN CANOPY, ON EQ. PLATFORM				
SIZE C	SCALE 1:32	DOCUMENT NO. EQ-P1010-B-RC-P		
DRAWING		VERSION	STATUS	REVISION
		00	RE	A
SHEET 4 OF 4				