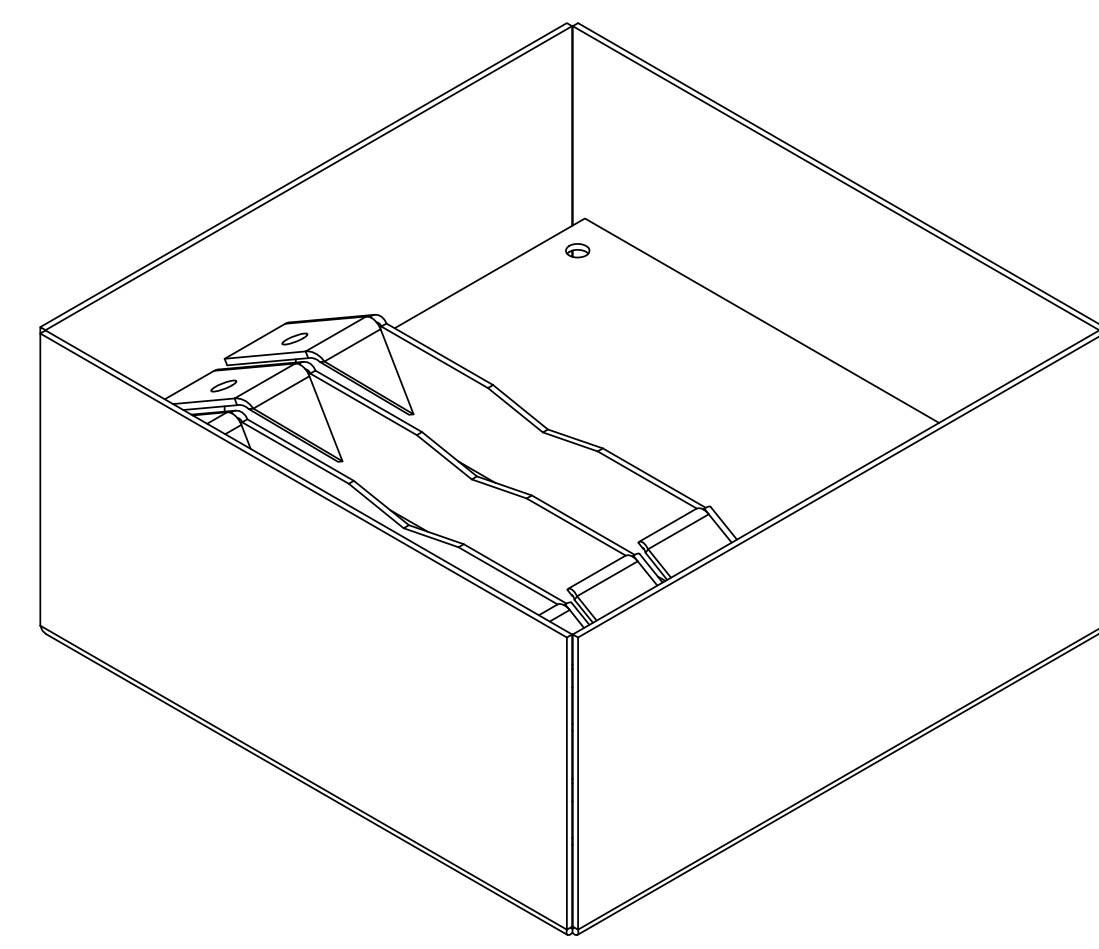


| ITEM | PART NO. | DESCRIPTION | QTY. | WEIGHT | NOTE NO. |
|------|-----------------|--|------|----------|----------|
| 1 | BX27 | Box Kraft 12" x 12" x 6" | 1 | - | |
| 2 | MTC316907 | Flag Pole Mounting Bracket, HBXX Antenna | 6 | 3.38 LBS | |
| 3 | MT-371 | 3/8" X 6" SS THREADED ROD | 6 | 0.19 LBS | |
| 4 | SWL-03 | 3/8" SS LOCK WASHER | 14 | 0.01 LBS | 2 |
| 5 | SN-03 | 3/8" SS HEX NUT | 14 | 0.02 LBS | 2 |
| 6 | DOCUMENT RECORD | INSERT DRAWING MTC3169HBXX INTO BOX | 1 | | |

| REVISIONS | | | | |
|-----------|------------|-----------------|-----|----------|
| REV. | ECN | DESCRIPTION | BY | DATE |
| A | 8000006432 | INITIAL RELEASE | MSM | 01/07/15 |
| B | 8000023635 | UPDATED NOTES | DRR | 06/01/17 |



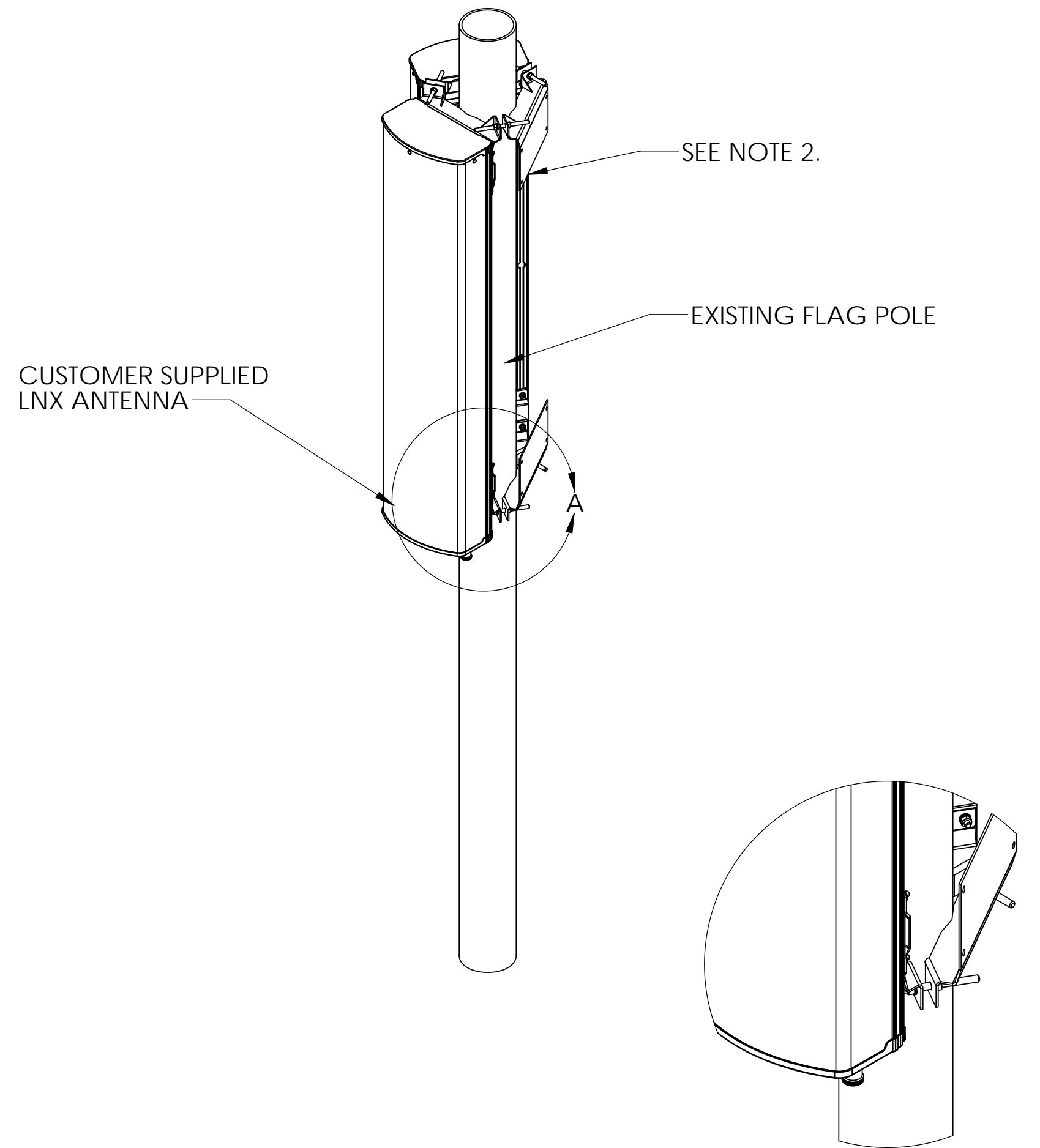
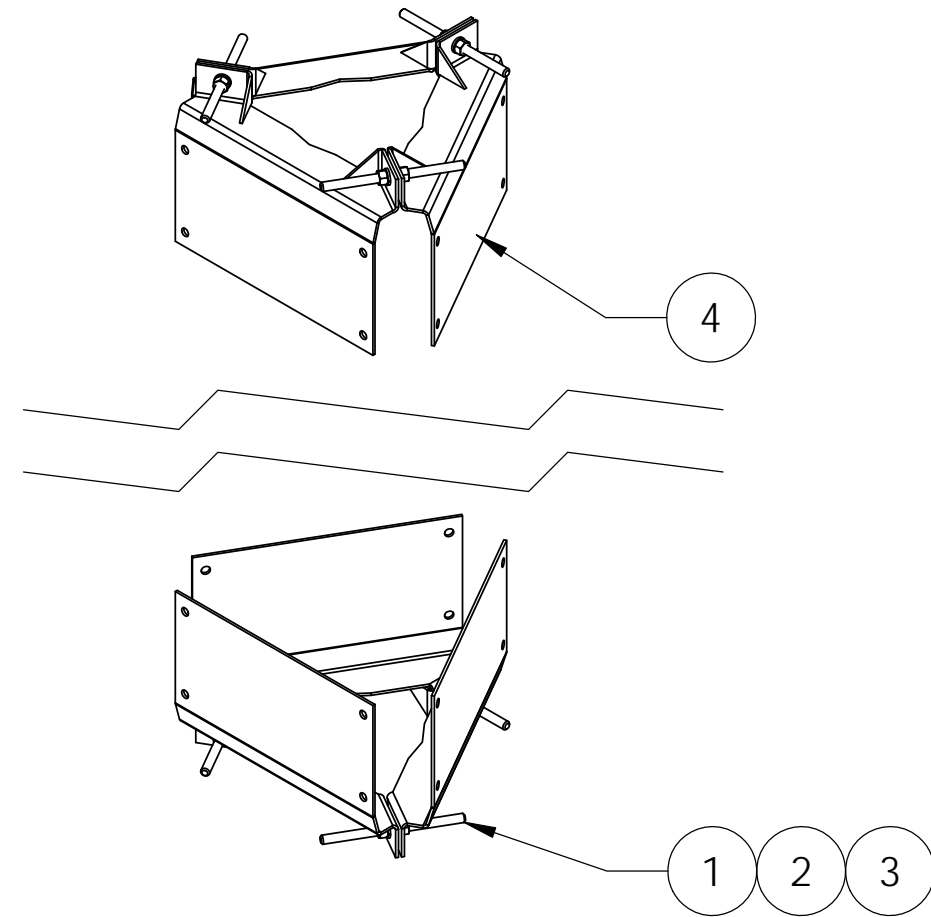
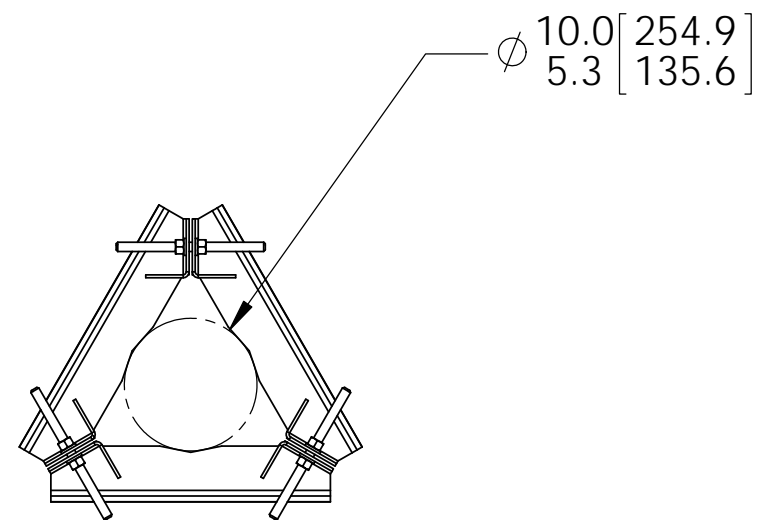
NOTES:

1. CUSTOMER ASSEMBLY SHEET 2-3.
2. PACK LOOSE HARDWARE IN POLYBAG.
3. ANTENNA PIM MAY BE AFFECTED WITH THE USE OF ALTERNATE ANTENNA BRACKETS.



| | | | | |
|--|--|-------------------|----------------------|---|
| These drawings and specifications are the proprietary property of CommScope Inc. and may be used only for the specific purpose authorized in writing by CommScope Inc. | | DRAWN BY: MSM | SHEET: 1 of 3 | PART NUMBER: MTC3169HBXX |
| ALL DIMENSIONS ARE IN INCHES U.O.S. TOLERANCES UNLESS OTHERWISE SPECIFIED: .X = ± .12 ANGLES ±2° .XX = ± .06 FRACTIONS ±1/32 .XXX = ± .03 | | CHECKED BY: TP | SCALE: NTS | DESCRIPTION: FLAG POLE MOUNT BRACKET KIT FOR HBXX ANTENNAS |
| REMOVE BURRS AND BREAK EDGES .005 | | DATE: 01/07/15 | MATERIAL: A36 | DRAWING TYPE: ASSEMBLY DRAWING |
| DO NOT SCALE THIS PRINT | | REVISION: B | FINISH: GALV A123 | Hickory, NC 28602 U.S.A. |
| | | | WEIGHT: 22.01 LBS | |

| ITEM | PART NO. | DESCRIPTION | QTY. | WEIGHT | NOTE NO. |
|------|-----------|--|------|----------|----------|
| 1 | MT-371 | 3/8" X 6" SS THREADED ROD | 6 | 0.19 LBS | |
| 2 | SWL-03 | 3/8" SS LOCK WASHER | 12 | 0.01 LBS | |
| 3 | SN-03 | 3/8" SS HEX NUT | 12 | 0.02 LBS | |
| 4 | MTC316907 | Flag Pole Mounting Bracket, HBXX Antenna | 6 | 3.38 LBS | |

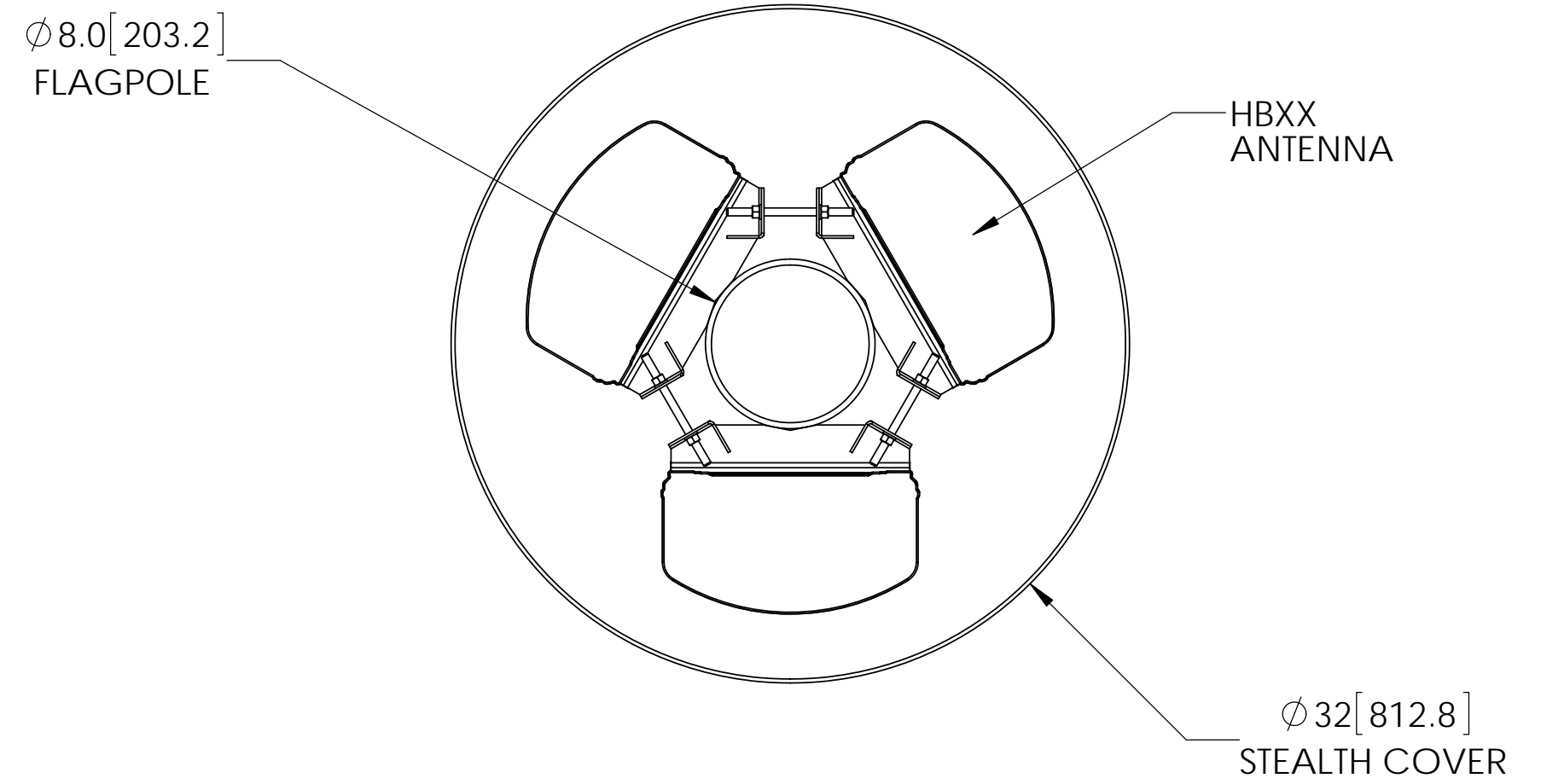
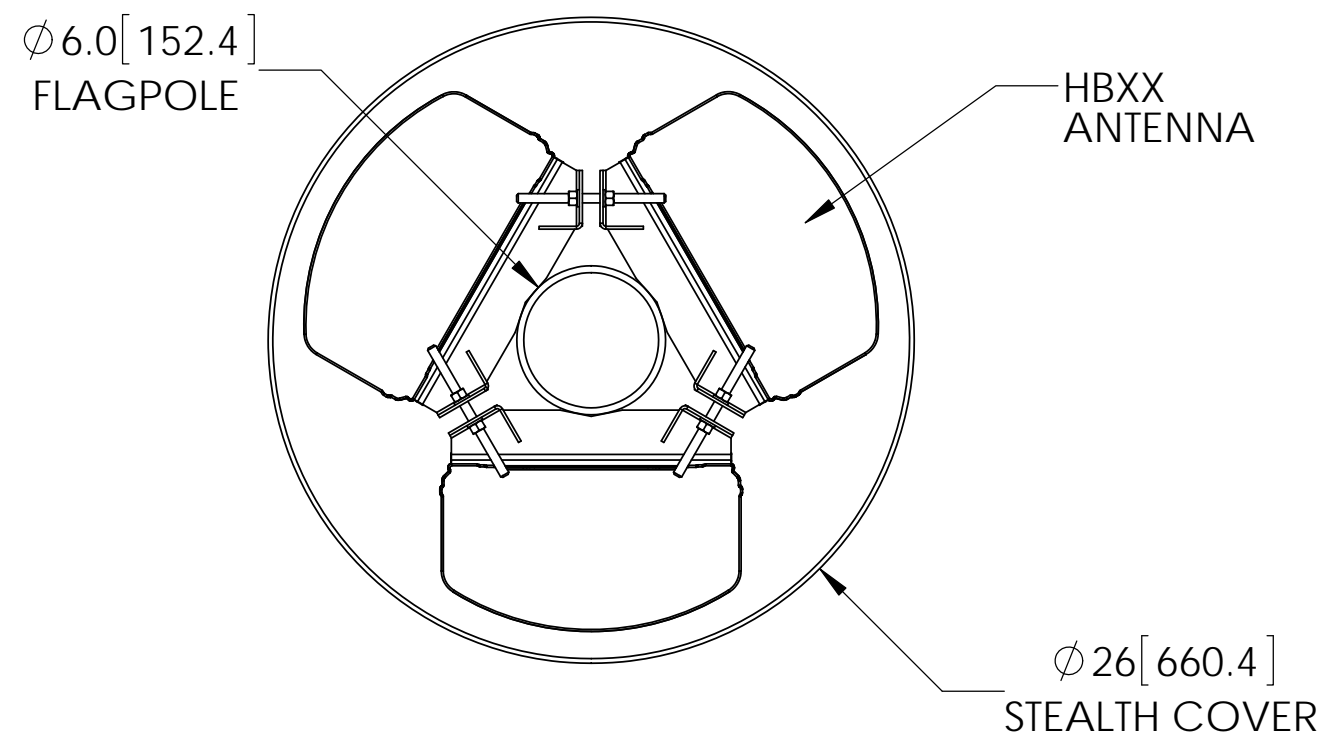



- NOTES:
1. FITS POLES $\phi 5.3"$ - $\phi 10.0"$.
 2. USE HARDWARE FROM HBXX ANTENNA FOR MOUNTING BRACKETS TO ANTENNA.
 3. ANTENNA PIM MAY BE AFFECTED WITH THE USE OF ALTERNATE ANTENNA BRACKETS.

| | | | | |
|---|--|--|--|--|
| <small>These drawings and specifications are the proprietary property of CommScope Inc. and may be used only for the specific purpose authorized in writing by CommScope Inc.</small> | | DRAWN BY: MSM CHECKED BY: TP DATE: 01/07/15 REVISION: B | SHEET: 2 of 3 SCALE: NTS MATERIAL: A36 FINISH: GALV A123 WEIGHT: 14.50 LBS | PART NUMBER: MTC3169HBXX DESCRIPTION: Flag Pole Mount, HBXX Antenna, 6"-10" Mast DRAWING TYPE: ASSEMBLY DRAWING COMMSCOPE® Hickory, NC 28602 U.S.A. |
|---|--|--|--|--|

ALL DIMENSIONS ARE IN INCHES U.O.S.
 TOLERANCES UNLESS OTHERWISE SPECIFIED:
 .X = ± .12 ANGLES ±2°
 .XX = ± .06 FRACTIONS ±1/32
 .XXX = ± .03
 REMOVE BURRS AND BREAK EDGES .005
 DO NOT SCALE THIS PRINT

FLAGPOLE LAYOUTS



| | | | |
|---|-----------------------|---|--|
| These drawings and specifications are the proprietary property of CommScope Inc. and may be used only for the specific purpose authorized in writing by CommScope Inc. ALL DIMENSIONS ARE IN INCHES U.O.S. TOLERANCES UNLESS OTHERWISE SPECIFIED: .X = ± .12 ANGLES ±2° .XX = ± .06 FRACTIONS ±1/32 .XXX = ± .03 REMOVE BURRS AND BREAK EDGES .005 DO NOT SCALE THIS PRINT | DRAWN BY: MSM | SHEET: 3 of 3 | PART NUMBER: MTC3169HBXX |
| | CHECKED BY: TP | SCALE: NTS | DESCRIPTION: Flag Pole Mount, HBXX Antenna, 6"-10" Mast |
| | DATE: 01/07/15 | MATERIAL: A36 | DRAWING TYPE: ASSEMBLY DRAWING |
| | REVISION: B | FINISH: GALV A123 WEIGHT: 275.35 LBS |  Hickory, NC 28602 U.S.A. |