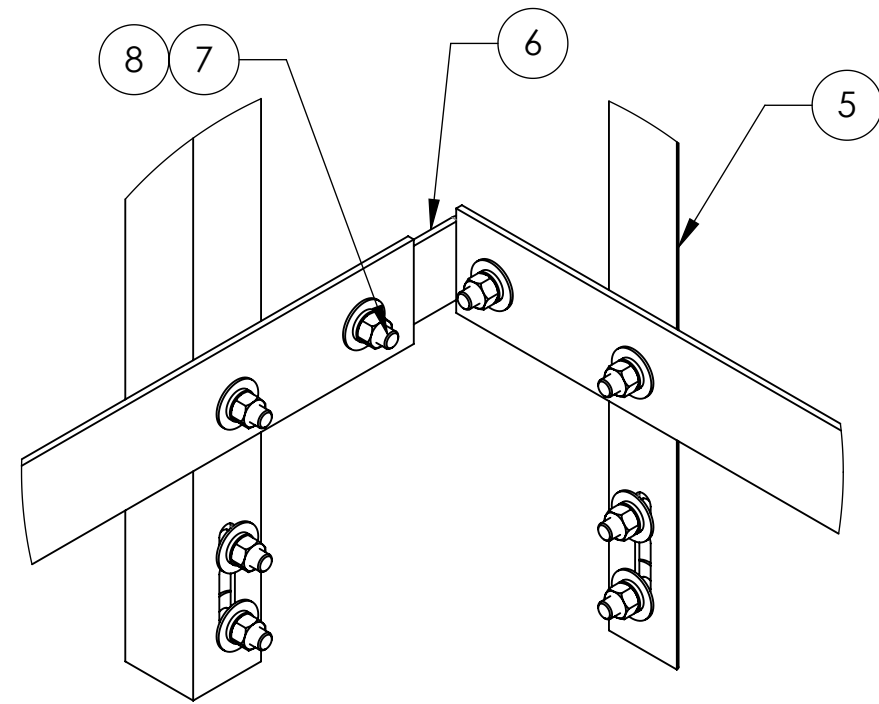
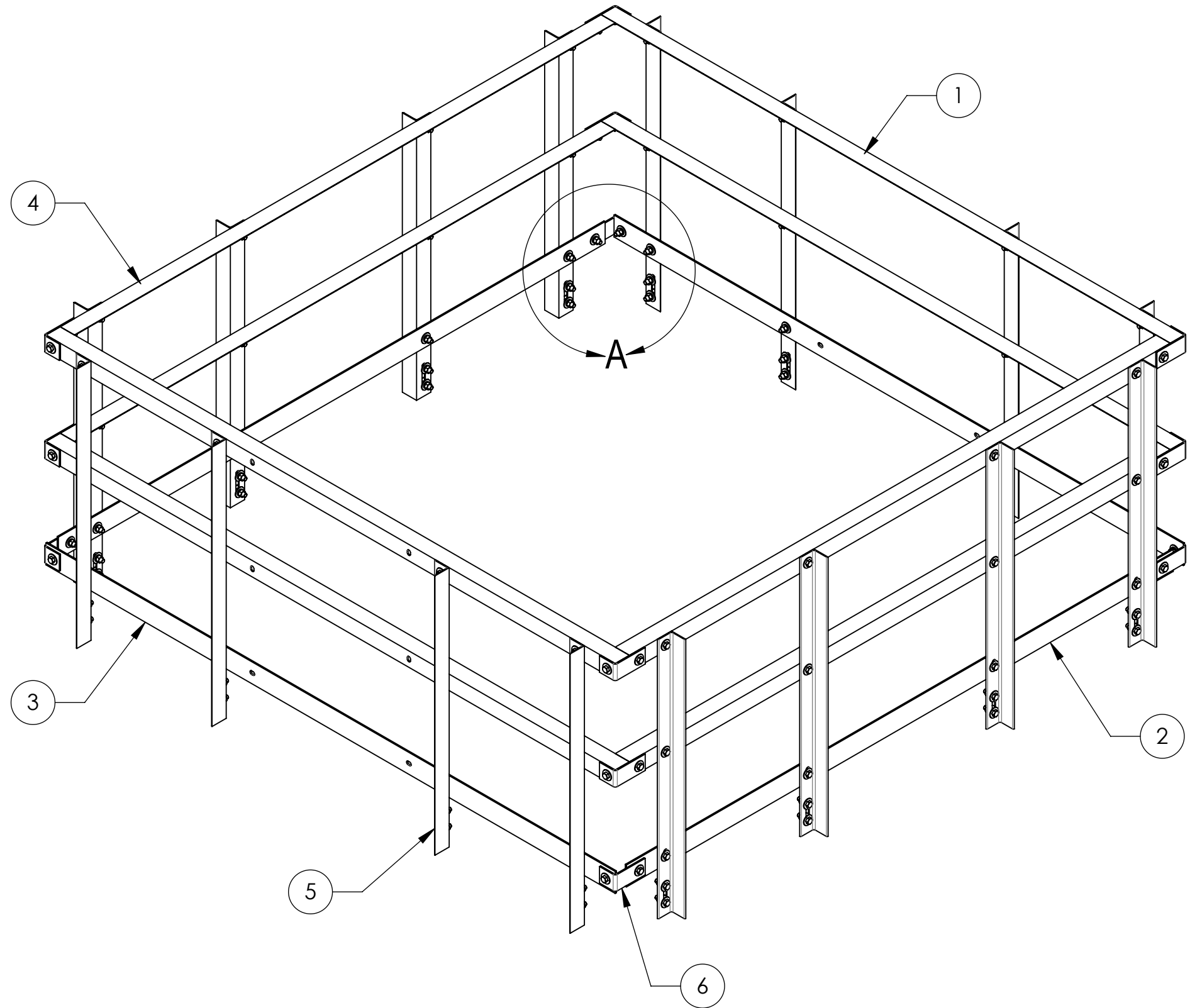


- 1.0 GENERAL NOTES  
 1.1 ALL METRIC DIMENSIONS ARE IN BRACKETS [X.X]  
 1.2 FOR PATENT INFO: <https://www.cs-pat.com>  
 2.0 DESIGN NOTES  
 3.0 MANUFACTURING/SPECIAL REQUIREMENTS  
 3.1 TIGHTEN ALL BOLTS SECURING FLAT PLATES BY THE TURN-OF-NUT METHOD. TIGHTEN ALL U-BOLTS USING TURN-OF-NUT METHOD WITH ATTENTION TO LEAVE EQUAL DISTANCE AND EQUAL FORCE ON EACH LEG OF THE U-BOLT.  
 4.0 TEST  
 5.0 PACKAGING  
 5.1 PACKAGING SHALL MEET COMMSCOPE REQUIREMENTS PER DOCUMENT IS-PL-3005  
 5.2 PRINTED DOCUMENT TO BE PLACED INSIDE POLYBAG AND THEN IN SHIPPING CONTAINER  
 5.3 EXTRA HARDWARE MAY BE SUPPLIED, BAGGED AND SHIPPED

REVISIONS			
REV.	DESCRIPTION	DATE	APPROVED
A	INITIAL RELEASE	DI 02/24/05	
B	REPLACED MTC790204 WITH EQHR01	RJC 6/15/2015	8000008700
C	UPDATED DRAWING TO NEW FORMAT	RY1002 14MAR24	BCROSS 40190872CMO



DETAIL A  
SCALE 1 : 6



COMPONENT PART NUMBERS PROVIDED FOR ASSEMBLY PURPOSES;  
 INDIVIDUAL COMPONENTS MAY BE SHIPPED AS PARTS WITHIN AN INCLUDED KIT.

ITEM	PART NO.	DESCRIPTION	QTY.	WEIGHT	NOTE NO.
1	MTC7902101003	10' SIDE HANDRAIL	4	36.80 LBS	
2	MTC7902101004	10' CENTER TOEBOARD	2	32.23 LBS	
3	MTC7902101006	10' SIDE TOEBOARD	2	33.48 LBS	
4	MTC7902101005	10' CENTER HANDRAIL	4	35.01 LBS	
5	EQHR01	HANDRAIL POST	16	15.52 LBS	
6	MTC790208	HANDRAIL ANGLE CLIP	12	1.87 LBS	
7	GB-05205	5/8" X 2" GALV BOLT KIT	104	0.26 LBS	
8	GWF-05	5/8" GALV FLAT WASHER, 1.70D	208	0.06 LBS	

**COMMSCOPE, INC. OF NORTH CAROLINA**

TOLERANCES		SAP MATERIAL MASTER	
1 PLACE .X[X] ± 0.06[1.5]	3 PLACE .XXX[X] ± 0.010[0.3]	<b>EQ-HR1010</b>	
2 PLACE .XX[X] ± 0.03[0.8]	ANGLES ± 2°		
FINISH		MATERIAL	
UNLESS OTHERWISE SPECIFIED DIMENSIONS ARE IN INCHES INTERPRET PER ANSI Y 14.5M-1994	NAME	DATE	TITLE
	CE DI	02/24/05	<b>10' x 10' PLATFORM HANDRAIL KIT</b>
	RW RY1002	03/18/2024	
	AD YMENG	03/27/2024	
	RE YMENG	03/27/2024	
ECN 40190872CMO			
SCALE	DOCUMENT NO.		
<b>1:18</b>	<b>EQ-HR1010</b>		
SIZE	Auth Group	INSL	MODEL
<b>C</b>			
VERSION	STATUS	REVISION	VERSION
01	RE	C	01
DRAWING		STATUS	REVISION
		RE	C
			SHEET
			1 OF 1

DENSITY		lbs/in <sup>3</sup>
MASS	739.53	lbs
VOLUME	2624.37	in <sup>3</sup>
SURFACE AREA	27462.91	in <sup>2</sup>
HEIGHT	51"	
LENGTH	126"	
WIDTH	126"	