

4

3

2

1

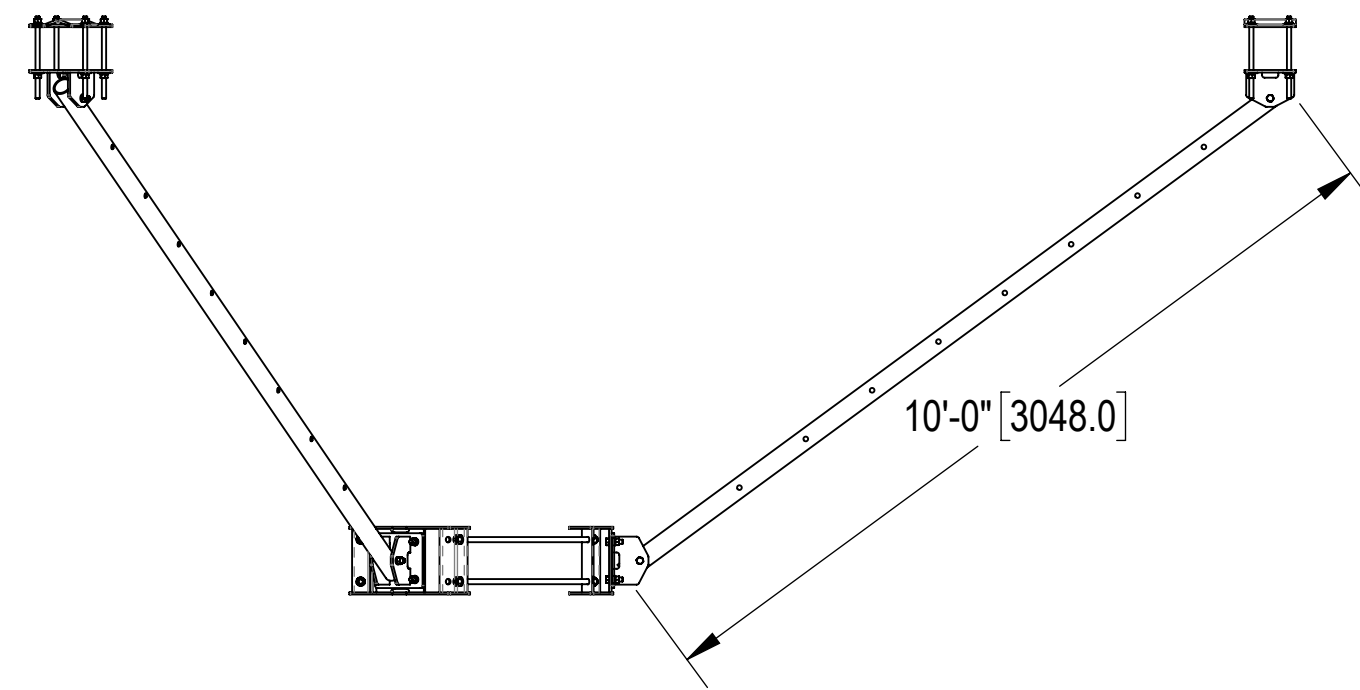
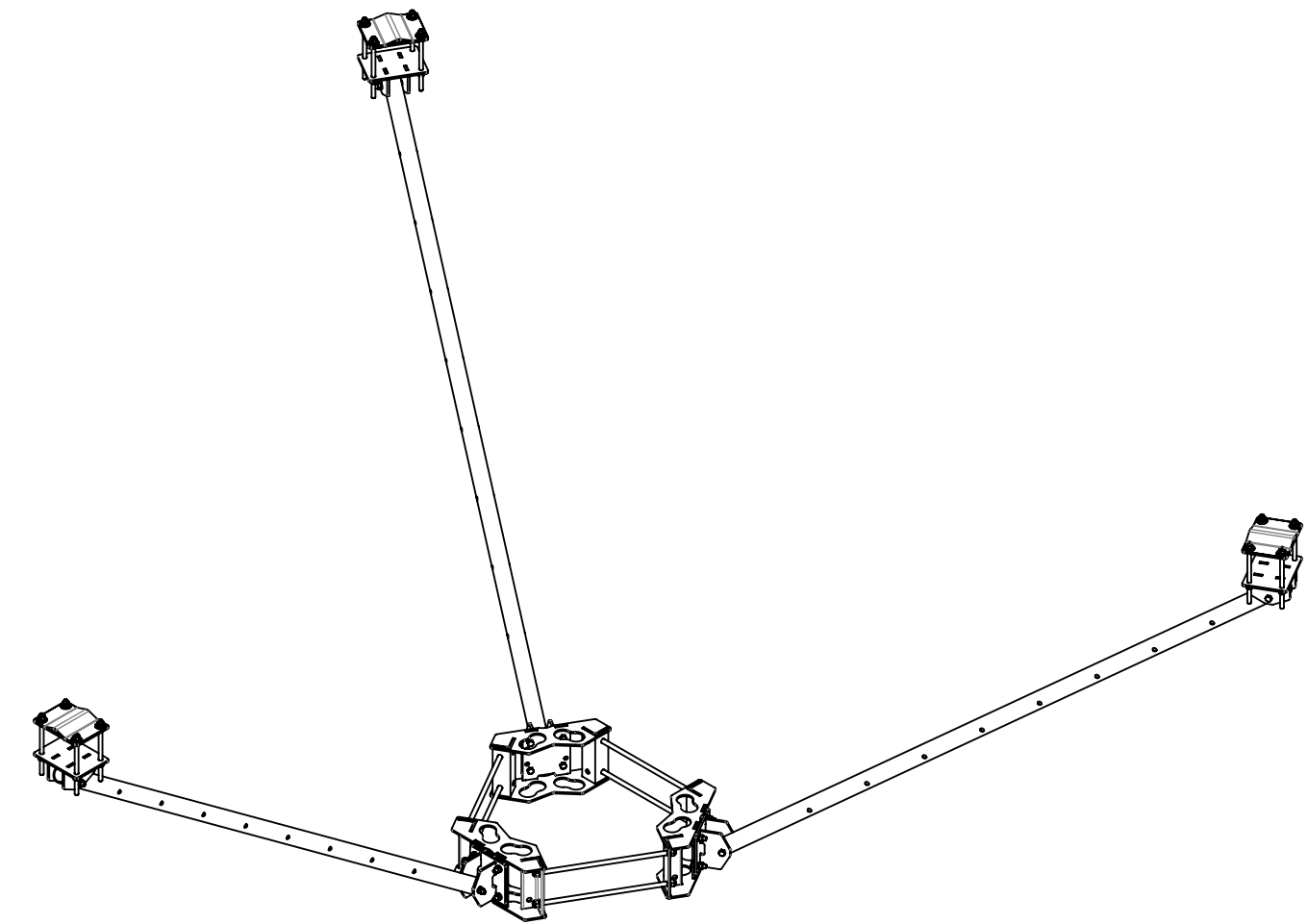
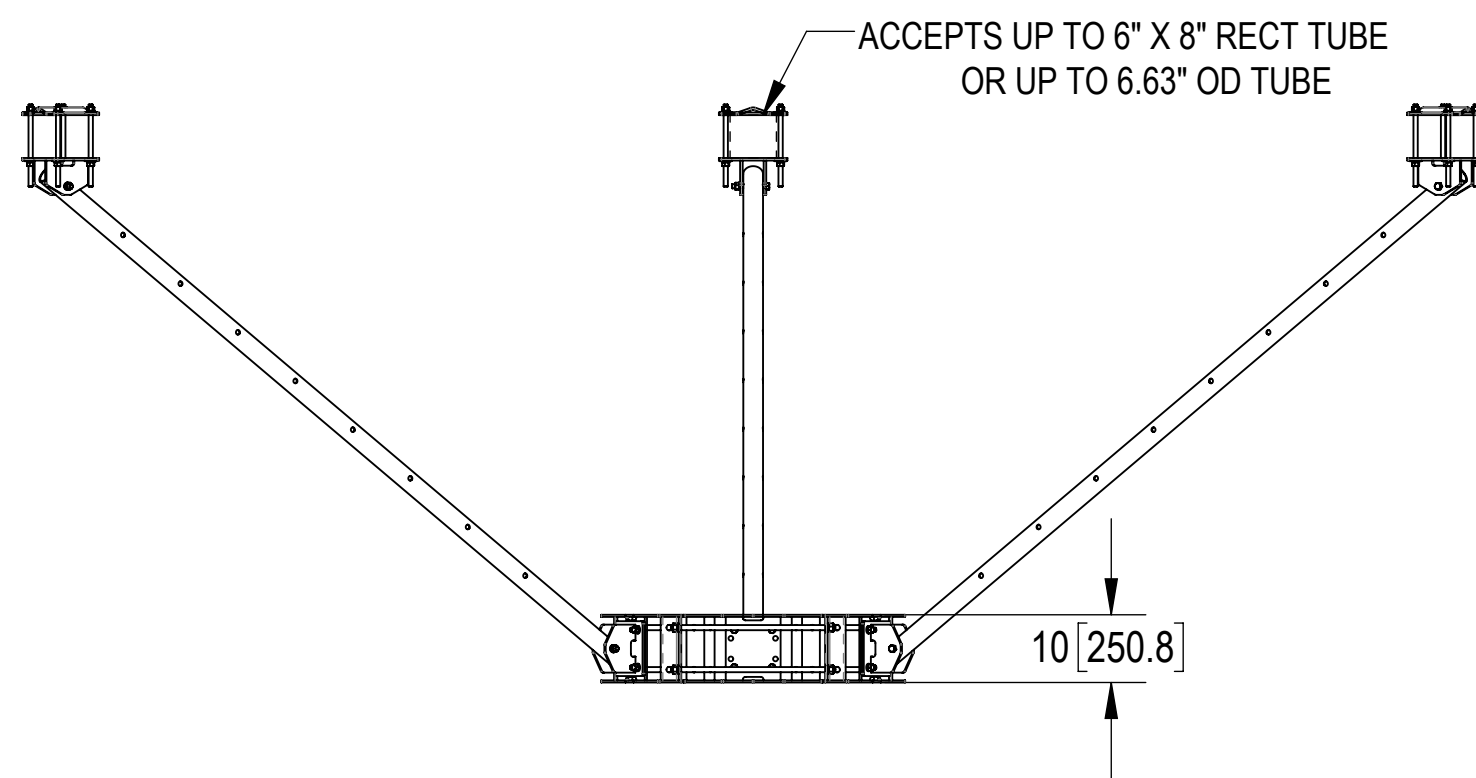
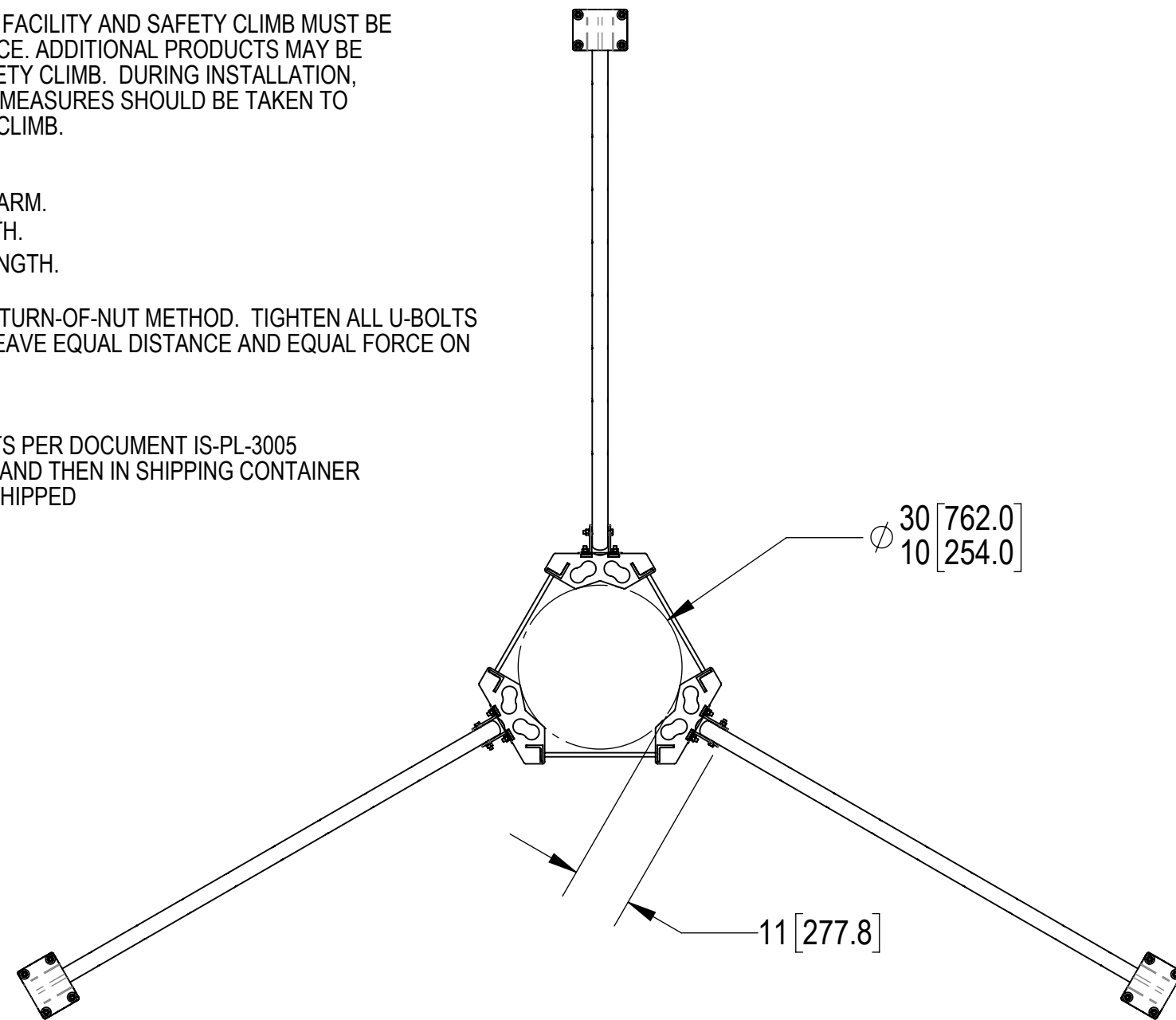
- 1.0 GENERAL NOTES
- 1.1 ALL METRIC DIMENSIONS ARE IN BRACKETS [X.X]
- 1.2 FOR PATENT INFO: <https://www.cs-pat.com>

- 2.0 DESIGN NOTES
- 2.1 ANY HAZARDS OR OBSTRUCTIONS TO THE CLIMBING FACILITY AND SAFETY CLIMB MUST BE IDENTIFIED PRIOR TO INSTALLING THE APPURTENANCE. ADDITIONAL PRODUCTS MAY BE REQUIRED TO MAINTAIN THE INTEGRITY OF THE SAFETY CLIMB. DURING INSTALLATION, TEMPORARY AND/OR PERMANENT PRECAUTIONARY MEASURES SHOULD BE TAKEN TO PRESERVE THE CLIMBING FACILITY AND/OR SAFETY CLIMB.
- 2.2 FITS MONOPOLES 10"- 30" OD.
- 2.3 USE MTC385202 FOR ROUND TUBE STAND-OFF ARM.
- 2.4 USE MTC385204 FOR RECTANGLE TUBE STAND-OFF ARM.
- 2.5 CUT KICKER PIPES AS NEEDED FOR PROPER LENGTH.
- 2.6 CUT THREADED RODS AS NEEDED FOR PROPER LENGTH.

- 3.0 MANUFACTURING/SPECIAL REQUIREMENTS
- 3.1 TIGHTEN ALL BOLTS SECURING FLAT PLATES BY THE TURN-OF-NUT METHOD. TIGHTEN ALL U-BOLTS USING TURN-OF-NUT METHOD WITH ATTENTION TO LEAVE EQUAL DISTANCE AND EQUAL FORCE ON EACH LEG OF THE U-BOLT.

- 4.0 TEST
- 5.0 PACKAGING
- 5.1 PACKAGING SHALL MEET COMMSCOPE REQUIREMENTS PER DOCUMENT IS-PL-3005
- 5.2 PRINTED DOCUMENT TO BE PLACED INSIDE POLYBAG AND THEN IN SHIPPING CONTAINER
- 5.3 EXTRA HARDWARE MAY BE SUPPLIED, BAGGED AND SHIPPED

REVISIONS			
REV.	DESCRIPTION	DATE	APPROVED
A	INITIAL RELEASE	MSM 06APR16	TP 8000012996
B	MT38424 WAS MT38430B7; MT-381 WAS MT-381-10; GB-0550A WAS GB-0546A	YMENG 11APR24	CB1094 40193236CMO



<b>COMMSCOPE, INC. OF NORTH CAROLINA</b>											
TOLERANCES						SAP MATERIAL MASTER					
0 PLACE X[X] ± .25[6.3]			2 PLACE .XX[X] ± .06[1.5]			<b>MTC38523</b>					
1 PLACE .X[X] ± .12[3.0]			ANGLES ± 2°			FINISH					
FINISH						MATERIAL					
UNLESS OTHERWISE SPECIFIED DIMENSIONS ARE IN INCHES INTERPRET PER ANSI Y 14.5M-1994	NAME		DATE		TITLE						
	CE	MSM	08APR16		<b>REINFORCEMENT KIT 3 SECTOR 10-30 10'ARM</b>						
	RW	YMENG	04/16/2024								
	AD	CB1094	04/17/2024		SCALE		DOCUMENT NO.				
	RE	YMENG	04/24/2024		<b>1:48</b>		<b>MTC38523</b>				
ECN 40193236CMO											
SIZE		Auth Group		INSL		MODEL			DRAWING		
<b>C</b>						VERSION			STATUS		
01		RE		B		01			RE B		
SHEET		1 OF 2									

DENSITY		lbs/in <sup>3</sup>
MASS	434.56	lbs
VOLUME	6175.98	in <sup>3</sup>
SURFACE AREA	30859.97	in <sup>2</sup>
HEIGHT		
LENGTH		
WIDTH		

4

3

2

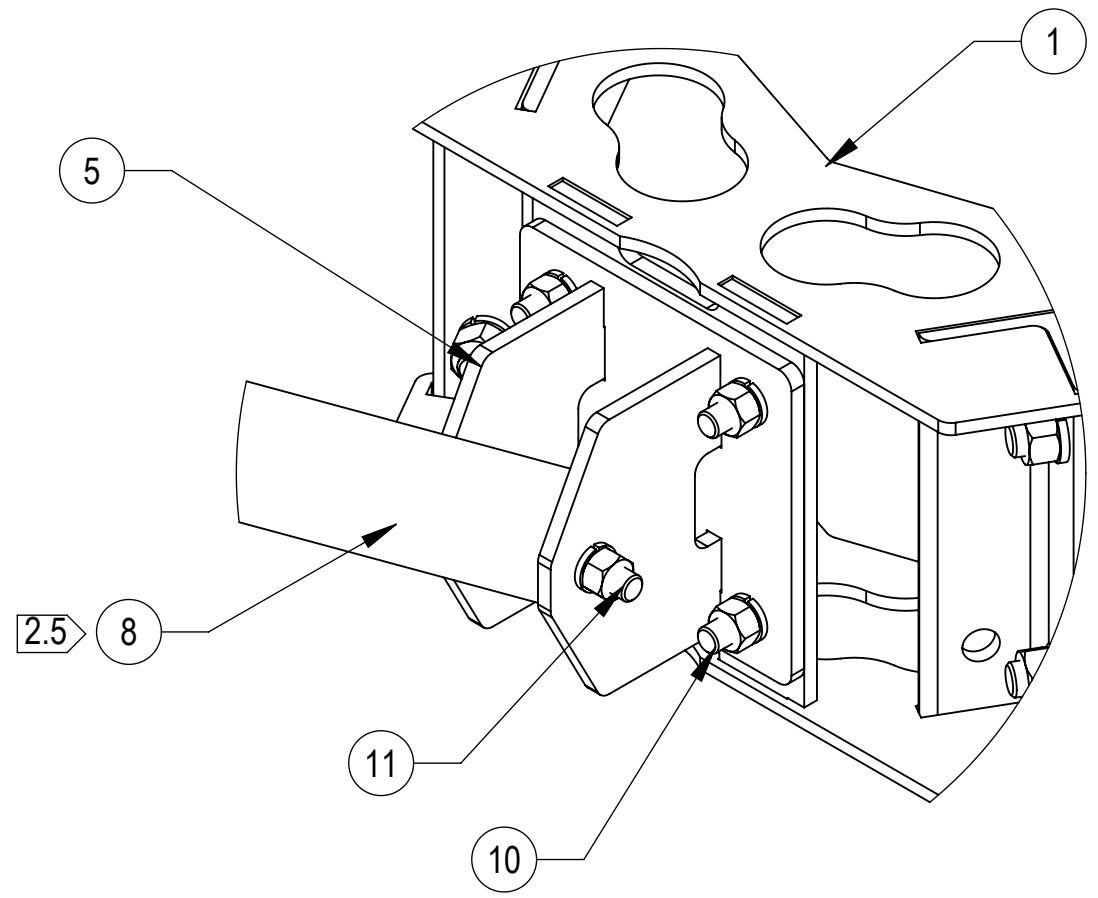
1

4

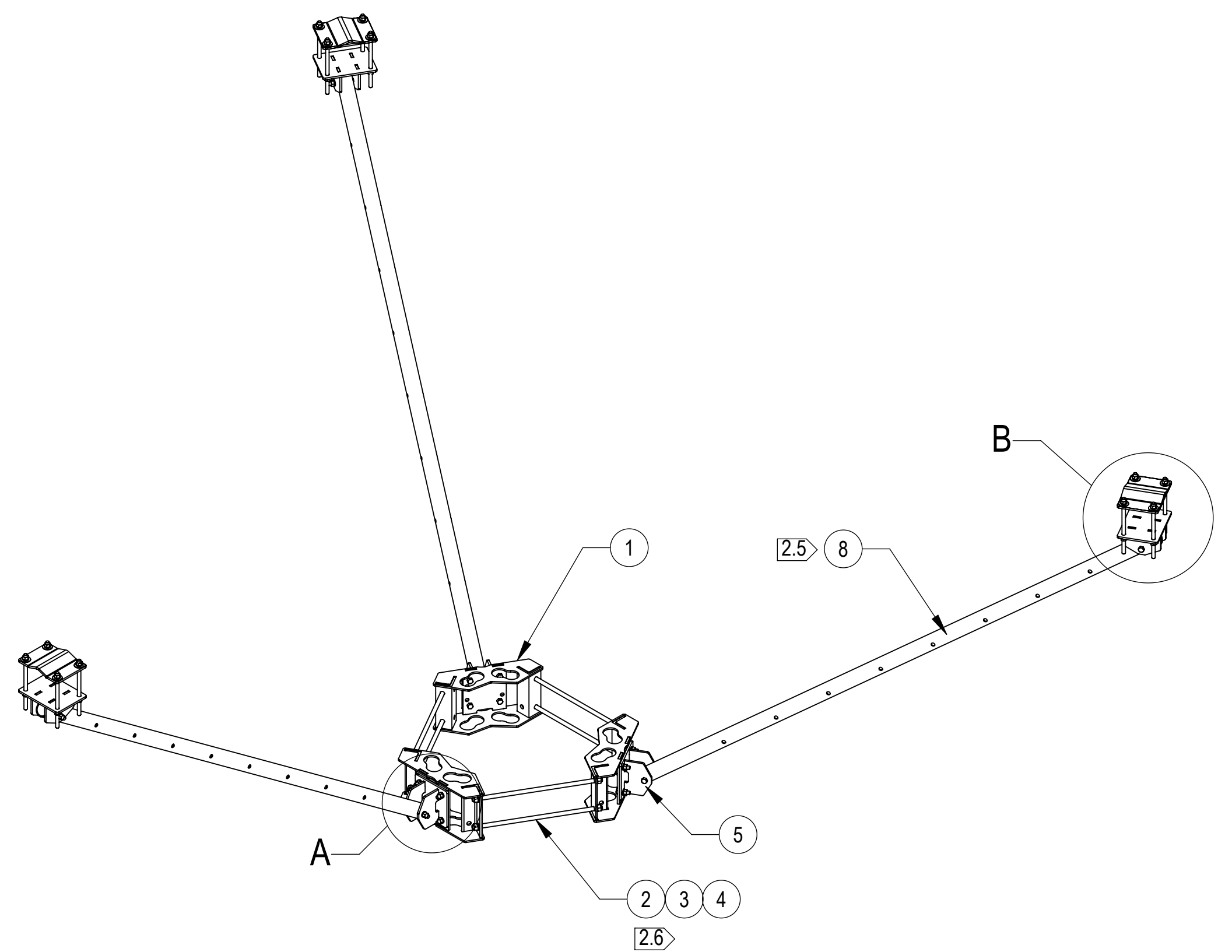
3

2

1




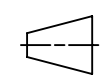
**DETAIL A**  
SCALE 1 : 4



**DETAIL B**  
SCALE 1 : 4

COMPONENT PART NUMBERS PROVIDED FOR ASSEMBLY PURPOSES;  
INDIVIDUAL COMPONENTS MAY BE SHIPPED AS PARTS WITHIN AN INCLUDED KIT.

ITEM	PART NO.	DESCRIPTION	QTY.	WEIGHT	NOTE NO.
1	MTC306503W	1030 RINGMOUNT WELDMENT	3	30.93 LBS	
2	MT38424	3/4" X 24" GALV THREADED ROD	6	2.99 LBS	2.6
3	GWL-06	3/4" GALV LOCK WASHER	12	0.04 LBS	
4	GN-06	3/4" GALV HEX NUT	12	0.15 LBS	
5	RK01	KICKER STANDOFF WELDMENT	3	12.54 LBS	
6	MTC385201	KICKER PLATFORM CONNECTION WELDMENT	3	13.70 LBS	
7	MTC385202	ROUND PIPE CLAMP PLATE, 6-5/8" OD	3	7.81 LBS	2.3
8	MTC385203	KICKER PIPE, 10'	3	57.19 LBS	2.5
9	MTC385204	TOP CLAMP PLATE	3	7.76 LBS	2.4
10	GB-0520A	5/8" X 2" GALV BOLT KIT (A325)	12	0.26 LBS	
11	GB-0550A	5/8" X 5" GALV BOLT KIT (A325)	6	0.52 LBS	
12	MT-381	5/8" X 12" GALV THREADED ROD	12	1.04 LBS	2.6
13	GWF-05	5/8" GALV FLAT WASHER, 1.7OD	24	0.06 LBS	
14	GWL-05	5/8" GALV LOCK WASHER	24	0.03 LBS	
15	GN-05	5/8" GALV HEX NUT	24	0.08 LBS	

COMMSCOPE, INC. OF NORTH CAROLINA					
TITLE REINFORCEMENT KIT 3 SECTOR 10-30 10'ARM					
SIZE <b>C</b>	SCALE <b>1:28</b>	DOCUMENT NO. <b>MTC38523</b>			
 		DRAWING			SHEET 2 OF 2
		VERSION 01	STATUS RE	REVISION B	

© 2024 CommScope, Inc. Confidential