

- 1.0 GENERAL NOTES
 1.1 ALL METRIC DIMENSIONS ARE IN BRACKETS [X.X]
 1.2 FOR PATENT INFO: <https://www.cs-pat.com>

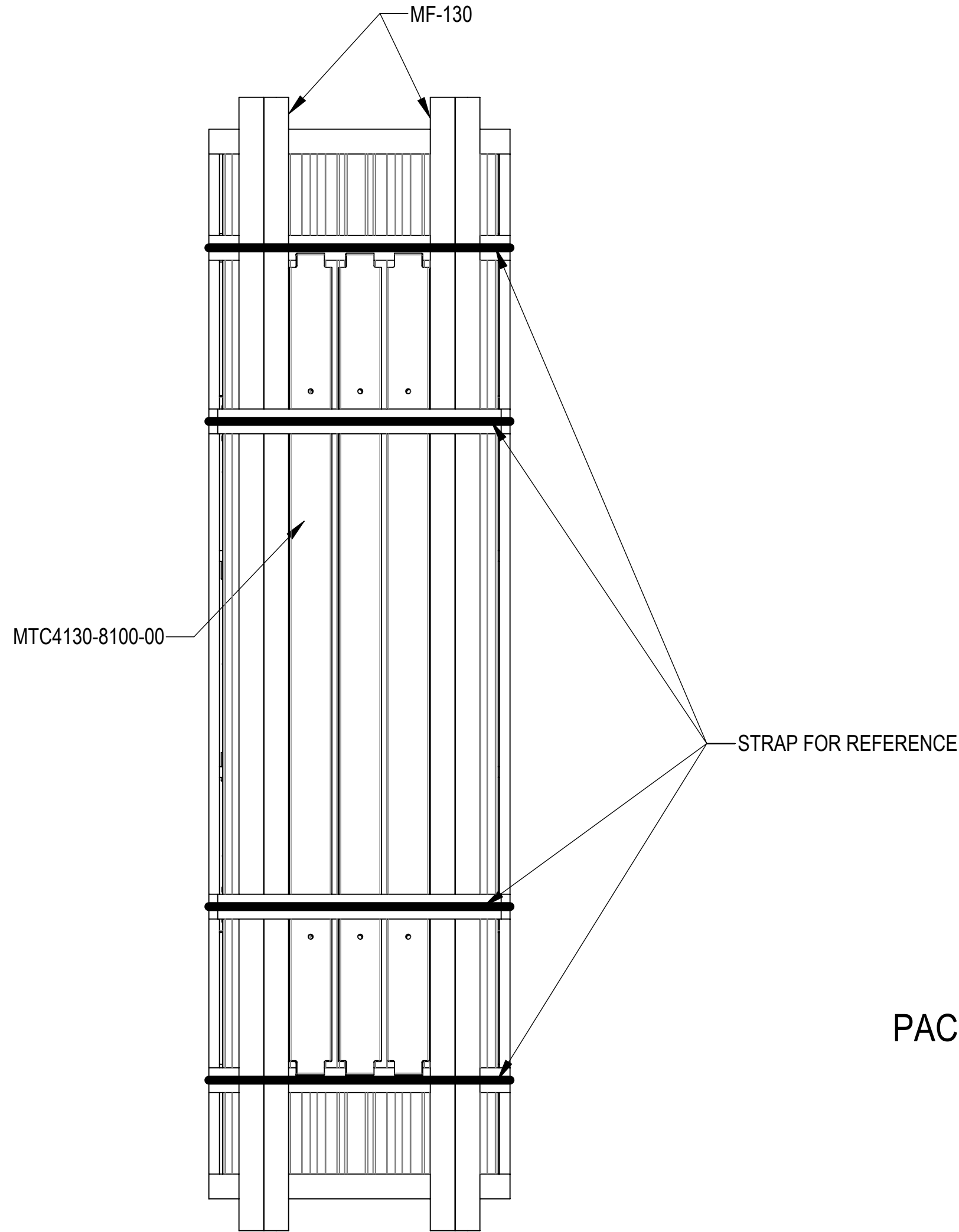
- 2.0 DESIGN NOTES
 2.1 ANY HAZARDS OR OBSTRUCTIONS TO THE CLIMBING FACILITY AND SAFETY CLIMB MUST BE IDENTIFIED PRIOR TO INSTALLING THE APPURTENANCE. ADDITIONAL PRODUCTS MAY BE REQUIRED TO MAINTAIN THE INTEGRITY OF THE SAFETY CLIMB. DURING INSTALLATION, TEMPORARY AND/OR PERMANENT PRECAUTIONARY MEASURES SHOULD BE TAKEN TO PRESERVE THE CLIMBING FACILITY AND/OR SAFETY CLIMB.

- 3.0 MANUFACTURING/SPECIAL REQUIREMENTS
 3.1 TIGHTEN ALL BOLTS SECURING FLAT PLATES BY THE TURN-OF-NUT METHOD. TIGHTEN ALL U-BOLTS USING TURN-OF-NUT METHOD WITH ATTENTION TO LEAVE EQUAL DISTANCE AND EQUAL FORCE ON EACH LEG OF THE U-BOLT.
 3.2 THE VERTICAL POSTS CAN BE FIELD TRIMMED AS NEEDED AND ALL CUTS ARE TO BE TREATED WITH COLD GALVANIZING COMPOUND.

4.0 TEST

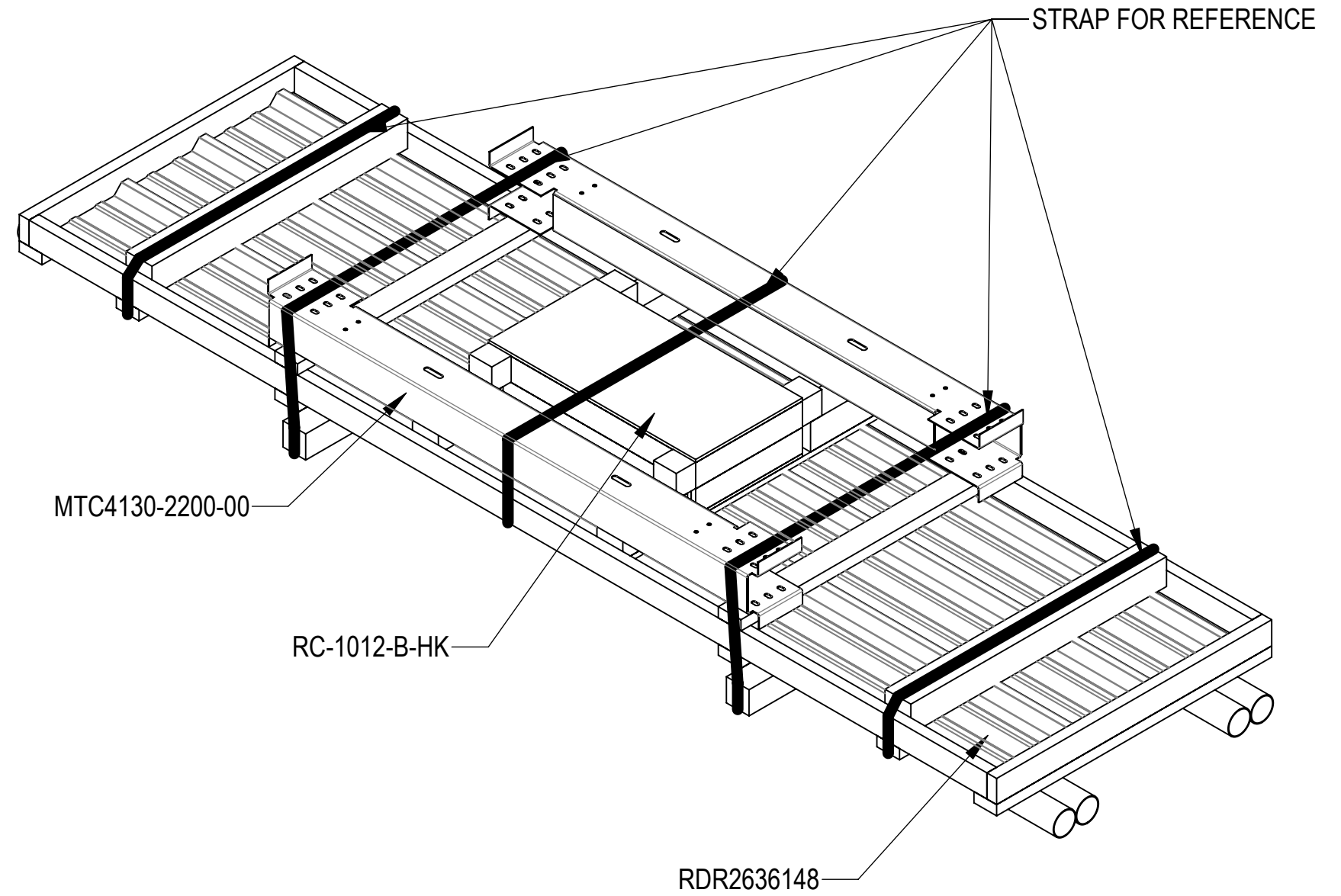
- 5.0 PACKAGING
 5.1 PACKAGING SHALL MEET COMMScope REQUIREMENTS PER DOCUMENT IS-PL-3005
 5.2 PRINTED DOCUMENT TO BE PLACED INSIDE POLYBAG AND THEN IN SHIPPING CONTAINER
 5.3 EXTRA HARDWARE MAY BE SUPPLIED, BAGGED AND SHIPPED

REVISIONS			
REV.	DESCRIPTION	DATE	APPROVED
A	INITIAL RELEASE	RY1002 08APR24	YW1047 40191985CMO



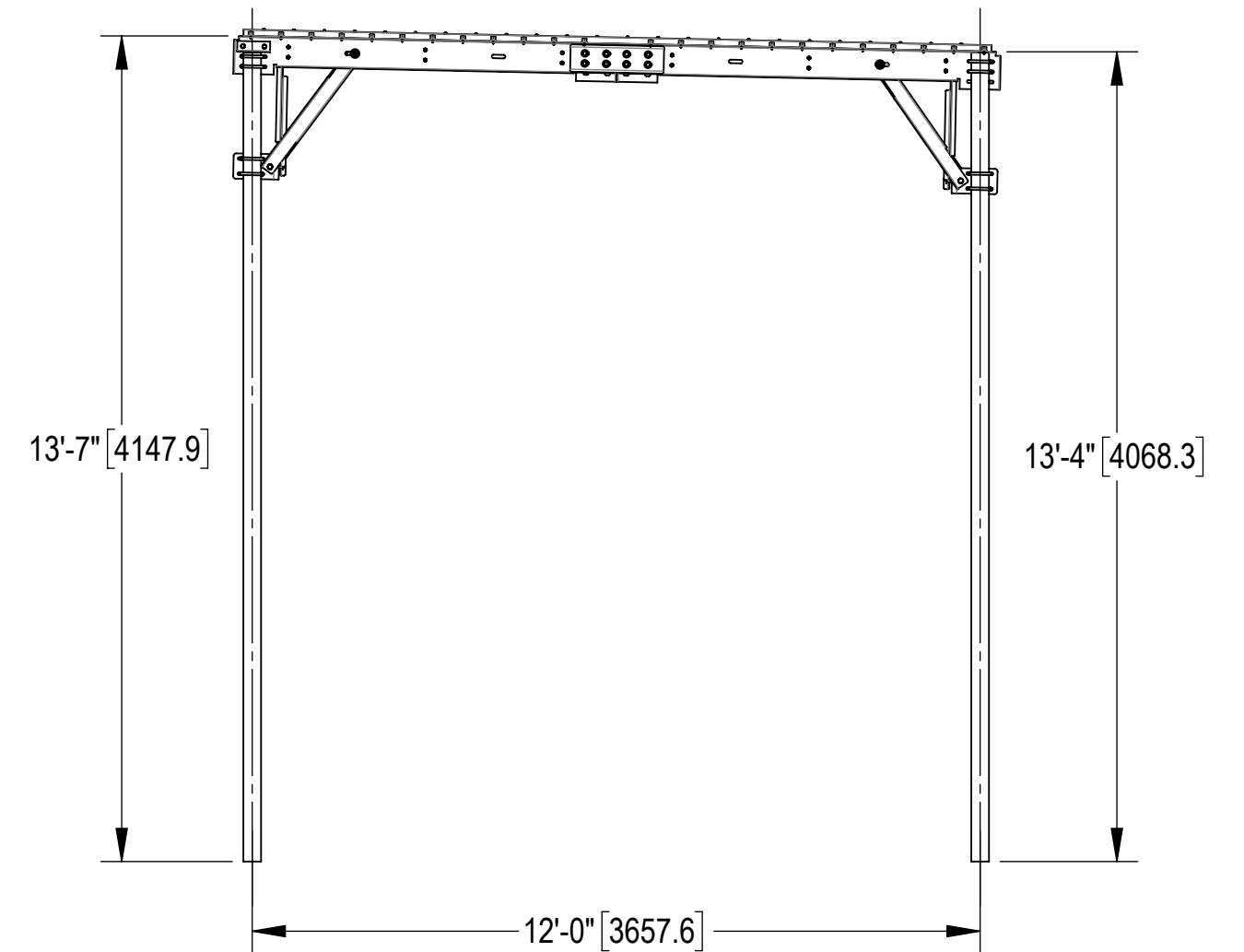
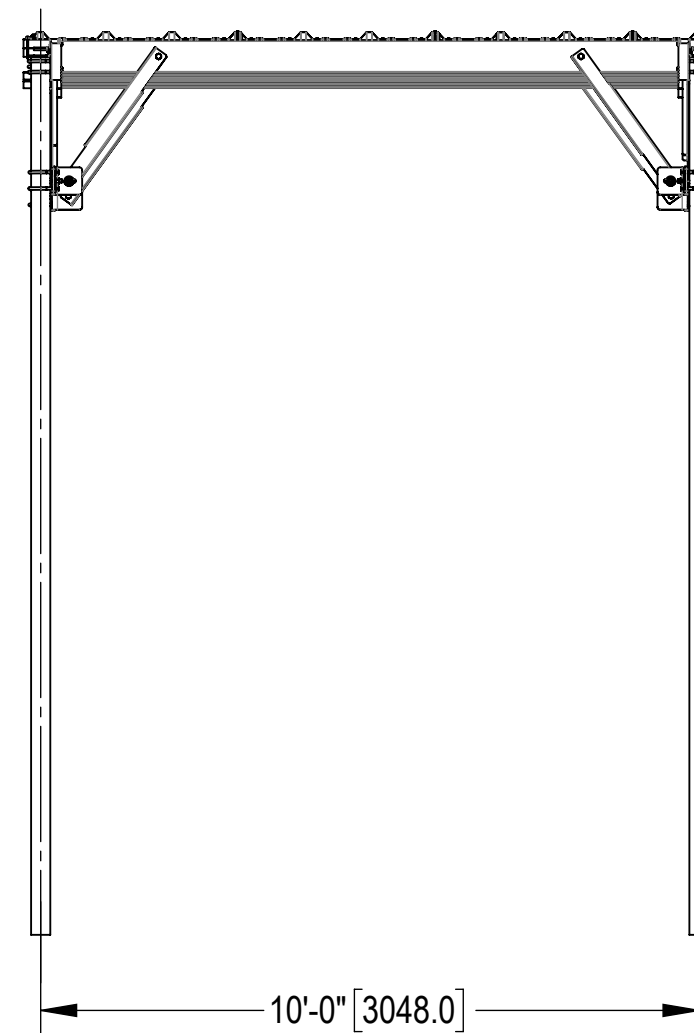
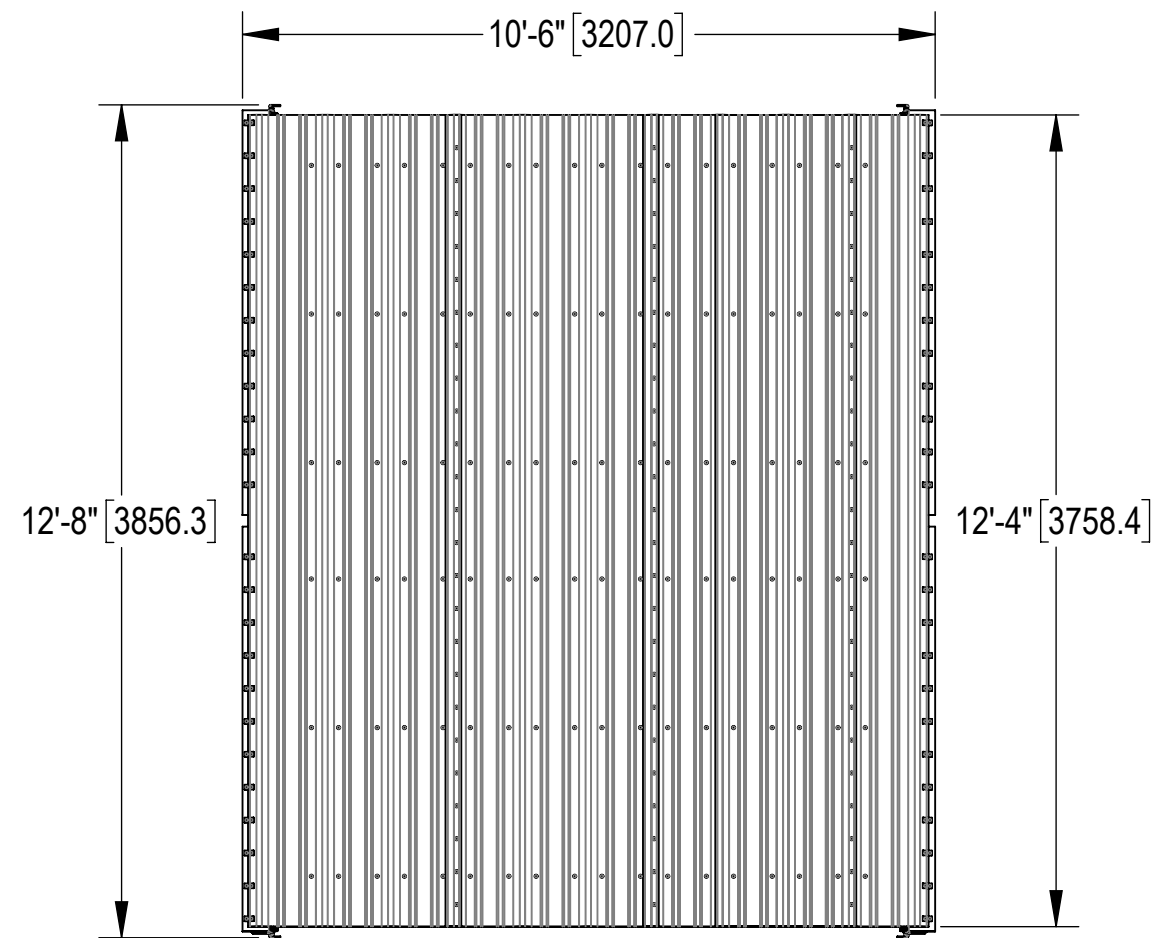
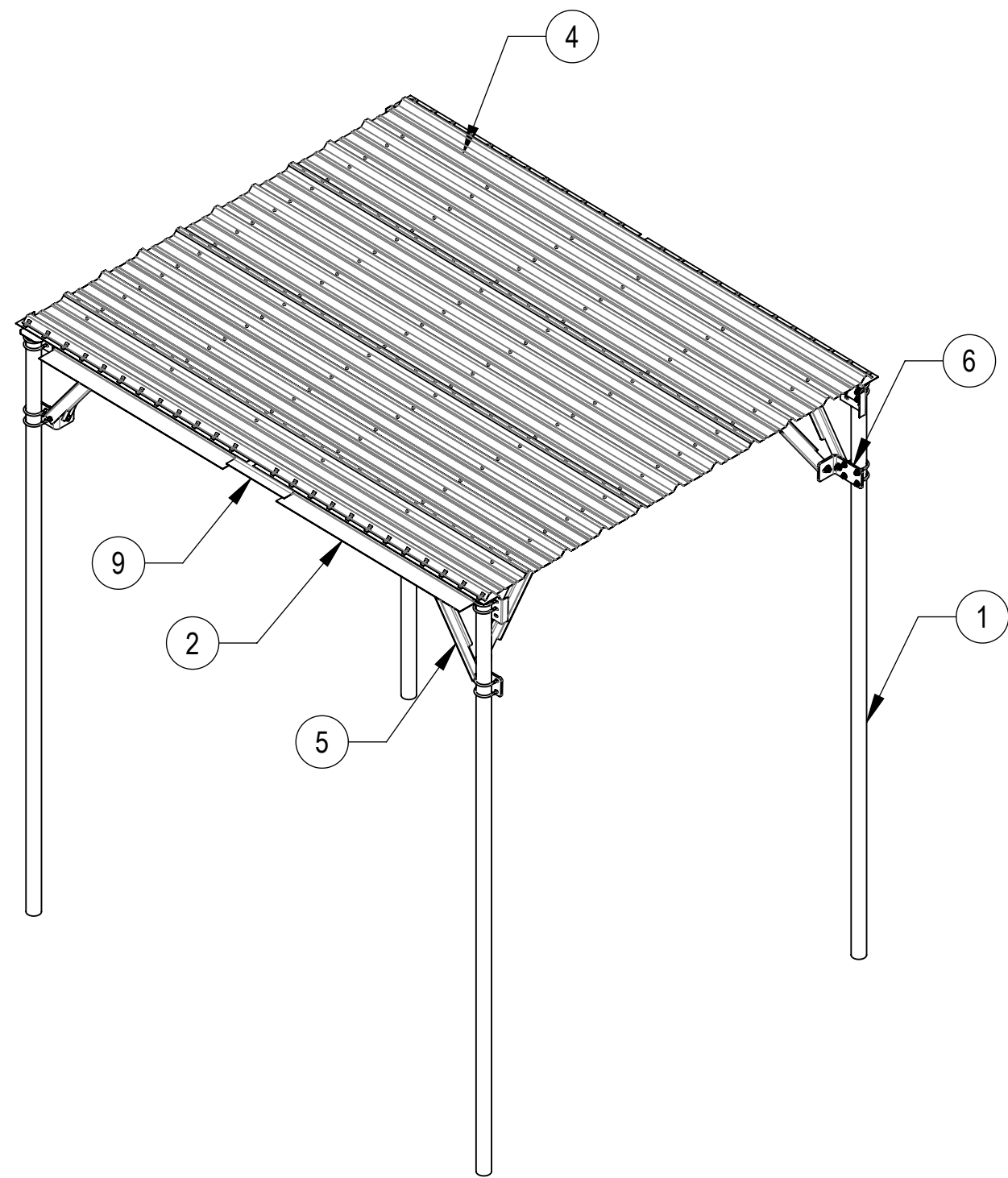
BOTTOM VIEW

PACKAGE



COMMScope, INC. OF NORTH CAROLINA											
TOLERANCES					SAP MATERIAL MASTER						
1 PLACE .X[X] ± 0.2[6.3]			3 PLACE .XXX[X] ± 0.060[1.5]			RC-1012-B					
2 PLACE .XX[X] ± 0.12[3.0]			ANGLES ± 2°								
FINISH					MATERIAL						
10'X12' RAIN CANOPY, 13'-4" BURIAL POST											
SCALE		DOCUMENT NO.									
1:20		RC-1012-B									
SIZE		Auth Group		INSL		MODEL			DRAWING		
C		[Symbol]		[Symbol]		VERSION			STATUS		
00		RE		A		00			RE A		
SHEET 1 OF 5											

DENSITY		lbs/in ³
MASS	959.47	lbs
VOLUME	3377.00	in ³
SURFACE AREA	94483.58	in ²
HEIGHT	164.5"	
LENGTH	151.8"	
WIDTH	126.3"	



COMPONENT PART NUMBERS PROVIDED FOR ASSEMBLY PURPOSES;
INDIVIDUAL COMPONENTS MAY BE SHIPPED AS PARTS WITHIN AN INCLUDED KIT.

ITEM	PART NO.	DESCRIPTION	QTY.	WEIGHT	NOTE NO.
1	MF-130	3.5" O.D. X 13'-4" DIRECT BURIAL PIPE COLUMN	4	57.97 LBS	
2	MTC4130-2200-00	OUTER CHANNEL, ROOF SUPPORT	4	38.33 LBS	
3	MTC4130-8100-00	CANOPY CENTER CHANNEL	6	41.34 LBS	
4	RDR2636148	ROOF DECKING PBR 26 GA 36" X 148"	4	43.72 LBS	
5	MTC4130-3000-00	CANOPY BRACE	8	6.52 LBS	
6	MTC4130-4000-00	CANOPY BRACE ADAPTER	4	9.16 LBS	
7	MTC4130-5000-00	PLATE, 7" X 5"	4	2.76 LBS	
8	MTC4130-6000-00	HEIGHT ADJUSTMENT BRACKET	2	1.26 LBS	
9	MTC4130-9000-00	OUTER CONNECTION CHANNEL	2	6.71 LBS	
10	GUB-4355	1/2" X 3-5/8" X 5" GALV U-BOLT	16	0.71 LBS	
11	GB-04145	1/2" X 1-1/2" GALV BOLT KIT	20	0.13 LBS	
12	GB-03105	3/8" X 1" GALV BOLT KIT	24	0.05 LBS	
13	GB-05205FT	5/8" X 2" GALV BOLT KIT	16	0.26 LBS	
14	GWF-04	1/2" GALV FLAT WASHER	36	0.04 LBS	
15	GWF-05	5/8" GALV FLAT WASHER, 1.70D	12	0.06 LBS	
16	MTC3799C26	CLIP, RDR PANEL	48	0.05 LBS	
17	MTC371531	1/4-14X7/8 SELF DRILLING HEX HEAD SCREW	120	0.02 LBS	
18	TS1275	TEK SCREW #12 X 3/4, WITH NEOPRENE WASHER	156	0.02 LBS	

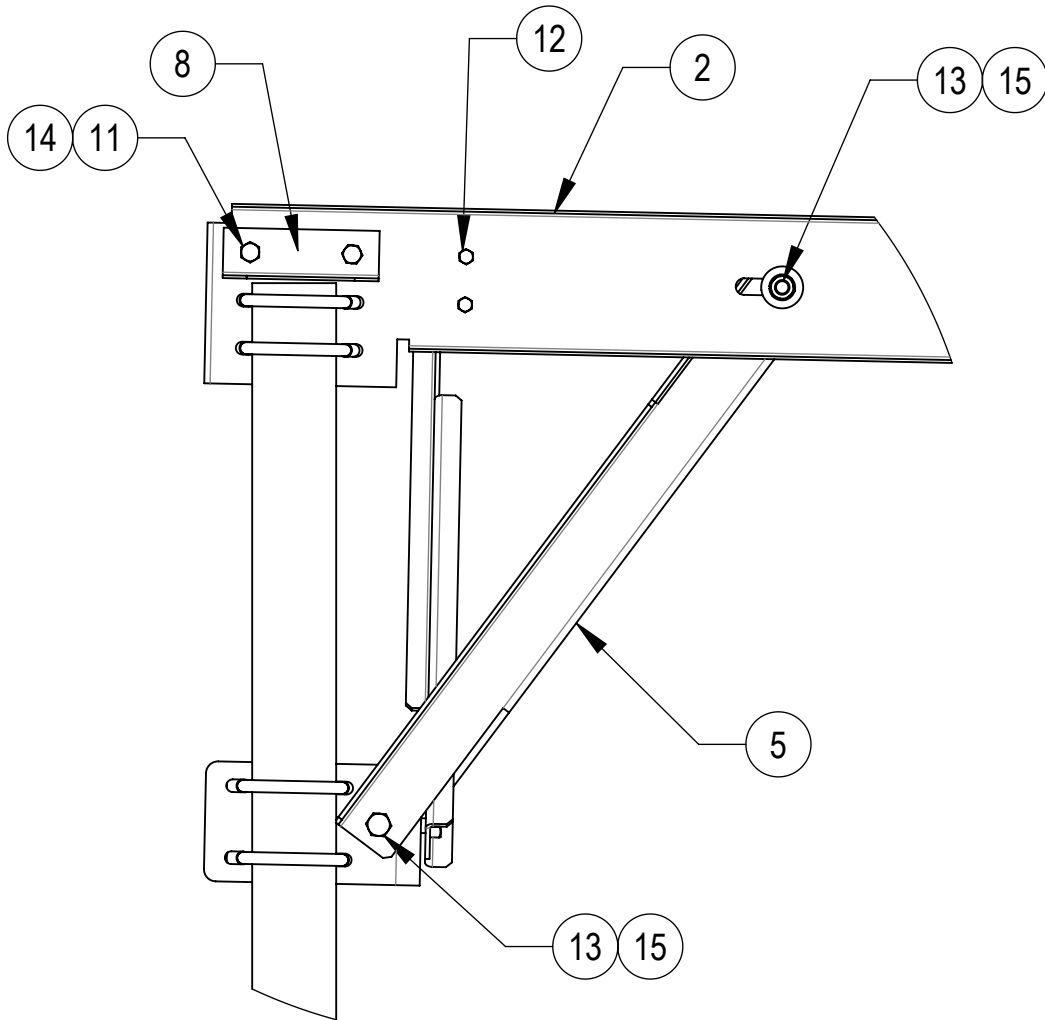
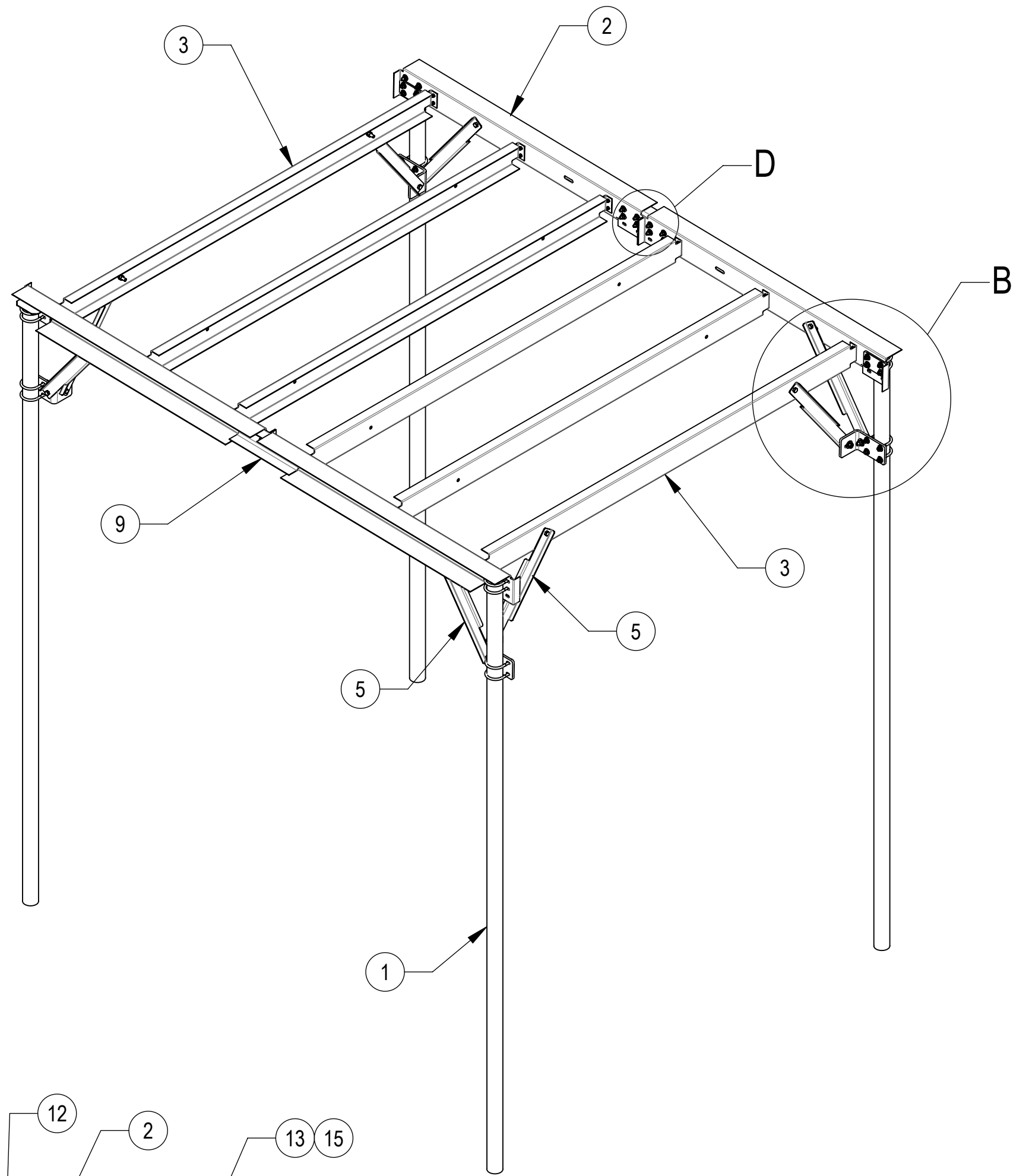
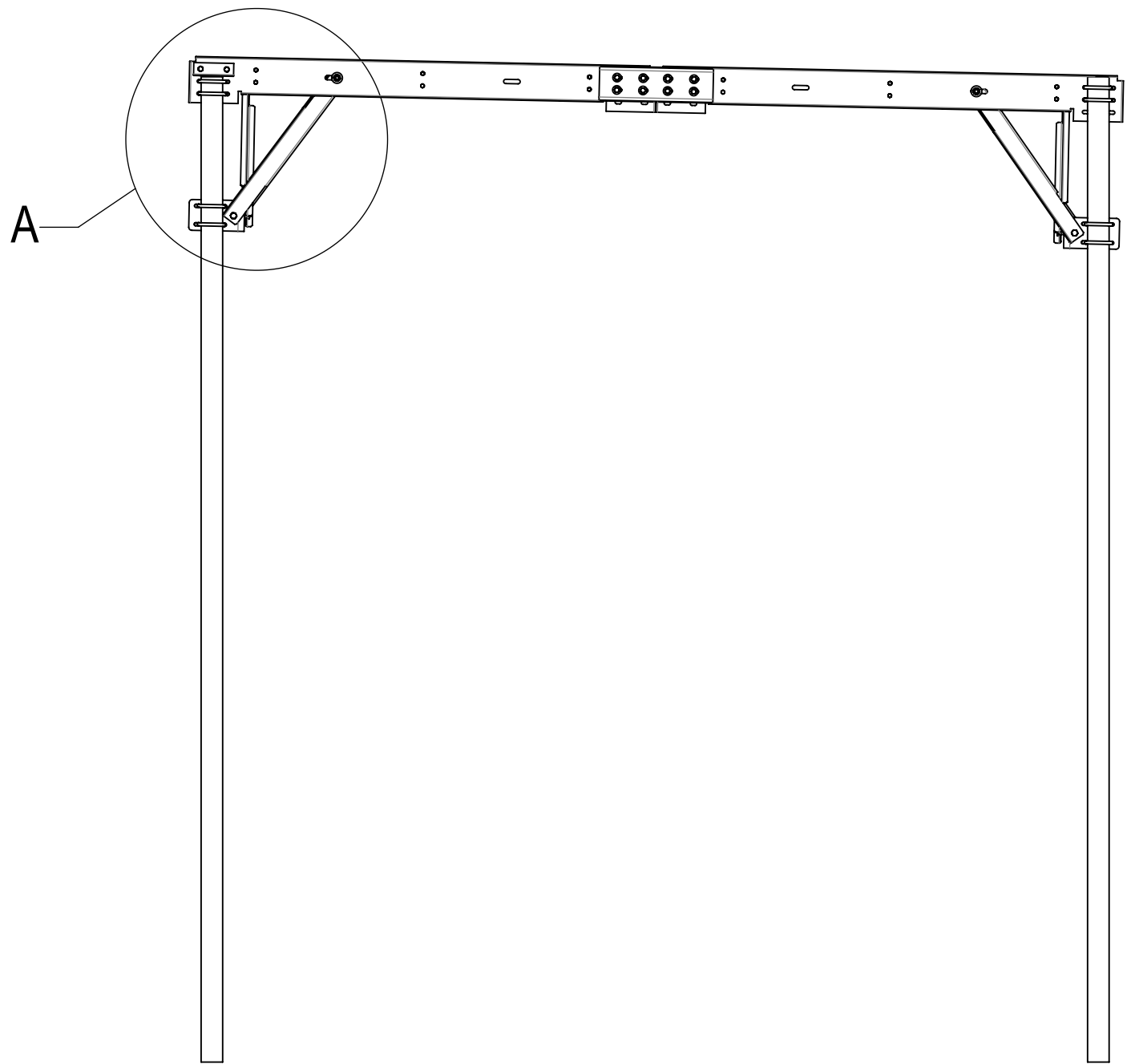
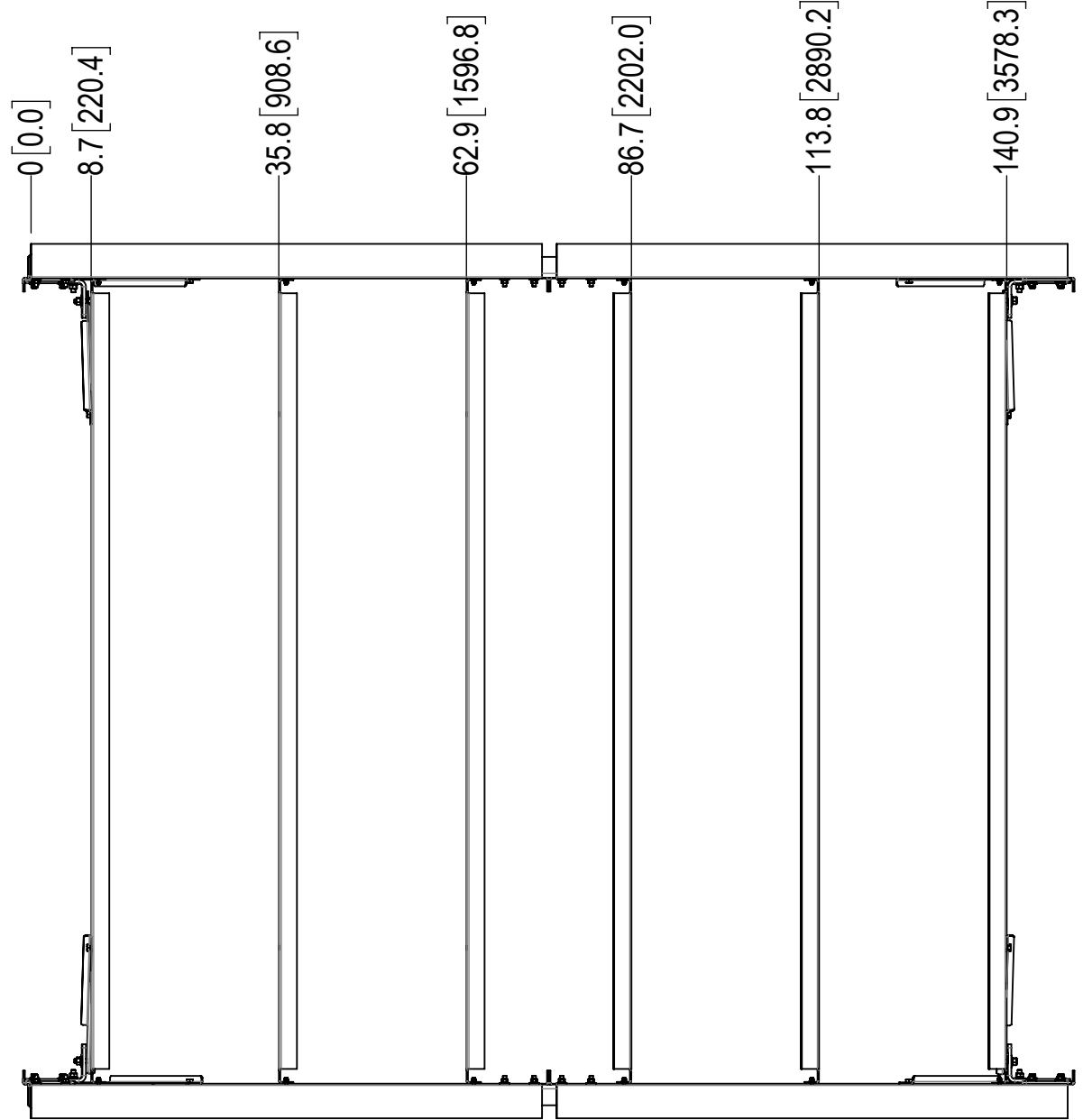
COMMSCOPE, INC. OF NORTH CAROLINA			
TITLE 10'X12' RAIN CANOPY, 13'-4" BURIAL POST			
SIZE C	SCALE 1:35	DOCUMENT NO. RC-1012-B	
DRAWING		VERSION	REVISION
SHEET 2 OF 5		00	RE A

4

3


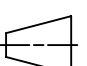
2

1



DETAIL A
SCALE 1 : 8

HIDE ROOF DECKING FOR CLARITY

COMMSCOPE, INC. OF NORTH CAROLINA					
TITLE 10'X12' RAIN CANOPY, 13'-4" BURIAL POST					
SIZE C	SCALE 1:32	DOCUMENT NO. RC-1012-B			
 		DRAWING			SHEET 3 OF 5
		VERSION 00	STATUS RE	REVISION A	

4

3

2

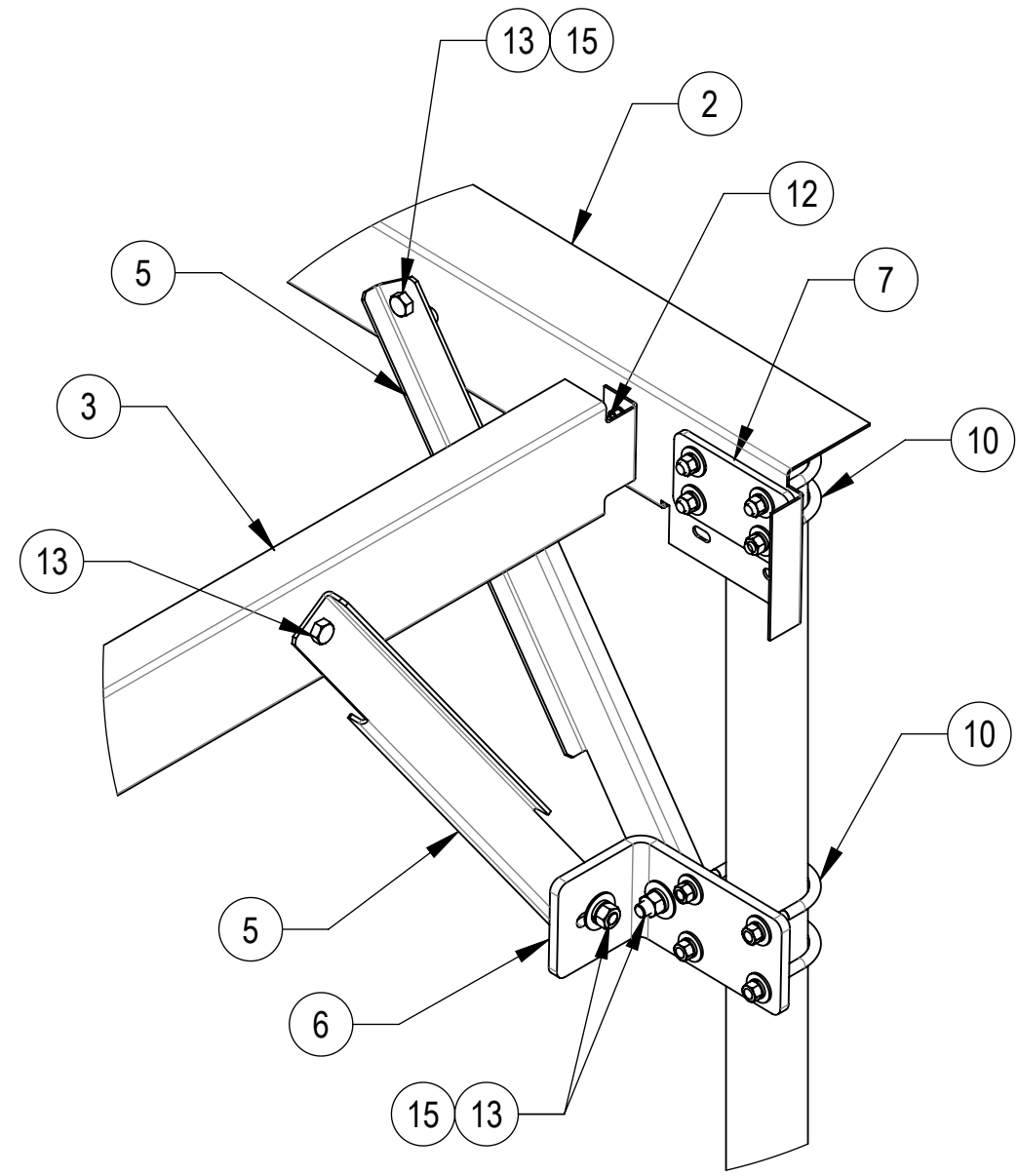
1

4

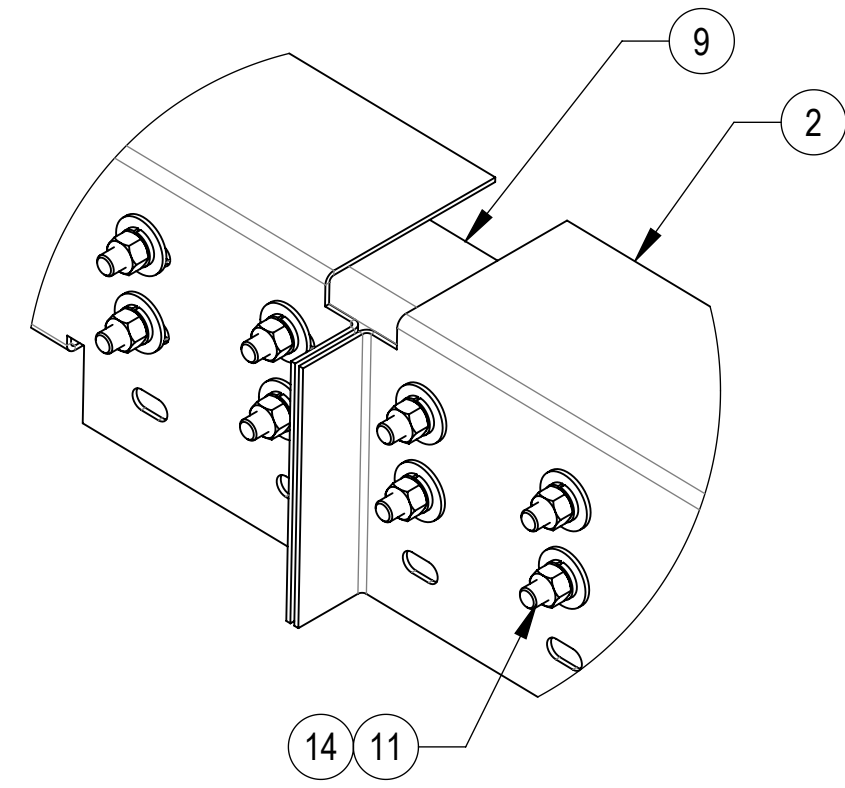
3

2

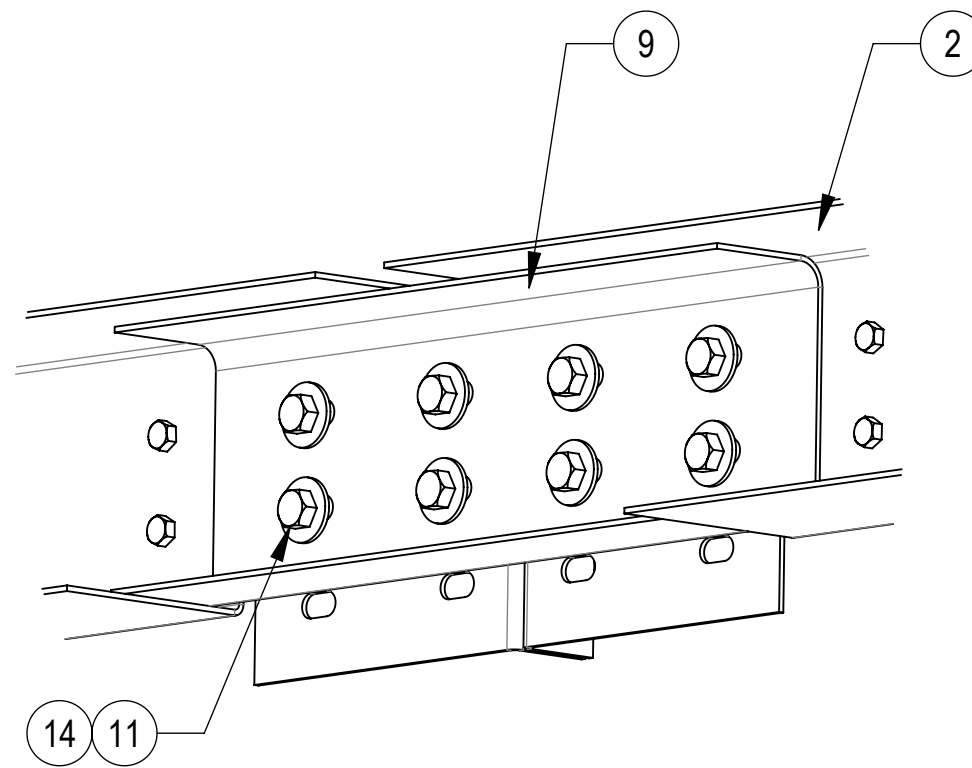
1



DETAIL B
SCALE 1 : 8



DETAIL D
SCALE 1 : 4



DETAIL D
BACK VIEW
SCALE 1 : 4

COMMSCOPE, INC. OF NORTH CAROLINA					
TITLE 10'X12' RAIN CANOPY, 13'-4" BURIAL POST					
SIZE C	SCALE 1:20	DOCUMENT NO. RC-1012-B			
		DRAWING			SHEET 4 OF 5
		VERSION 00	STATUS RE	REVISION A	

4

3

2

1

D

D

C

C

B

B

A

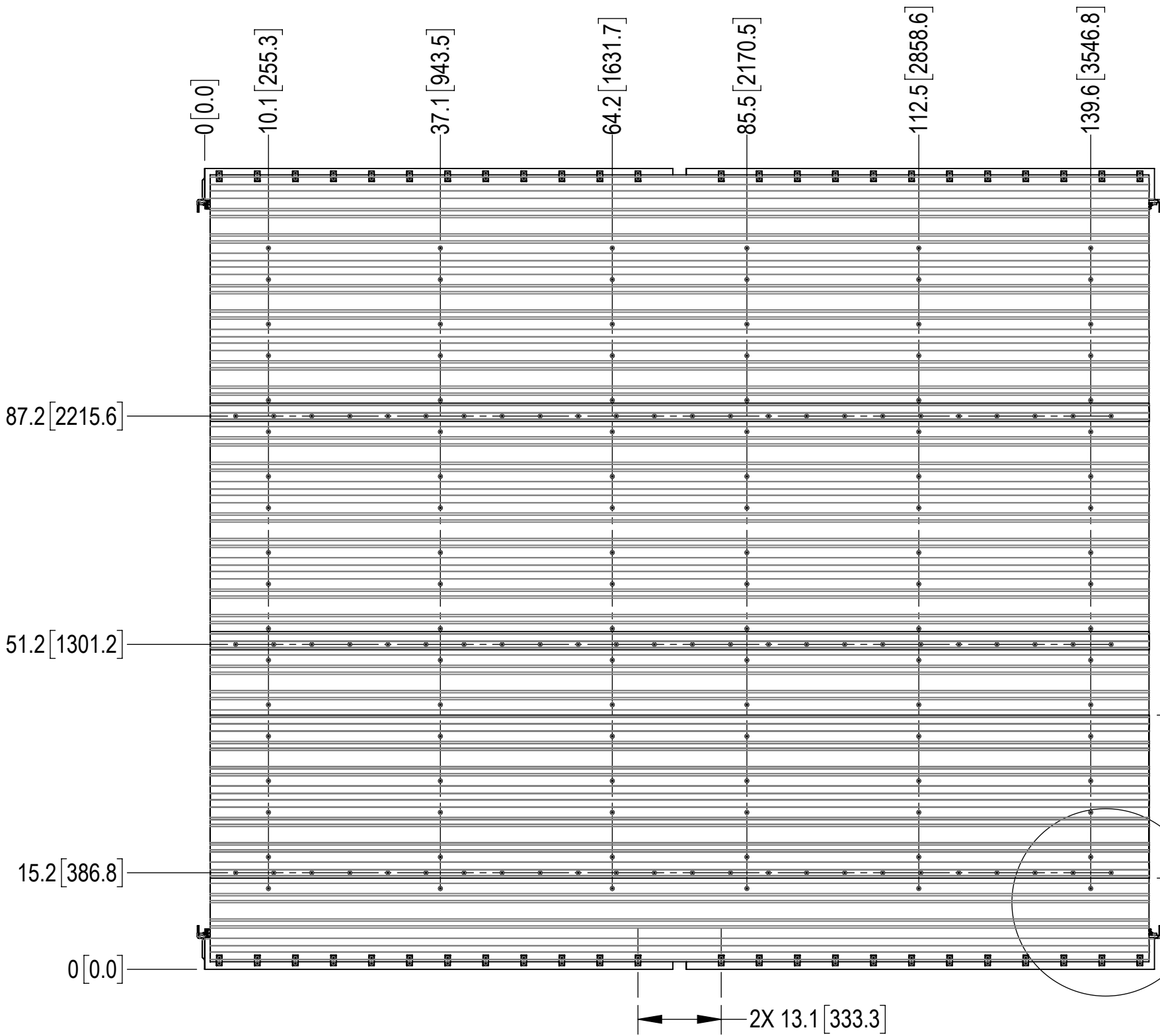
A

4

3

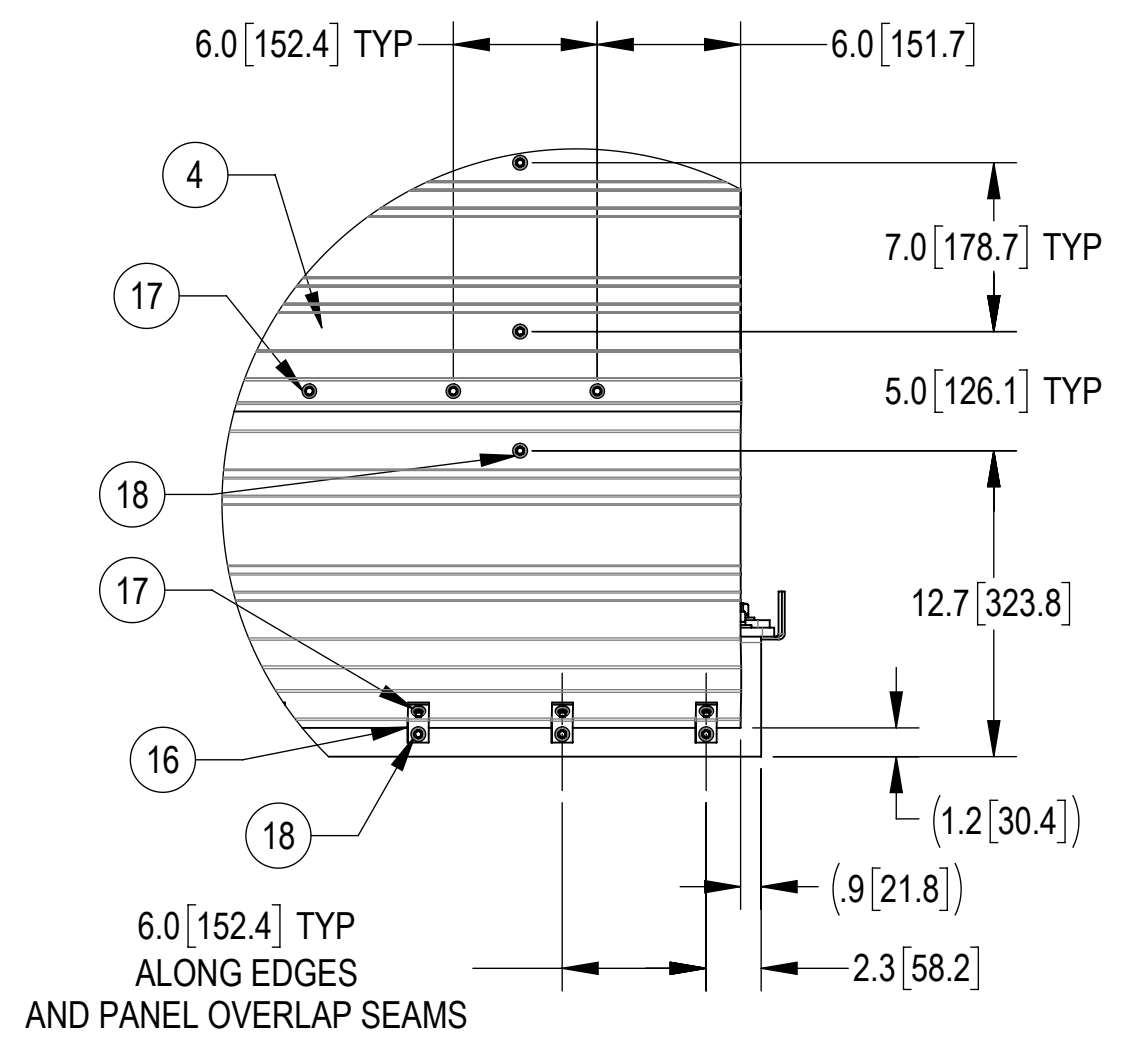
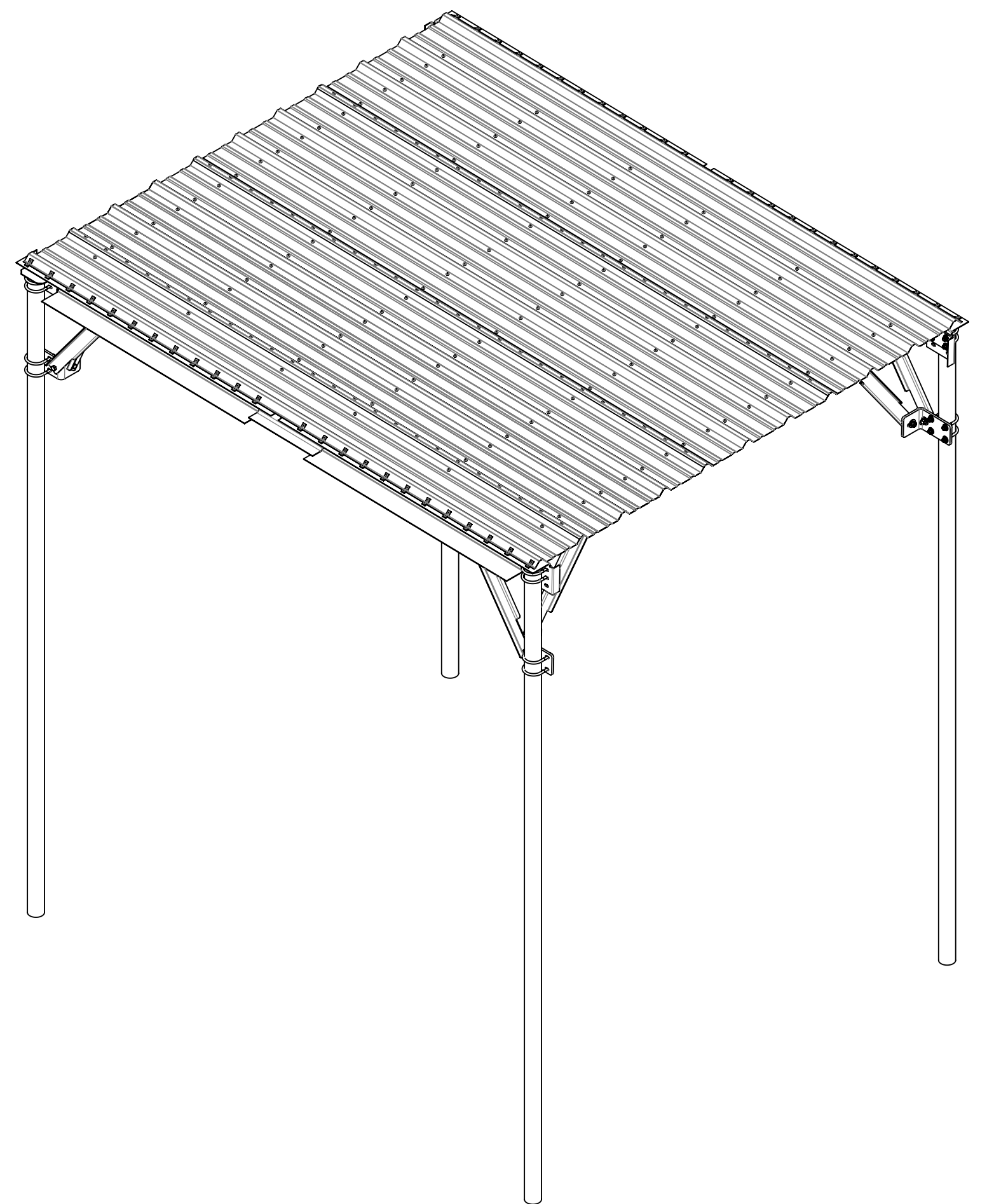
2

1


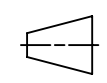


OVERLAP WITH LAST DECK MATERIAL.
(COULD BE TRIMMED IF NEED)

E



DETAIL E
SCALE 1 : 8

COMMSCOPE, INC. OF NORTH CAROLINA				
TITLE 10'X12' RAIN CANOPY, 13'-4" BURIAL POST				
SIZE C	SCALE 1:25	DOCUMENT NO. RC-1012-B		
 		DRAWING		SHEET
		VERSION 00	STATUS RE	REVISION A