

4

3

2

1

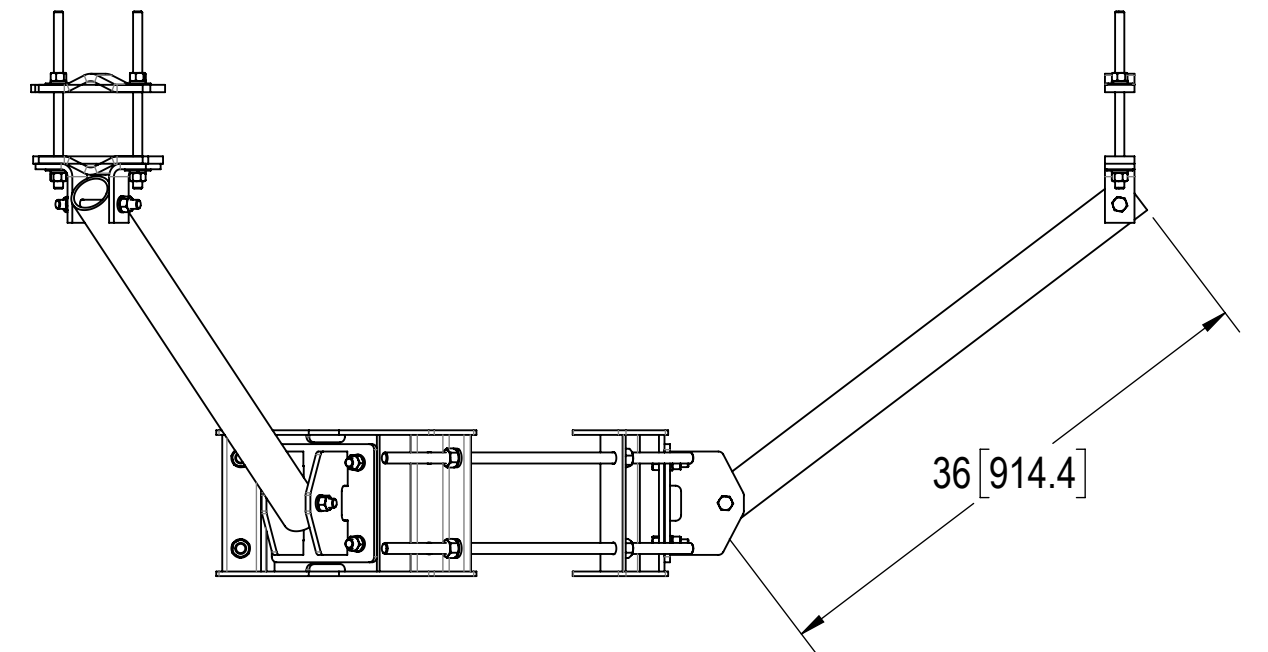
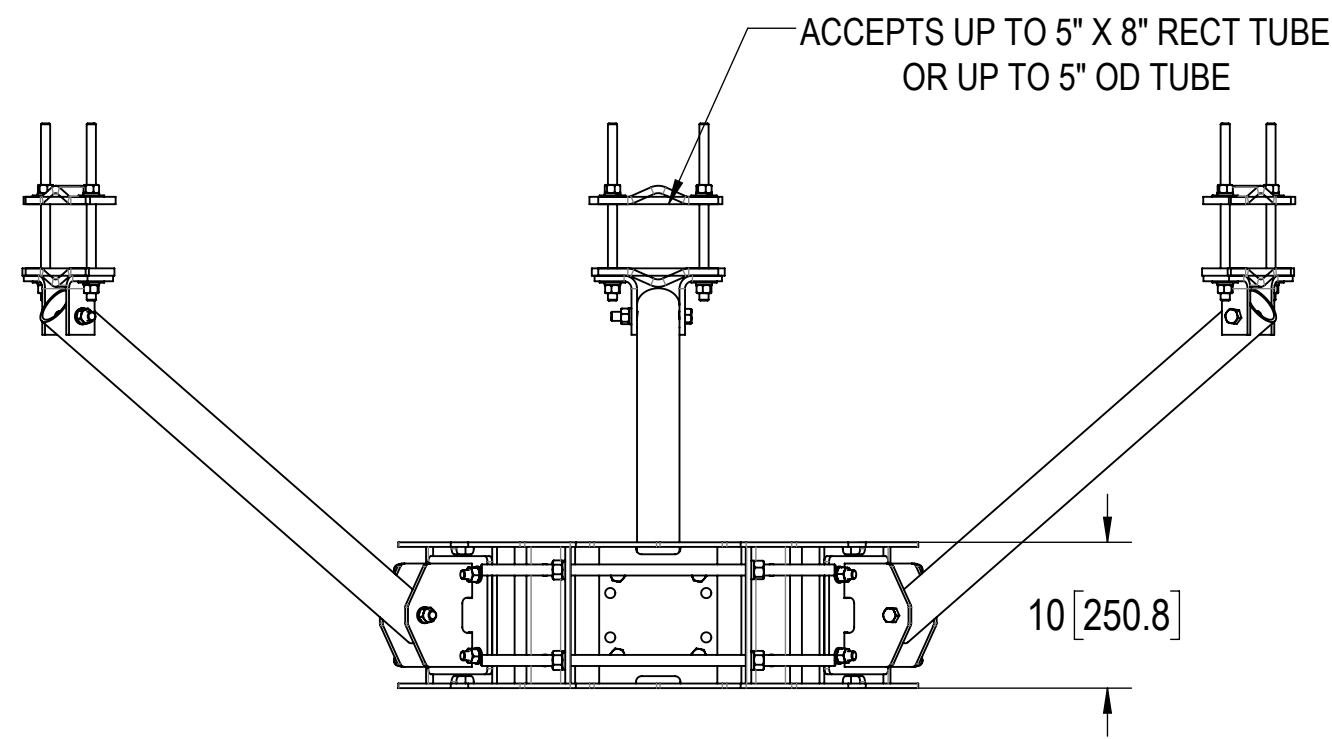
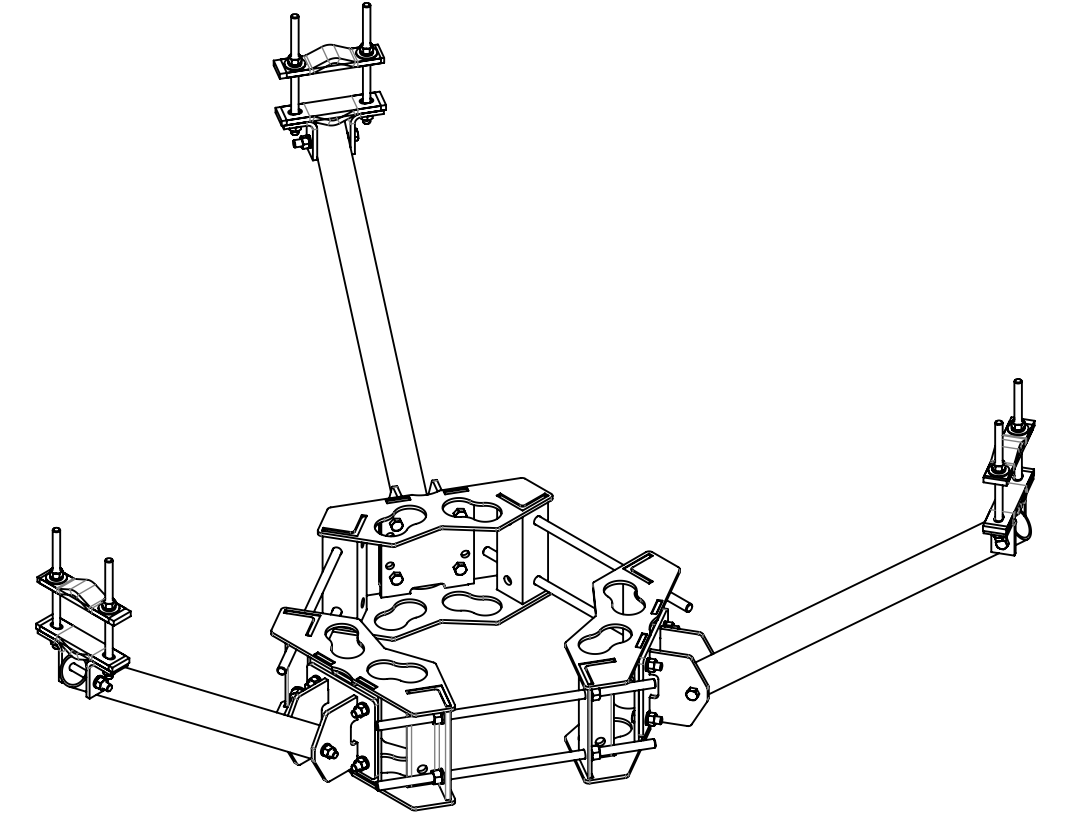
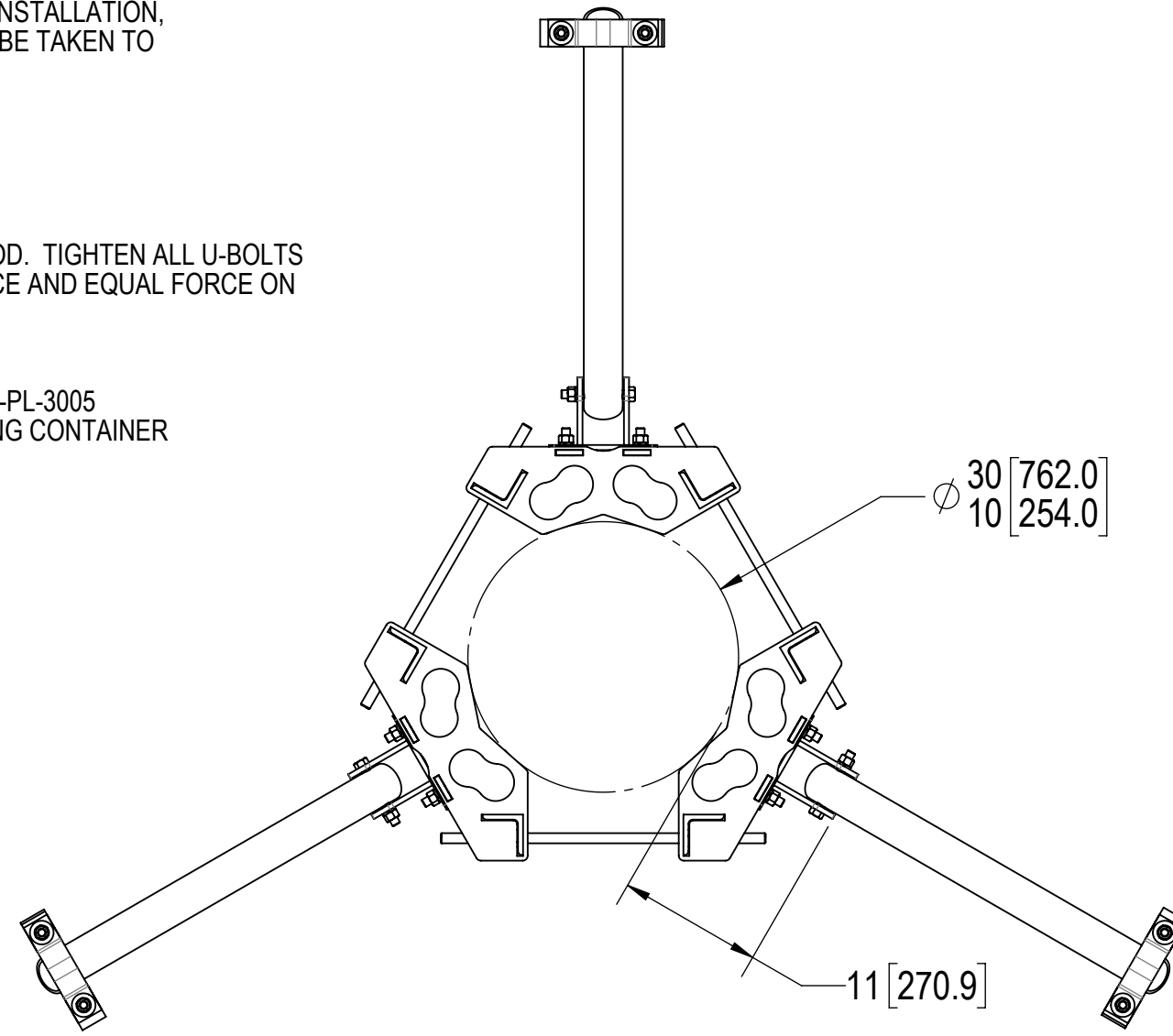
- 1.0 GENERAL NOTES
 - 1.1 ALL METRIC DIMENSIONS ARE IN BRACKETS [X.X]
 - 1.2 FOR PATENT INFO: <https://www.cs-pat.com>


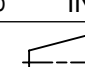
- 2.0 DESIGN NOTES
 - 2.1 ANY HAZARDS OR OBSTRUCTIONS TO THE CLIMBING FACILITY AND SAFETY CLIMB MUST BE IDENTIFIED PRIOR TO INSTALLING THE APPURTENANCE. ADDITIONAL PRODUCTS MAY BE REQUIRED TO MAINTAIN THE INTEGRITY OF THE SAFETY CLIMB. DURING INSTALLATION, TEMPORARY AND/OR PERMANENT PRECAUTIONARY MEASURES SHOULD BE TAKEN TO PRESERVE THE CLIMBING FACILITY AND/OR SAFETY CLIMB.
 - 2.2 FITS MONOPOLES 10"- 30" OD.
 - 2.3 USE DCP10 FOR ROUND TUBE STAND-OFF ARM.
 - 2.4 USE MTC323704 FOR RECTANGLE TUBE STAND-OFF ARM.
 - 2.5 CUT THREADED RODS AS NEEDED FOR PROPER LENGTH.

- 3.0 MANUFACTURING/SPECIAL REQUIREMENTS
 - 3.1 TIGHTEN ALL BOLTS SECURING FLAT PLATES BY THE TURN-OF-NUT METHOD. TIGHTEN ALL U-BOLTS USING TURN-OF-NUT METHOD WITH ATTENTION TO LEAVE EQUAL DISTANCE AND EQUAL FORCE ON EACH LEG OF THE U-BOLT.

- 4.0 TEST
- 5.0 PACKAGING
 - 5.1 PACKAGING SHALL MEET COMMSCOPE REQUIREMENTS PER DOCUMENT IS-PL-3005
 - 5.2 PRINTED DOCUMENT TO BE PLACED INSIDE POLYBAG AND THEN IN SHIPPING CONTAINER
 - 5.3 EXTRA HARDWARE MAY BE SUPPLIED, BAGGED AND SHIPPED

REVISIONS			
REV.	DESCRIPTION	DATE	APPROVED
A	INITIAL RELEASE	MSM 22SEP14	TP 8000005392
B	MTC306503W WAS MTC306503	RJC 09SEP15	TP 8000009889
C	MT38424 WAS MT38430B7; MT-381 WAS MT-381-8; GB-0550A WAS GB-0546A	YMENG 12APR24	CB1094 40193236CMO



COMMSCOPE, INC. OF NORTH CAROLINA												
TOLERANCES						SAP MATERIAL MASTER						
1 PLACE .X[X] ± .12[3.0]			3 PLACE .XXX[X] ± .030[0.8]			RK-36-3S						
2 PLACE .XX[X] ± .06[1.5]			ANGLES ± 2°									
FINISH						MATERIAL						
UNLESS OTHERWISE SPECIFIED DIMENSIONS ARE IN INCHES INTERPRET PER ANSI Y 14.5M-1994	NAME		DATE		TITLE							
	CE	MSM	22SEP14		REINFORCEMENT KIT, 3-SEC, 36" ARM, 10-30							
	RW	YMENG	04/24/2024									
	AD	CB1094	04/24/2024		SCALE		DOCUMENT NO.					
	RE	YMENG	04/24/2024		1:16		RK-36-3S					
ECN 40193236CMO												
SIZE		Auth Group		INSL		MODEL			DRAWING			SHEET 1 OF 2
C		 				VERSION			STATUS			
						02			RE D 01 RE C			

DENSITY		lbs/in ³
MASS	253.34	lbs
VOLUME	899.01	in ³
SURFACE AREA	6596.60	in ²
HEIGHT		
LENGTH		
WIDTH		

© 2024 CommScope, Inc. Confidential

4

3

2

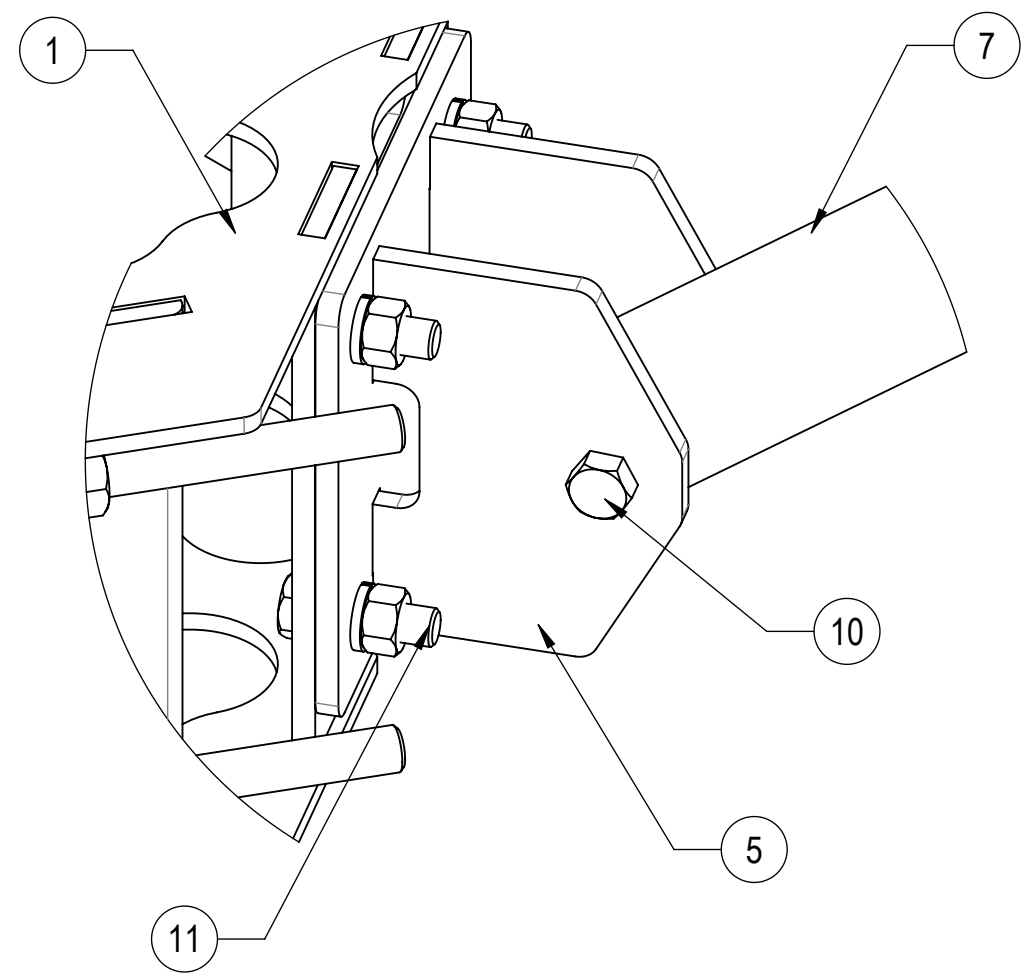
1

4

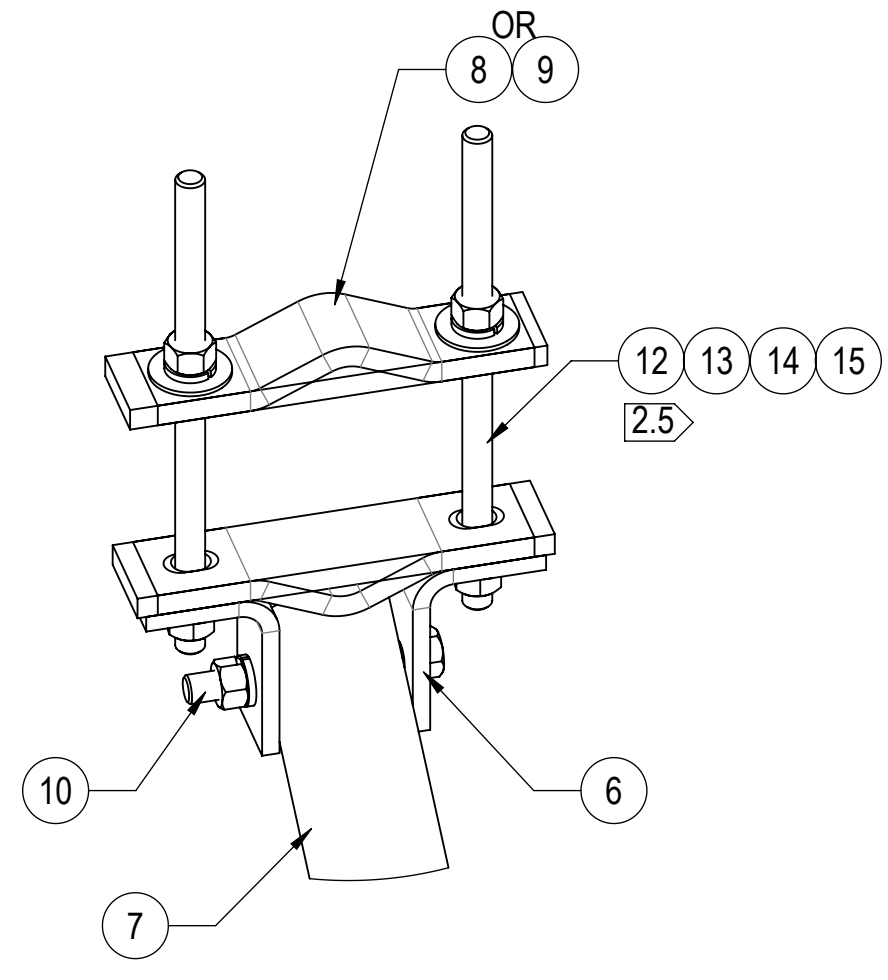
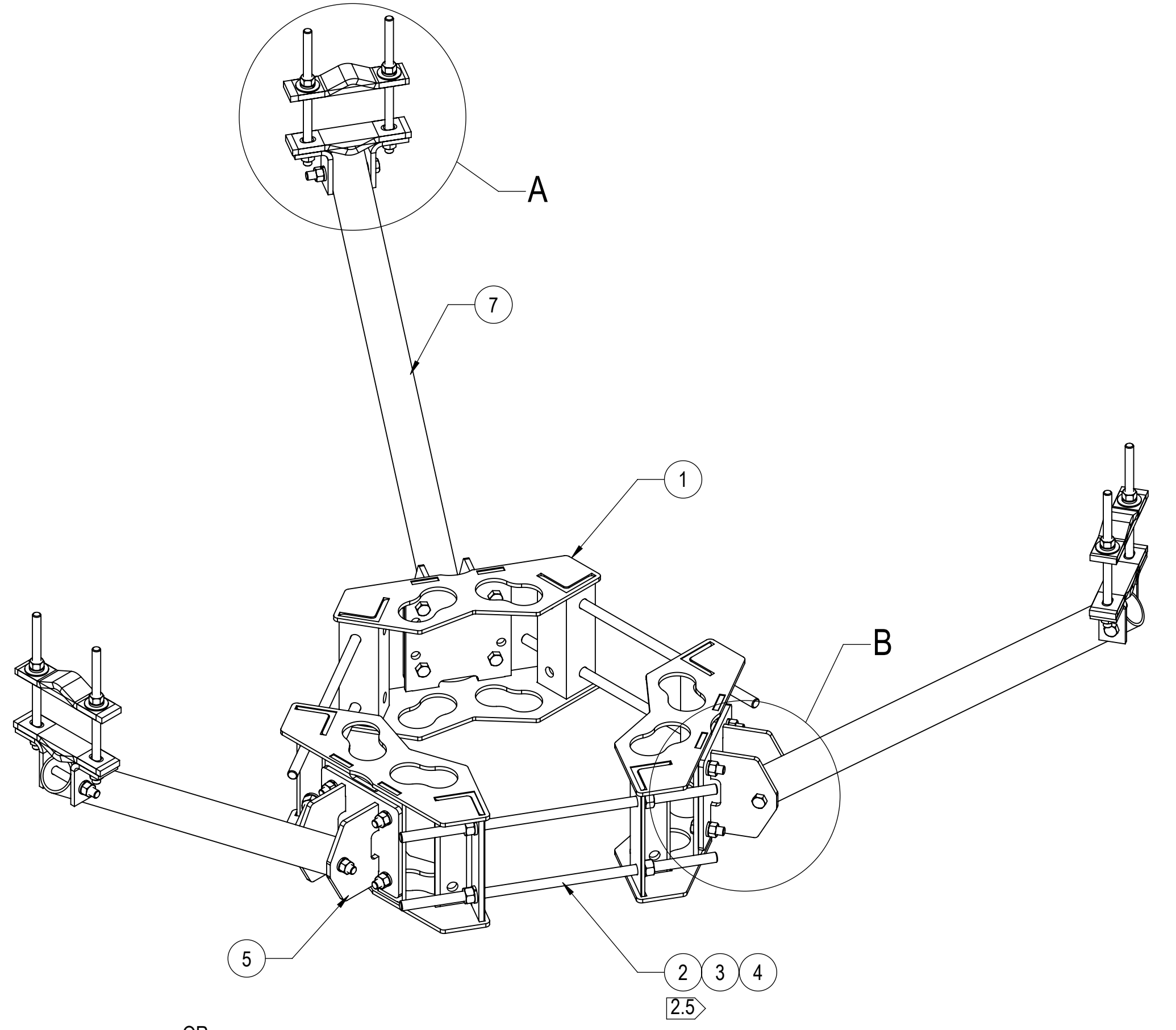
3

2

1




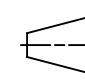
DETAIL B
SCALE 1 : 3



DETAIL A
SCALE 1 : 4

COMPONENT PART NUMBERS PROVIDED FOR ASSEMBLY PURPOSES;
INDIVIDUAL COMPONENTS MAY BE SHIPPED AS PARTS WITHIN AN INCLUDED KIT.

ITEM	PART NO.	DESCRIPTION	QTY.	WEIGHT	NOTE NO.
1	MTC306503W	1030 RINGMOUNT WELDMENT	3	30.93 LBS	
2	MT38424	3/4" X 24" GALV THREADED ROD	6	2.99 LBS	2.5
3	GWL-06	3/4" GALV LOCK WASHER	12	0.04 LBS	
4	GN-06	3/4" GALV HEX NUT	12	0.15 LBS	
5	RK01	KICKER STANDOFF WELDMENT	3	12.54 LBS	
6	RK02	CONNECTION BRACKET	6	1.21 LBS	
7	RK36	KICKER ARM SUPPORT TUBE , 36"	3	17.20 LBS	
8	DCP10	CLAMP HALF:1/2", 11/16" HOLE,5-3/4"	6	2.21 LBS	2.3
9	MTC323704	CLAMP BAR	6	2.37 LBS	2.4
10	GB-0550A	5/8" X 5" GALV BOLT KIT (A325)	6	0.52 LBS	
11	GB-0520A	5/8" X 2" GALV BOLT KIT (A325)	12	0.26 LBS	
12	MT-381	5/8" X 12" GALV THREADED ROD	6	1.04 LBS	2.5
13	GWF-05	5/8" GALV FLAT WASHER, 1.7OD	12	0.06 LBS	
14	GWL-05	5/8" GALV LOCK WASHER	12	0.03 LBS	
15	GN-05	5/8" GALV HEX NUT	12	0.08 LBS	

COMMSCOPE, INC. OF NORTH CAROLINA				
TITLE REINFORCEMENT KIT, 3-SEC, 36" ARM, 10-30				
SIZE C	SCALE 1:24	DOCUMENT NO. RK-36-3S		
DRAWING		VERSION	STATUS	REVISION
 		01	RE	C
				SHEET 2 OF 2

© 2024 CommScope, Inc. Confidential