



# Rooftop and Water Tower

## Product Selection Guide

June 2024

COMMScope®

# Contents

<b>Structural Support Solutions</b> .....	<b>3</b>
<b>Resources</b> .....	<b>4</b>
CommScope Distribution Locations .....	5
Corporate and steel product locations .....	6
<b>Roof Top Applications</b> .....	<b>7</b>
High Capacity Single and Dual Penetrating Rooftop Frame .....	8
High Capacity Single and Dual Ballasted Rooftop Frame .....	9
PIM-Guard Single and Dual Ballasted Rooftop Frames .....	10
Rooftop Frames - Non-penetrating .....	11
Rooftop Frames - Penetrating .....	13
Chimney Mounts .....	14
Radio Mounts .....	15
Tripod Mounts .....	16
Parapet & Cube Mounts .....	18
Wall Mounting Components .....	19
Galvanized Cable Support Components .....	21
Wall Cable Support Components .....	22
<b>Water Tower</b> .....	<b>23</b>
Stackable Water Tower Pod Mounts .....	24
Water Tower Sector Frames .....	26
Water Tower Mounts .....	27
Water Tower Cable Support Components .....	28



## Structural Support Solutions

CommScope provides Structural Support Solutions that deliver stability, durability, and precision for the most important networks in the world. Our premium Structural Support Solutions reinforce your structure and optimize antenna performance. As a result, these solutions help you realize significant, long-term OpEx savings.

Our support systems are suited to be used on virtually any kind of tower, monopole, roof top structure or water tower. Each solution is engineered to meet or exceed the latest EIA/TIA code requirements and conform to both ISO-9001 standards and AISC specifications. This proven excellence enables network operators to:

- Minimize or eliminate antenna misalignment
- Utilize available spectrum more efficiently
- Improve RF path integrity and overall network performance
- Increase throughput and quality of service
- Mitigate customer churn and total cost of ownership

Because our components are engineered and manufactured to the highest standards and most exact specifications, you can rest assured they've been designed to fit snugly on your tower and fabricated to withstand the harshest elements. Whether you need additional U-bolts for your mount, or struts and brackets for your microwave, pipe or stand-off mounts, we deliver the most durable mounting components to keep your antenna properly aligned.



# Resources

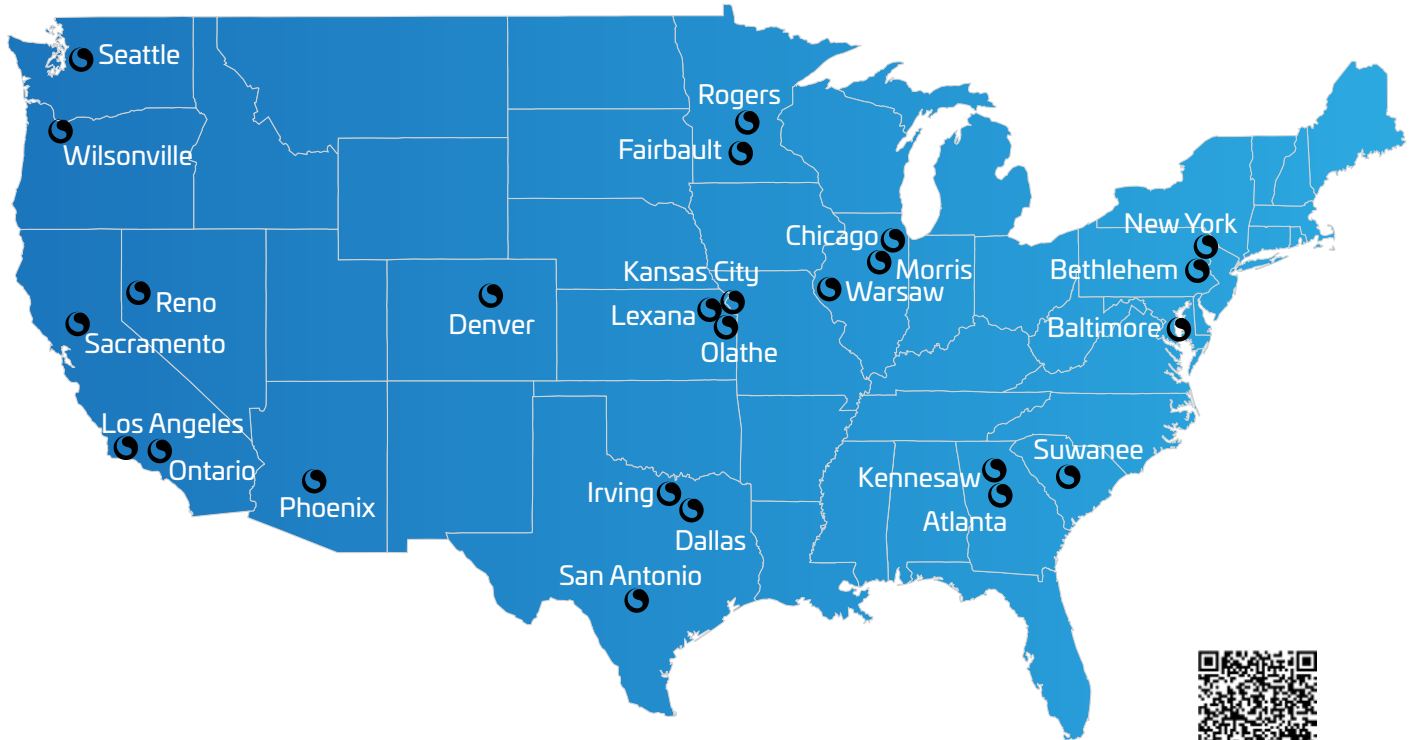
[Where to buy](#)

[Key CommScope locations](#)

[CommScope North American locations](#)

# CommScope Distribution Locations

Where now meets next



[View our full product line](#)

Served By

TALLEY®

T tessco

PRIMUS

KGP Co.

ANIXTER

Grayba.R.

For product support questions  
email us directly at: [Steelproducts@commscope.com](mailto:Steelproducts@commscope.com)

For Engineering Resources and More:  
Register or Log into "My CommScope"

# Corporate and steel product locations

## Corporate Headquarters

1100 CommScope Place SE,  
Hickory, NC 28602  
(828) 324-2200

## Tech Support

(800) 255-1479 OR  
Create a Tech Support ticket online at:  
[www.commscope.com/wisupport](http://www.commscope.com/wisupport)

## Steel Product Manufacturing

11312 S Pipeline Rd,  
Euless, TX 76040  
Email [steelproducts@commscope.com](mailto:steelproducts@commscope.com)



## CommScope North American locations



Contact us directly with product support questions via email:  
[steelproducts@commscope.com](mailto:steelproducts@commscope.com)



## Roof Top Applications

Single and Dual Penetrating Rooftop Frame  
Single and Dual Ballasted Rooftop Frame  
Medium Capacity Roof Frames  
Rooftop Frames - Non-penetrating  
Rooftop Frames - Penetrating  
Chimney Mounts  
Radio Mounts  
Tripod Mounts  
Universal Tripod Mounts

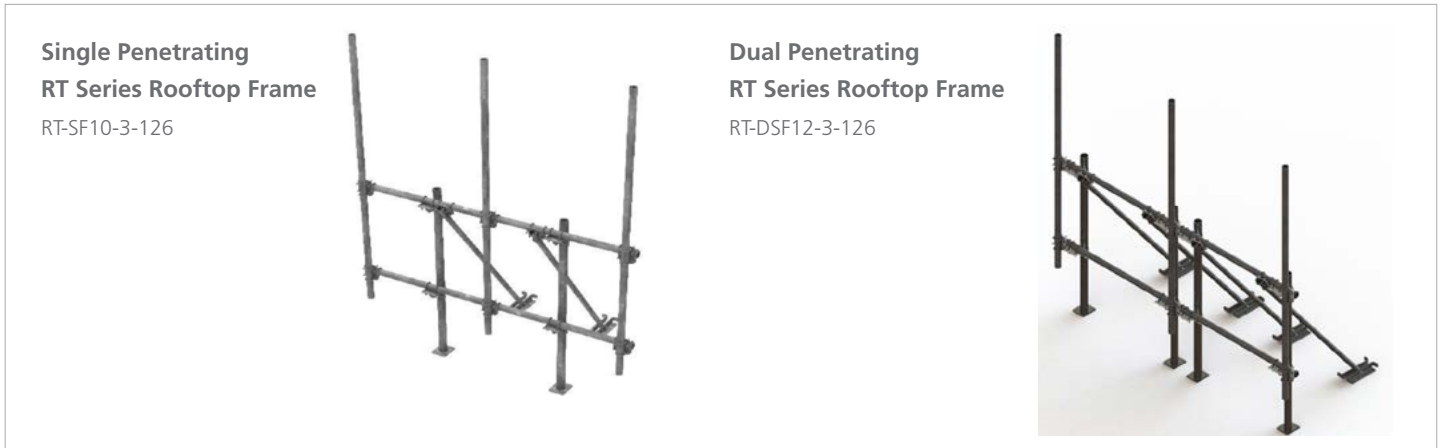
Parapet & Cube Mounts  
Wall Mounting Components  
Galvanized Cable Support Components  
Wall Cable Support Components

# High Capacity Single and Dual Penetrating Rooftop Frame

## Ordering information

CommScope now offers a complete line of high-capacity rooftop pipe sector frames designed for increased loading and lower EPA than traditional angle-based rooftop frames. The new RT-Series rooftop mounts are available in both penetrating and non-penetrating frame designs with multiple face size and pipe count options offered as a single part number to simplify ordering.

The RT-Series rooftop mounts all feature heavy duty 2 7/8" OD face pipes and antenna pipes and are rated to both AT&T and TIA-5053 standards with up to 5 antenna pipes (face width dependent). The frame features built-in mechanical adjustments for roof pitch with either single or dual frame versions to maximize load bearing capabilities.



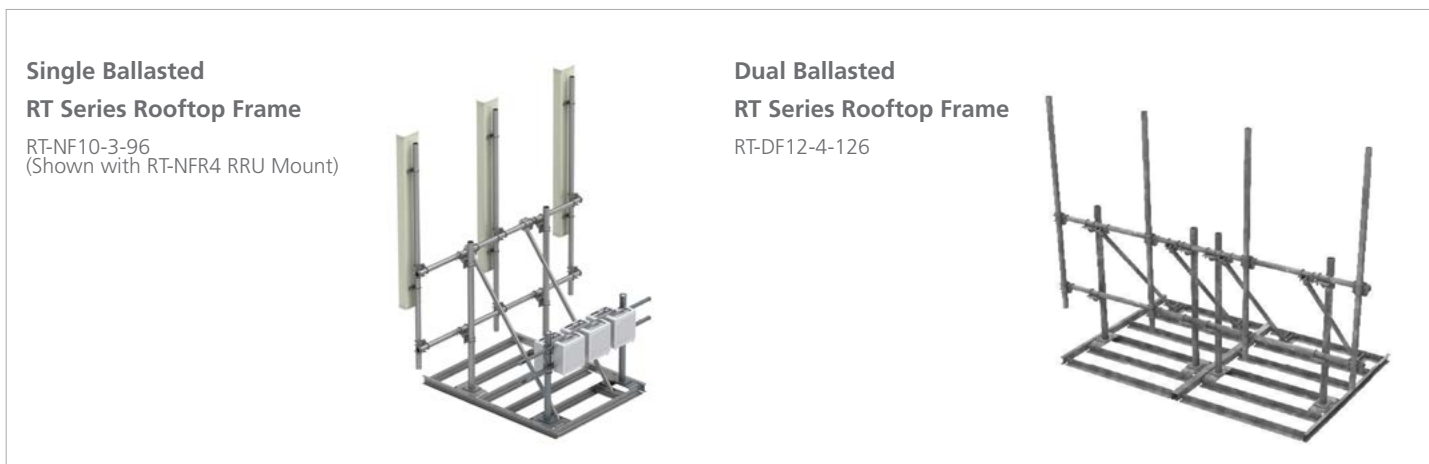
Description	Face width	Pipes included	Part number
<b>Single Penetrating Rooftop Frame—Meets TIA 5053 standard</b>			
Single Penetrating rooftop sector frame	7' Face Width	(2) 2-7/8" OD X 96" Antenna pipes	<a href="#">RT-SF7-2-96</a>
		(2) 2-7/8" OD X 126" Antenna pipes	<a href="#">RT-SF7-2-126</a>
		(3) 2-7/8" OD X 96" Antenna pipes	<a href="#">RT-SF7-3-96</a>
	10' 6" Face Width	(3) 2-7/8" OD X 126" Antenna pipes	<a href="#">RT-SF7-3-126</a>
		(3) 2-7/8" OD X 96" Antenna pipes	<a href="#">RT-SF10-3-96</a>
		(3) 2-7/8" OD X 126" Antenna pipes	<a href="#">RT-SF10-3-126</a>
		(4) 2-7/8" OD X 96" Antenna pipes	<a href="#">RT-SF10-4-96</a>
	12' 6" Face Width	(4) 2-7/8" OD X 126" Antenna pipes	<a href="#">RT-SF10-4-126</a>
		(3) 2-7/8" OD X 96" Antenna pipes	<a href="#">RT-SF12-3-96</a>
		(3) 2-7/8" OD X 126" Antenna pipes	<a href="#">RT-SF12-3-126</a>
		(4) 2-7/8" OD X 96" Antenna pipes	<a href="#">RT-SF12-4-96</a>
		(4) 2-7/8" OD X 126" Antenna pipes	<a href="#">RT-SF12-4-126</a>

Description	Face width	Pipes included	Part number
<b>Dual Penetrating Rooftop Frame—Meets TIA 5053 standard</b>			
Dual penetrating rooftop sector frame	12' 6" Face Width	(3) 2-7/8" OD x 96" Antenna pipes	<a href="#">RT-DSF12-3-96</a>
		(3) 2-7/8" OD x 126" Antenna pipes	<a href="#">RT-DSF12-3-126</a>
		(4) 2-7/8" OD x 96" Antenna pipes	<a href="#">RT-DSF12-4-96</a>
		(4) 2-7/8" OD x 126" Antenna pipes	<a href="#">RT-DSF12-4-126</a>
	14' 6" Face Width	(3) 2-7/8" OD x 96" Antenna pipes	<a href="#">RT-DSF14-3-96</a>
		(3) 2-7/8" OD x 126" Antenna pipes	<a href="#">RT-DSF14-3-126</a>
		(4) 2-7/8" OD x 96" Antenna pipes	<a href="#">RT-DSF14-4-96</a>
		(4) 2-7/8" OD x 126" Antenna pipes	<a href="#">RT-DSF14-4-126</a>



# High Capacity Single and Dual Ballasted Rooftop Frame

## Ordering information



Description	Face width	Pipes included	Part number
<b>Single Ballasted Rooftop Frame—Meets TIA 5053 standard</b>			
Single ballasted rooftop sector frame	7' Face Width	(2) 2-7/8" OD x 96" Antenna pipes	<a href="#">RT-NF7-2-96</a>
		(2) 2-7/8" OD x 126" Antenna pipes	<a href="#">RT-NF7-2-126</a>
		(3) 2-7/8" OD x 96" Antenna pipes	<a href="#">RT-NF7-3-96</a>
	10' 6" Face Width	(3) 2-7/8" OD x 126" Antenna pipes	<a href="#">RT-NF7-3-126</a>
		(3) 2-7/8" OD x 96" Antenna pipes	<a href="#">RT-NF10-3-96</a>
		(3) 2-7/8" OD x 126" Antenna pipes	<a href="#">RT-NF10-3-126</a>
		(4) 2-7/8" OD x 96" Antenna pipes	<a href="#">RT-NF10-4-96</a>
	12' 6" Face Width	(4) 2-7/8" OD x 126" Antenna pipes	<a href="#">RT-NF10-4-126</a>
		(3) 2-7/8" OD x 96" Antenna pipes	<a href="#">RT-NF12-3-96</a>
(3) 2-7/8" OD x 126" Antenna pipes		<a href="#">RT-NF12-3-126</a>	
		(4) 2-7/8" OD x 96" Antenna pipes	<a href="#">RT-NF12-4-96</a>
		(4) 2-7/8" OD x 126" Antenna pipes	<a href="#">RT-NF12-4-126</a>
RRU Mounting Kit for RT Series Ballasted Frames	N/A	N/A	<a href="#">RT-NFR4</a>

Description	Face width	Pipes included	Part number
<b>Dual Ballasted Rooftop Frame—Meets TIA 5053 standard</b>			
Dual Ballasted rooftop sector frame	12' 6" Face Width	(3) 2-7/8" OD x 96" Antenna pipes	<a href="#">RT-DF12-3-96</a>
		(3) 2-7/8" OD x 126" Antenna pipes	<a href="#">RT-DF12-3-126</a>
		(4) 2-7/8" OD x 96" Antenna pipes	<a href="#">RT-DF12-4-96</a>
		(4) 2-7/8" OD x 126" Antenna pipes	<a href="#">RT-DF12-4-126</a>
	14' 6" Face Width	(3) 2-7/8" OD x 96" Antenna pipes	<a href="#">RT-DF14-3-96</a>
		(3) 2-7/8" OD x 126" Antenna pipes	<a href="#">RT-DF14-3-126</a>
		(4) 2-7/8" OD x 96" Antenna pipes	<a href="#">RT-DF14-4-96</a>
		(4) 2-7/8" OD x 126" Antenna pipes	<a href="#">RT-DF14-4-126</a>
RRU Mounting Kit for RT Series Ballasted Frames 1 per frame - Qty 2 required for RT-DF	N/A	N/A	<a href="#">RT-NFR4</a>

# PIM-Guard Single and Dual Ballasted Rooftop Frames

## Ordering information

### PIM-Guard Single Ballasted Rooftop Frames

RT-NF11-3-120



### PIM-Guard Dual Ballasted Rooftop Frames

RT-DF15-4-120



Description	Face width	Pipes included	Part number
<b>PIM-Guard Single Ballasted Rooftop Frames</b>			
PIM-Guard High Capacity Non-Penetrating Roof Frame with Optimized Antenna Spacing	11' Face Width	None	<a href="#">RT-NF11-B</a>
		(3) 2-7/8" OD x 120" Antenna Pipes	<a href="#">RT-NF11-3-120</a>
	13' Face Width	None	<a href="#">RT-NF13-B</a>
		(4) 2-7/8" OD x 120" Antenna Pipes	<a href="#">RT-NF13-4-120</a>
<b>PIM-Guard Dual Ballasted Rooftop Frames</b>			
PIM-Guard High Capacity Dual Non-Penetrating Roof Frame with Optimized Antenna Spacing	15' Face Width	None	<a href="#">RT-DF15-B</a>
		(4) 2-7/8" OD x 120" Antenna Pipes	<a href="#">RT-DF15-4-120</a>
		(5) 2-7/8" OD x 120" Antenna Pipes	<a href="#">RT-DF15-5-120</a>

# Rooftop Frames - Non-penetrating

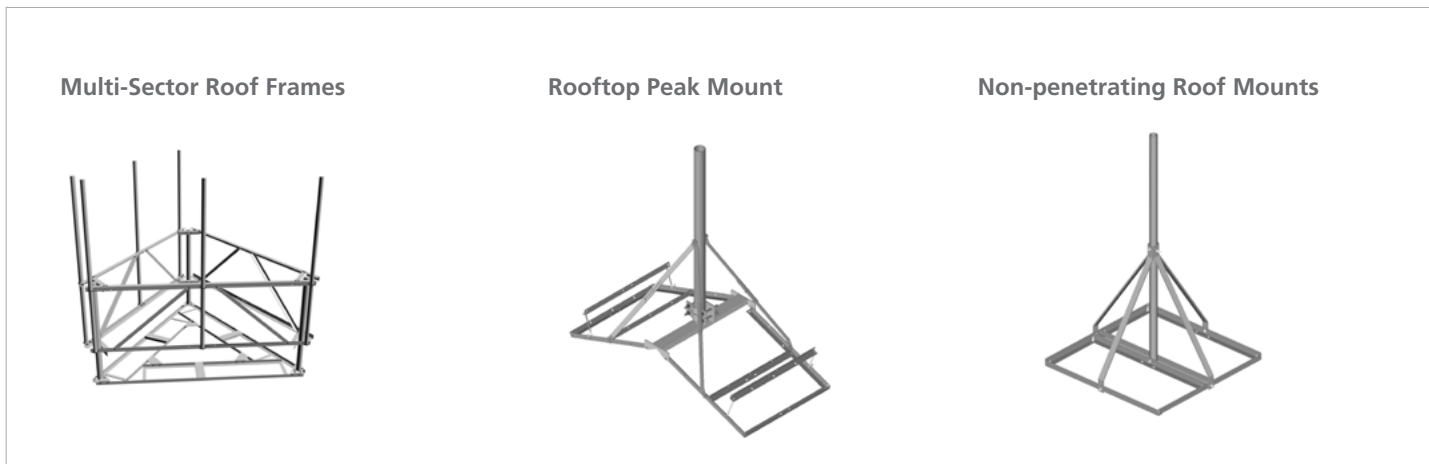
## Ordering information



Description	Part number
<b>Non-penetrating Roof Frame, 7' Wide (Angle-based design)</b>	
Base Frame Kit Only - 3-1/2" OD Pipes Ordered Separately	<a href="#">RF-NL7-B</a>
Two 3-1/2" OD x 72" Pipes	<a href="#">RF-NL7-2-72</a>
Three 3-1/2" OD x 72" Pipes	<a href="#">RF-NL7-3-72</a>
Two 3-1/2" OD x 96" Pipes	<a href="#">RF-NL7-2-96</a>
Three 3-1/2" OD x 96" Pipes	<a href="#">RF-NL7-3-96</a>
<b>Non-penetrating Roof Frame, 10' -6" (3.2 m) Wide (Angle-based design)</b>	
Base Frame Kit Only - 3-1/2" OD Pipes Ordered Separately	<a href="#">RF-NL10-B</a>
Two 3-1/2" OD x 72" Pipes	<a href="#">RF-NL10-2-72</a>
Three 3-1/2" OD x 72" Pipes	<a href="#">RF-NL10-3-72</a>
Two 3-1/2" OD x 96" Pipes	<a href="#">RF-NL10-2-96</a>
Three 3-1/2" OD x 96" Pipes	<a href="#">RF-NL10-3-96</a>
<b>Roof-top Frame RRU Retrofit Kit</b>	
RRU Retrofit Kit	<a href="#">RF-NRK</a>
<b>Roof-top Microwave Dish Ballast Mount System</b>	
Three 4.5" OD X 8' Supports with 3.5" OD Strut Support Member	<a href="#">RF-MW8-B</a>

# Rooftop Frames - Non-penetrating

## Ordering information



Description	Face Width	Pipes Included	Part number
<b>Multi-Sector Roof Frames (Ballast tray not included)</b>			
Multi-Sector Roof Frame	10' 6" Face Width	None	<a href="#">MT-180</a>
Heavy Duty Multi-Sector Roof Frame		(9) 2-7/8" OD x 96" Antenna Pipes	<a href="#">MT-180-HD</a>

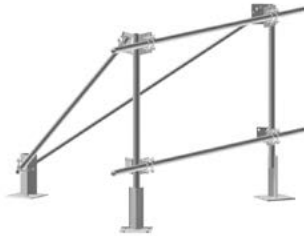
Description	Part number
<b>Ballast Trays &amp; Accessories for Multi-Sector Roof Frames</b>	
Ballast Tray for Multi-Sector Roof Frame (MT-180)	<a href="#">MT-181</a>
Ballast Tray for Heavy Duty Multi-Sector Roof Frame (MT-180-HD)	<a href="#">MT-181-HD</a>
Non-penetrating Sled Tie Down Kit	<a href="#">RF-TDK</a>
Rubber Mat 1/2" x 18" x 48"	<a href="#">MT-F1637</a>

Description	Pipes Included	Part number
<b>Non-penetrating Roof Mounts</b>		
Non-penetrating Roof Tripod Mounts	(1) 1.9" OD x 60" Pipe	<a href="#">RM-SM190-60</a>
	(1) 2-3/8" OD x 96" Pipe	<a href="#">RM-SM238-60</a>
Non-penetrating Peak Mount	Order separately (2-3/8" to 4-1/2" OD)	<a href="#">RT-PM-B</a>

# Rooftop Frames - Penetrating

Ordering information

Penetrating Rooftop Mount



Multi-Sector Penetrating Rooftop Mount



Description	Pipes Included	Part number
<b>Penetrating Rooftop Mount</b>		
Rooftop Mount - Single Sector	None	TP-100
<b>Multi-Sector Penetrating Rooftop Mount</b>		
Rooftop Mount - Three Sector	None	TP-300

# Chimney Mounts

## Ordering information

Chimney Mounts



Custom Smokestack Bracket

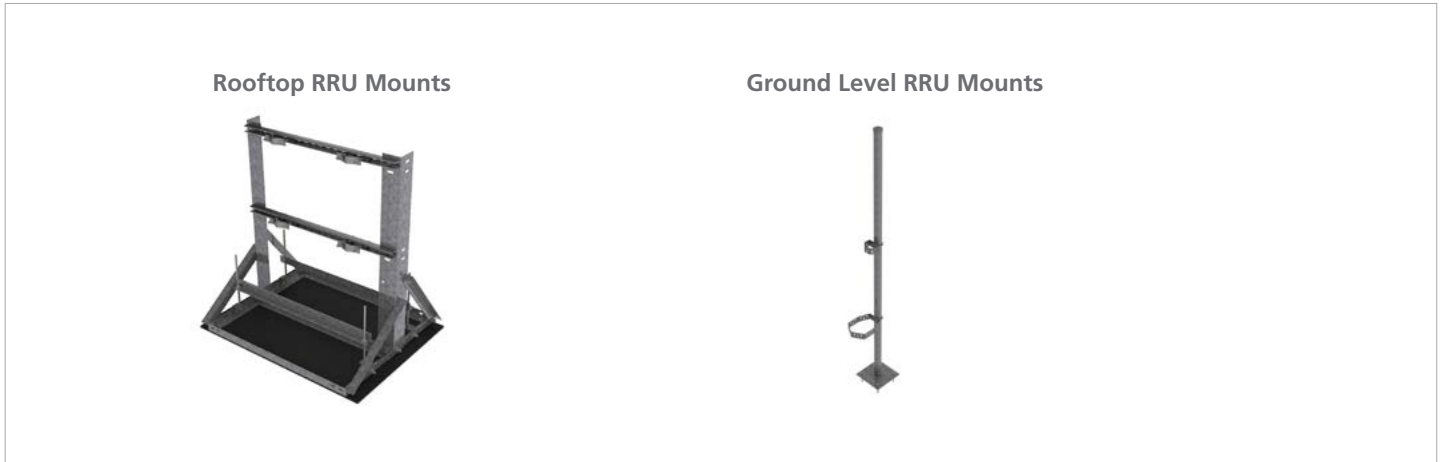


Description	Chimney Size	Part number
<b>Chimney Mounts</b>		
Round Chimney Mounts	5' to 6' OD	<a href="#">CM-R56</a>
	6' to 7' OD	CM-R67
	7' to 8' OD	<a href="#">CM-R78</a>
	8' to 9' OD	CM-R89
	9' to 11' OD	CM-R911
	11' to 13' OD	CM-R1113
Square Chimney Mounts	1' to 10' Face	CM-S110
Description	Antenna Pipe Size	Part number
<b>Slider Brackets for Chimney Mounts (pipe not included)</b>		
Slider brackets for Chimney Mounts	2-3/8" OD	CM-SB2
	2-7/8" OD	CM-SB3
	3-1/2" OD	CM-SB35
	4-1/2" OD	CM-SB45

Description	Part number
<b>Chimney Mount Sector Frame Mounting Bracket</b>	
Enables mounting of Sector Frames to Chimney Requires 2 Brackets & 2 Chimney Mounts per Sector Frame	<a href="#">760258156-001</a>

# Radio Mounts

## Ordering information



Description	Part number
<b>Rooftop RRU Mounts</b>	
Non-penetrating RRU Mount (2-pole mounting locations)	<a href="#">RR-TFS</a>
Non-penetrating RRU Mount (3-pole mounting locations)	<a href="#">RR-TFS3</a>
<b>Ground Level RRU Mounts</b>	
Base Shoe Pipe with 14-1/2" x 14-1/2" Base plate	<a href="#">RR-BSP-10</a>
Cluster Support Bracket - 5 lines	<a href="#">CS-BR</a>
Cluster Support Bracket - 18 lines	<a href="#">CS-BRL</a>
Ice Shield - 24" x 24"	<a href="#">RR-IS24</a>

# Tripod Mounts

## Ordering information

### Rooftop Monopole Tripods



### Hardware Kits for Tripods



### Multi-Sector Mount for Tripods



Description	Mast Size	Part number
<b>Rooftop Monopole Tripods</b>		
Rooftop Tripod Assembly	3 meter (9'-9")	<a href="#">RT-MPT-3</a>
	4 meter (13'-1")	<a href="#">RT-MPT-4</a>
	5 meter (16'-5")	<a href="#">RT-MPT-5</a>
	6 meter (19'-8")	<a href="#">RT-MPT-6</a>
	7 meter (22'-11")	<a href="#">RT-MPT-7</a>

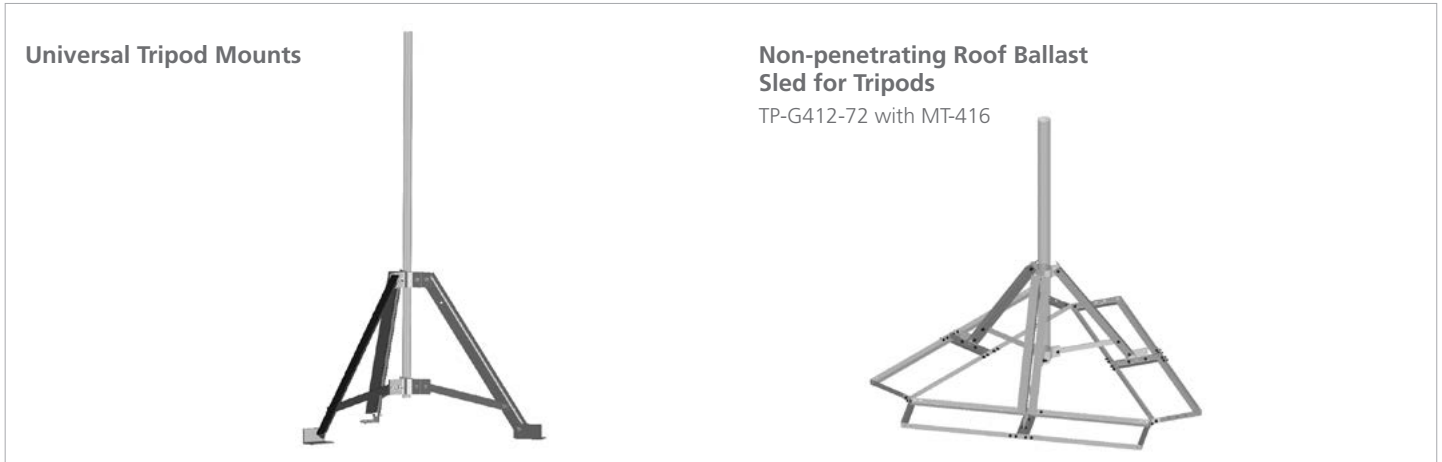
Description	Part number
<b>Hardware Kits for Tripods</b>	
Anchor Set for Rooftop Tripod Mount	<a href="#">MT-421</a>
Thru-Bolt Set for Rooftop Tripod Mount	<a href="#">MT-422</a>

Description	Pole Size	Part number
<b>Multi-Sector Mount for Tripods</b>		
Three Sector Clamp on Mount	For Poles 3-1/2' to 6" OD	<a href="#">SCSMRU-302-M</a>



# Universal Tripod Mounts

## Ordering information



Description	Pipes Included	Part number
Universal Tripod Mount, 2-7/8" OD	Base Only for 2-7/8" or 3-1/2" OD, Pipe Ordered Separately	TP-G300-B
	2-7/8" OD x 96"	TP-G300-96
	2-7/8" OD x 126"	TP-G300-126
Universal Tripod Mount, 3-1/2" OD	3-1/2" OD x 96"	TP-G312-96
	3-1/2" OD x 126"	TP-G312-126
Universal Tripod Mount, 4-1/2" OD	Base Only for 4-1/2" OD, Pipe Ordered Separately	TP-G412-B
	4-1/2" OD x 96"	TP-G412-96
	4-1/2" OD x 126"	TP-G412-126
	4-1/2" OD x 150"	TP-G412-150
<b>Non-penetrating Roof Ballast Sled for Tripods</b>		
Non-penetrating Roof Sled, Tripod Mount Ordered Separately	N/A	MT-416
Rubber Mat, 1/2" x 18" x 48", Six Mats Required for Ballast Tray	N/A	MT-F1637

# Parapet & Cube Mounts

## Ordering information

**Parapet Mount**



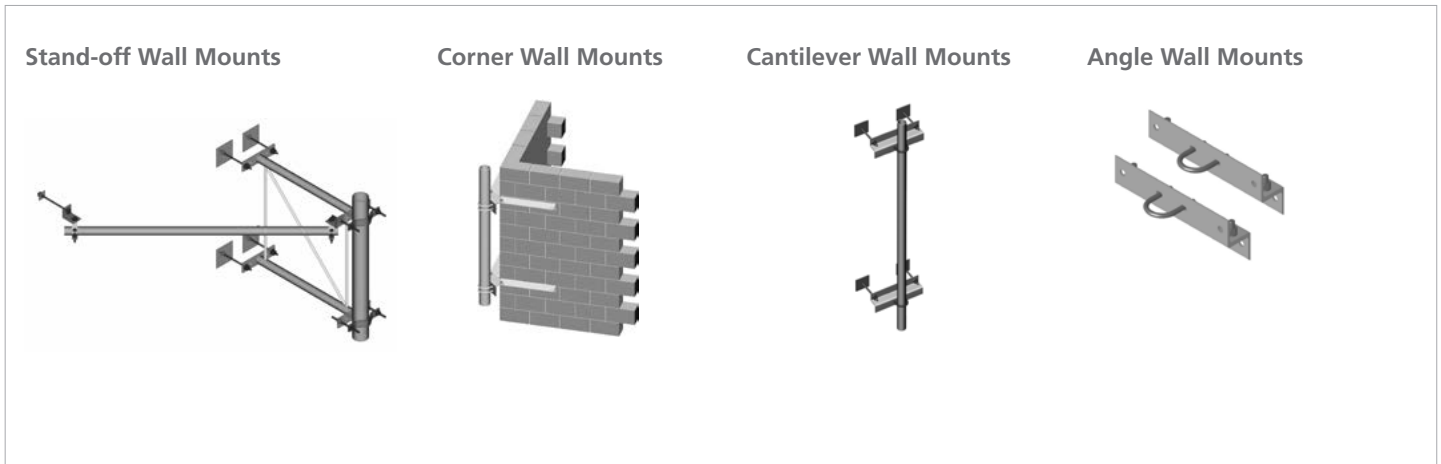
**Cube Mount**



Description	Pipes Included	Part number
<b>Parapet Mount</b>		
Non-penetrating Rooftop Parapet Mount	(1) 2-3/8" OD x 86" Antenna Pipe	<a href="#">RF-PM86</a>
<b>Cube Mount</b>		
Rooftop Cube Mount Ballast for Microwave Antennas	Order separately (2-3/8" to 3-1/2" OD)	<a href="#">RT-CUBE-MBASE</a>

# Wall Mounting Components

## Ordering information



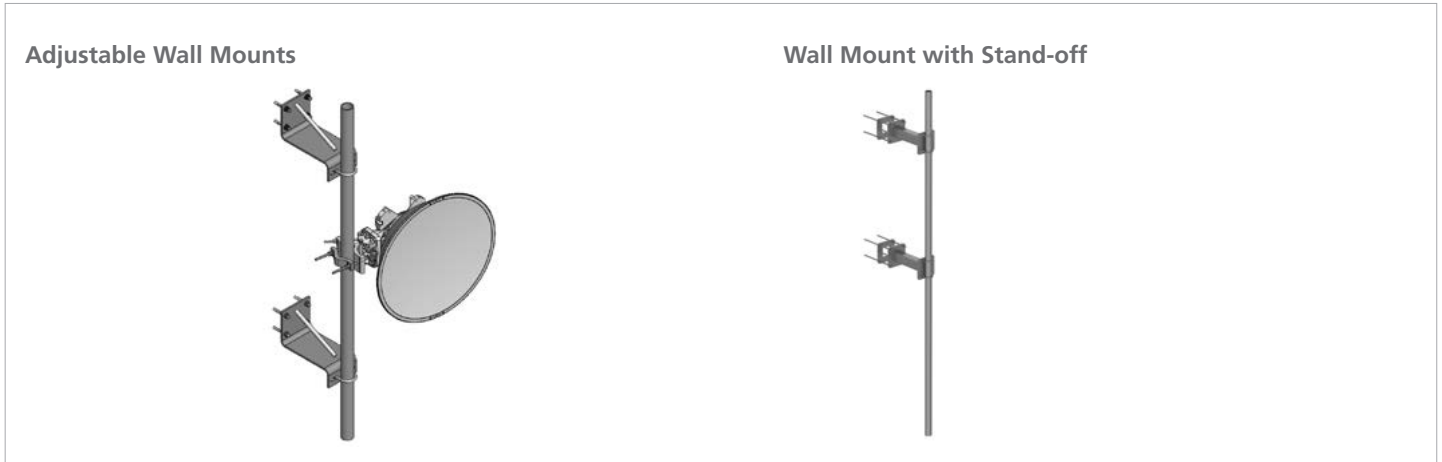
Description	Pipes Included	Part number
<b>Stand-off Wall Mount</b>		
Stand-off Wall Mount, 36", for Solid and Hollow Walls, Includes 72" Stiff Arm	Pipe ordered Separately	DM-300
<b>Corner Wall Mount</b>		
For 2-3/8" OD Pipe	(1) 2-3/8" OD x 96" Pipe	<a href="#">CW-M2-96</a>
For 2-7/8" Pipe	(1) 2-7/8" OD x 120" Pipe	<a href="#">CW-M3-120</a>
For 4-1/2" OD Pipe	(1) 4-1/2" OD x 96" Pipe	<a href="#">CW-M4-96</a>

Description	Stand-off Distance	Pipes Included	Part Number
<b>Cantilever Wall Mounts</b>			
Cantilever Wall Mount for 2-3/8" pipe	2-3/4" Stand-off	Order separately - 2-3/8" pipe	<a href="#">MT-250</a>
	5-1/2" Stand-off		<a href="#">MT-250L</a>

Description	Pipes Included	Part Number
<b>Angle Wall Mounts</b>		
Angle Wall Mounts for Solid or Hollow Walls	Order separately - 2-3/8" pipe	<a href="#">WMA238</a>
	Order separately - 2-7/8" pipe	<a href="#">WMA300</a>
	Order separately - 3-1/2" pipe	<a href="#">WMA312</a>
	Order separately - 4-1/2" pipe	<a href="#">WMA412</a>
Hollow Wall Mount Kit	N/A	HWK58
Solid Wall Mount Kit		SWK58

# Wall Mounting Components

## Ordering information



Description	Part number
<b>Adjustable Wall Mounts, 6" Stand-off</b>	
For Hollow Walls, Includes Backing Plates, Kit of 2	<a href="#">MT-221</a>
For Solid Walls, Includes Wall Anchors, Kit of 2	<a href="#">MT-222</a>
<b>Adjustable Wall Mounts, 12" Stand-off</b>	
For Hollow Walls, Includes Backing Plates, Kit of 2	<a href="#">MT-221L</a>
For Solid Walls, Includes Wall Anchors, Kit of 2	<a href="#">MT-222L</a>
<b>Optional Backing Plate</b>	
Backing Plate Kit, 12" x 12"	<a href="#">MT-223</a>

Note: Pipes and U-Bolts sold separately

Description	Pipes Included	Part number
<b>Wall Mount with 18.6" Stand-off</b>		
For Solid Walls, Includes Wall Anchors	(1) 2-7/8" OD x 150" Pipe	<a href="#">WM-ST1812</a>

# Galvanized Cable Support Components

## Ordering information

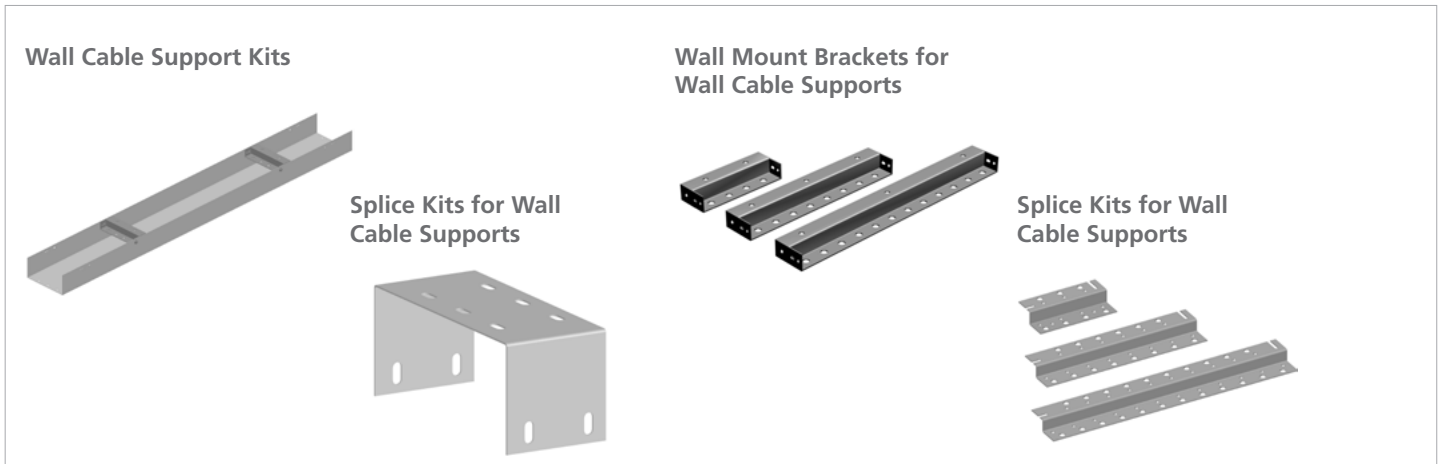


Description	Number of Holes	Part number
<b>Cable Bridge Kits</b>		
Self-splicing Rooftop Cable Bridge Kits - 12 gauge covers	4 Holes	MT-F1542-11
	8 Holes	MT-F1543
	12 Holes (incl 4 & 8 run covers)	MT-F1595
Self-splicing Rooftop Cable Bridge Kits for SnapStak® Snap-in Hangers	4 Holes	RT-CB4D
	8 Holes	RT-CB8D
	12 Holes	RT-CB12D
Description	Number of Cable Runs	Part number
<b>Cable Bridge Kit Accessories</b>		
Adjustable Splice for Roof-top Coaxial Cable Bridge Kits	4 Runs	MT-F1573-11
	8 Runs	MT-F1574
	12 Runs	MT-F1597
Extension Kit for Roof-top Coaxial Cable Bridge Kits	Extension kit for 4 Runs	MT-F1703
	Extension kit for 8 Runs	MT-F1704
Rooftop Cable tray Step Over	N/A	RT-ST
PVC Roof Sleeper	No Holes - 8' long	MT-F1585
Rubber Sleeper Pad	1/4" x 4" x 10' Roll	CT-P4
	1/4" x 4" x 50' Roll	CT-P50

Description	Part number
<b>Rooftop Hood Entry</b>	
Rooftop Hood Entry Kit - Cable Entry Ports not included	MT-365G

# Wall Cable Support Components

## Ordering information



Description	Number of Cable Runs	Part number
<b>Wall Cable Support Kits</b>		
Wall Cable Support Kits	4 Runs	<a href="#">MT-F1589</a>
	8 Runs	<a href="#">MT-F1590</a>
	12 Runs, self-splicing	<a href="#">MT-F1591</a>
Splice Kits for Wall Cable Supports	4 Runs	<a href="#">MT-F1607</a>
	8 Runs	<a href="#">MT-F1608</a>
Wall Mount Brackets for Wall Cable Supports	4 Runs	<a href="#">MT-F1586</a>
	8 Runs	<a href="#">MT-F1587</a>
	12 Runs	<a href="#">MT-F1588</a>
Horizontal Z-Brackets	11" wide for 7 Runs	<a href="#">ZB-H4</a>
	23" wide for 14 Runs	<a href="#">ZB-H8</a>
	35" wide for 22 Runs	<a href="#">ZB-H12</a>
Z-Bracket Wall Support Covers for SnapStak® Snap-in Hangers (Z-Brackets ordered separately - qty 3 required)	4-Hole Cover	<a href="#">WC-SC12D</a>
	8-Hole Cover	<a href="#">WC-SC4D</a>
	12-Hole Cover	<a href="#">WC-SC8D</a>



# Water Tower Applications

Wall Cable Support Components  
Stackable Water Tower Pod Mounts  
Water Tower Sector Frames  
Water Tower Mounts

# Stackable Water Tower Pod Mounts

## Ordering information



Description	Face Width	Pipes Included	Part number
<b>Water Tower Pod Mounts</b>			
Base Kit Only - Platform & Pipes ordered separately	N/A	None	<a href="#">WT-SPM-B</a>
Base Kit with Platform - Pipes ordered separately	12'-6" Wide Face	None	<a href="#">WT-SPM12-B</a>
Pod Base, 3-Sector Platform, & Antenna Pipes		(9) 2-3/8" OD x 96" Antenna Pipes	<a href="#">WT-SPM12-9-96</a>
		(9) 2-3/8" OD x 126" Antenna Pipes	<a href="#">WT-SPM12-9-126</a>
		(12) 2-3/8" OD x 96" Antenna Pipes	<a href="#">WT-SPM12-12-96</a>
		(12) 2-3/8" OD x 126" Antenna Pipes	<a href="#">WT-SPM12-12-126</a>
Base Kit with Platform - Pipes ordered separately	14'-6" Wide Face	None	<a href="#">WT-SPM14-B</a>
Pod Base, 3-Sector Platform, & Antenna Pipes		(9) 2-3/8" OD x 96" Antenna Pipes	<a href="#">WT-SPM14-9-96</a>
		(9) 2-3/8" OD x 126" Antenna Pipes	<a href="#">WT-SPM14-9-126</a>
		(12) 2-3/8" OD x 96" Antenna Pipes	<a href="#">WT-SPM14-12-96</a>
		(12) 2-3/8" OD x 126" Antenna Pipes	<a href="#">WT-SPM14-12-126</a>



# Stackable Water Tower Pod Mounts

## Ordering information

Mini Monopole for Pod Mounts



Extension for Pod Mounts



Description	Monopole Height	Part number
<b>Mini Monopole for Pod Mounts</b>		
	7' tall	<a href="#">WT-MMP-7</a>
Mini Monopole for Stackable Pod Mounts	10' tall	<a href="#">WT-MMP-10</a>
	16' tall	<a href="#">WT-MMP</a>
<b>Extension for Pod Mounts</b>		
Stackable Pod Mount Extension	1' tall	<a href="#">WT-SPM-E1</a>

# Water Tower Sector Frames

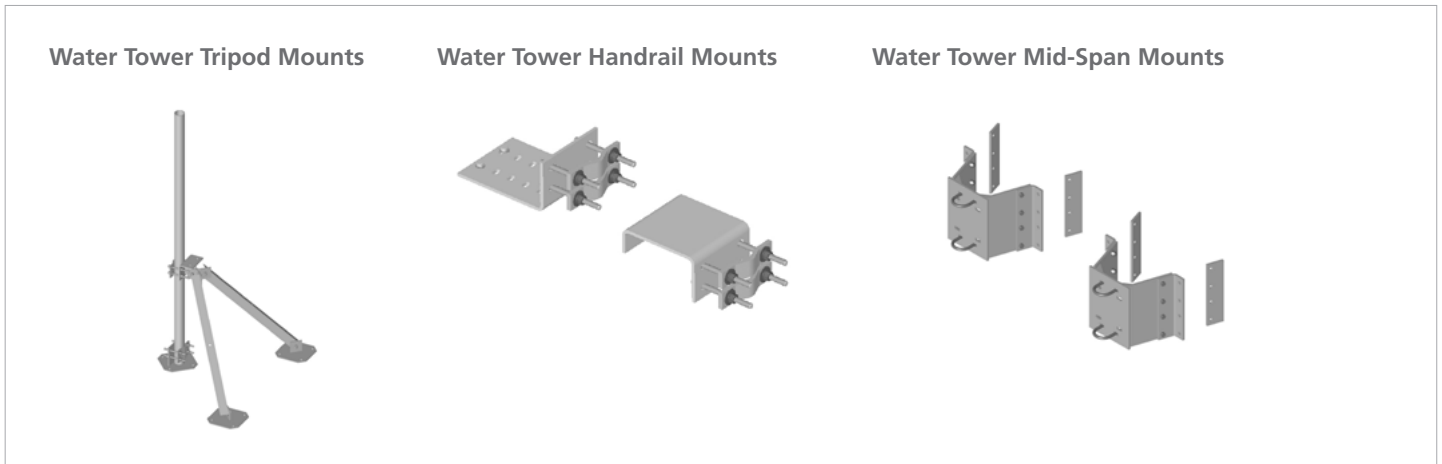
## Ordering information



Description	Size	Pipes Included	Part number
<b>Water Tower Pod Mounts</b>			
3-Sector Water Tower Rooftop Frames	12' Face Width	(9) 2-3/8" OD x 96" Antenna Pipes	<a href="#">WT-RTA12-9-96</a>
		(12) 2-3/8" OD x 96" Antenna Pipes	<a href="#">WT-RTA12-12-96</a>
	14' Face Width	(9) 2-3/8" OD x 96" Antenna Pipes	<a href="#">WT-RTA14-9-96</a>
		(12) 2-3/8" OD x 96" Antenna Pipes	<a href="#">WT-RTA14-12-96</a>
Single Sector Water Tower Rooftop Frames	12' Face Width	(3) 2-3/8" OD x 96" Antenna Pipes	<a href="#">WT-SMA12-3-96</a>
		(4) 2-3/8" OD x 96" Antenna Pipes	<a href="#">WT-SMA12-4-96</a>
	14' Face Width	(3) 2-3/8" OD x 96" Antenna Pipes	<a href="#">WT-SMA14-3-96</a>
		(4) 2-3/8" OD x 96" Antenna Pipes	<a href="#">WT-SMA14-4-96</a>
Water Tower Sector Frame Extensions	6' Long Extension	(1) 2-3/8" OD x 96" Antenna Pipes	<a href="#">WT-RTA6-96E</a>
	7' Long Extension	(1) 2-3/8" OD x 96" Antenna Pipes	<a href="#">WT-RTA7-96E</a>

# Water Tower Mounts

## Ordering information

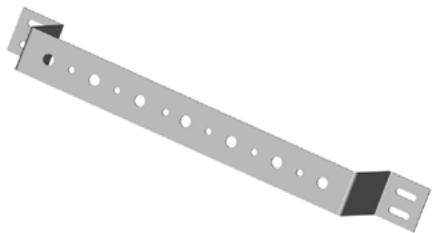


Description	Pipes Included	Part number
<b>Water Tower Tripod Mounts</b>		
Water Tower Tripod Mounts	(1) 3-1/2" OD x 96" Mount Pipe	<a href="#">WT-TMA35-96</a>
	(1) 4-1/2" OD x 96" Mount Pipe	<a href="#">WT-TMA45-96</a>
<b>Water Tower Handrail Mounts</b>		
Water Tower Handrail Mount for 2-3/8" OD Pipe	None	<a href="#">WT-HRM2-B</a>
	(1) 2-3/8" OD x 72" Mount Pipe	<a href="#">WT-HRM2-72</a>
	(1) 2-3/8" OD x 96" Mount Pipe	<a href="#">WT-HRM2-96</a>
	(1) 2-3/8" OD x 126" Mount Pipe	<a href="#">WT-HRM2-126</a>
Universal Handrail Mount for 2-3/8" to 4-1/2" pipe	None	<a href="#">WT-HRM-U</a>
<b>Water Tower Mid-Span Mounts</b>		
Mis-Span Mount for 2-3/8" Pipe	None	<a href="#">WT-MSM2-B</a>
Mis-Span Mount for 2-7/8" Pipe	None	<a href="#">WT-MSM3-B</a>
Mis-Span Mount for 3-1/2" Pipe	None	<a href="#">WT-MSM35-B</a>
Mis-Span Mount for 4-1/2" Pipe	None	<a href="#">WT-MSM4-B</a>

# Water Tower Cable Support Components

## Ordering information

### Water Tower Cable Support Stand-off Brackets



Description	Number of Cable Runs	Part number
Water Tower Cable Support Stand-off Brackets	2 Runs	<a href="#">VC-WGSO-2</a>
Water Tower Cable Support Stand-off Brackets	4 Runs	<a href="#">VC-WGSO-4</a>
	7 Runs	<a href="#">VC-WGSO-7</a>
	12 Runs	<a href="#">VC-WGSO-12</a>

CommScope pushes the boundaries of communications technology with game-changing ideas and ground-breaking discoveries that spark profound human achievement.

We collaborate with our customers and partners to design, create and build the world's most advanced networks. It is our passion and commitment to identify the next opportunity and realize a better tomorrow. Discover more at [commscope.com](https://commscope.com)

**COMMSCOPE®**

---

[commscope.com](https://commscope.com)

Visit our website or contact your local CommScope representative for more information.

© 2024 CommScope, LLC. All rights reserved.

All trademarks identified by ™ or © are trademarks or registered trademarks in the US and may be registered in other countries. All product names, trademarks and registered trademarks are property of their respective owners. This document is for planning purposes only and is not intended to modify or supplement any specifications or warranties relating to CommScope products or services.

CO-118893-EN (06/24)