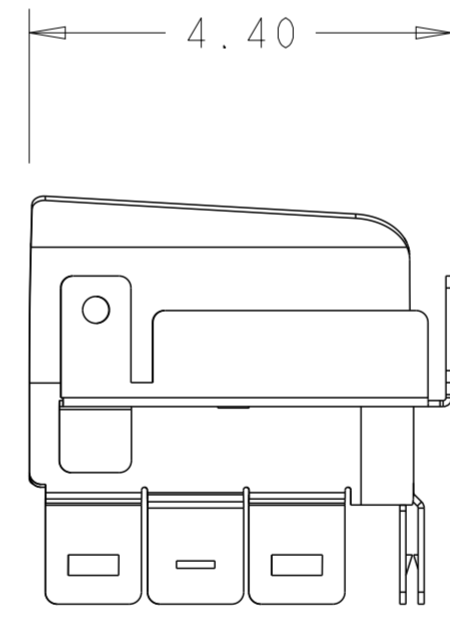
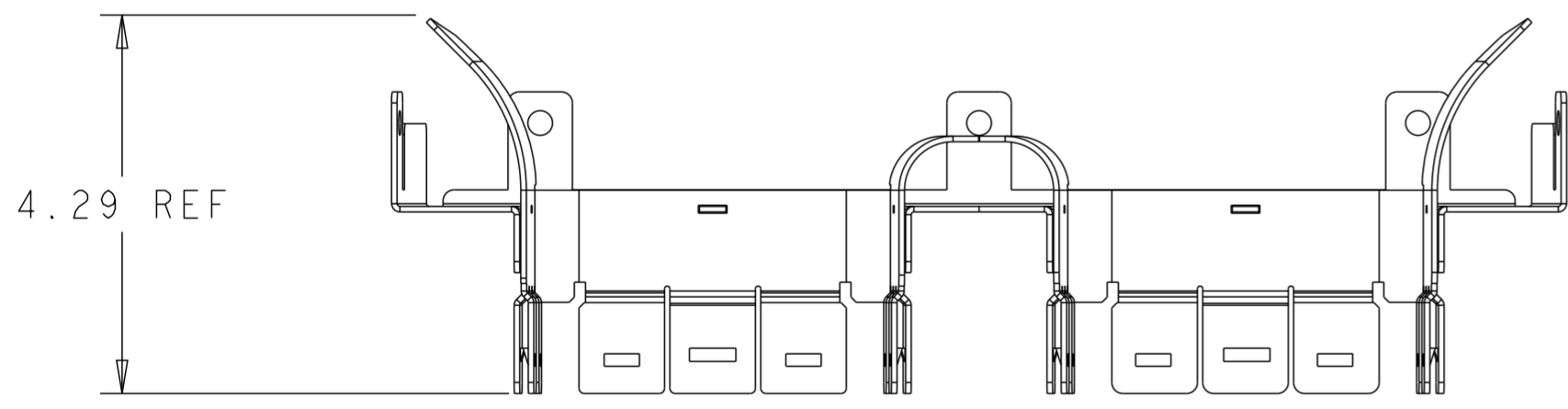
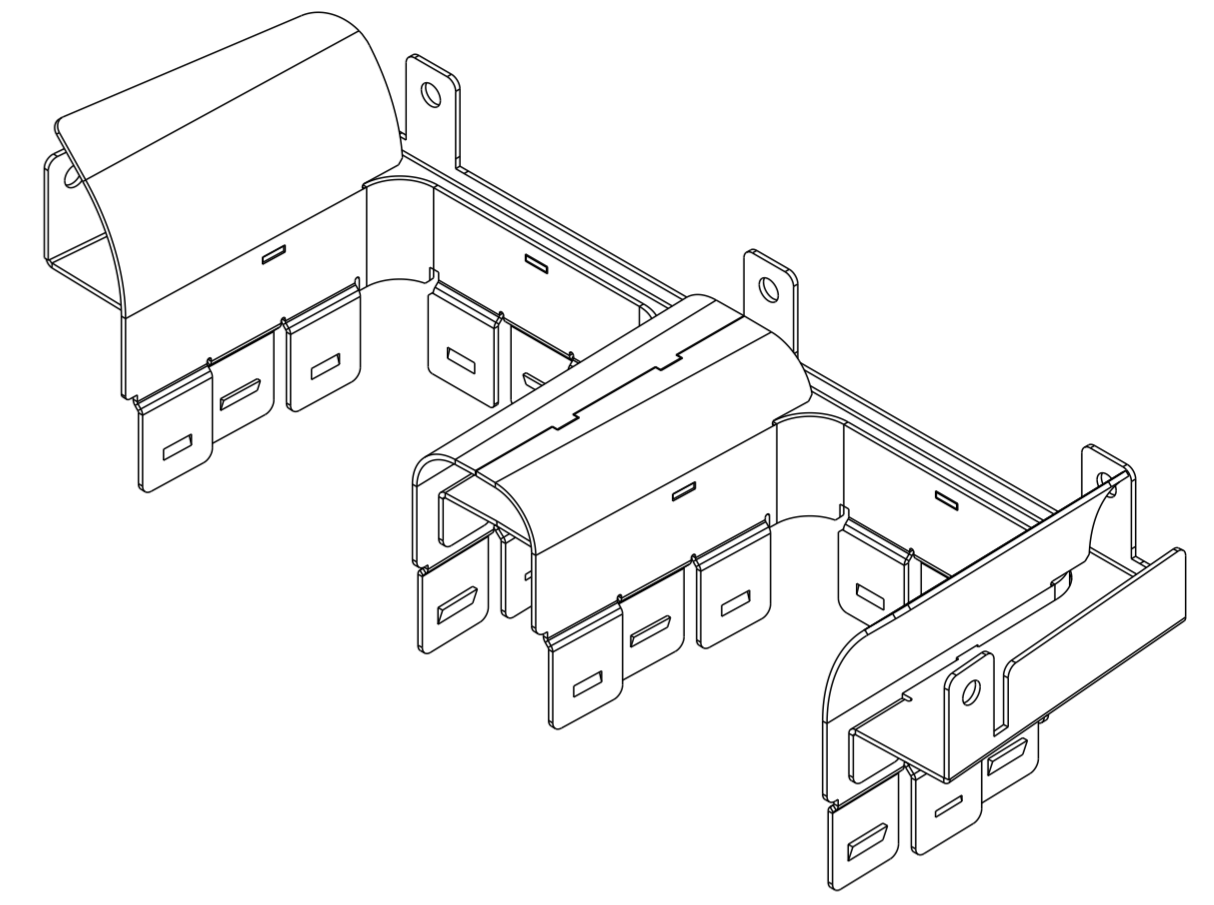
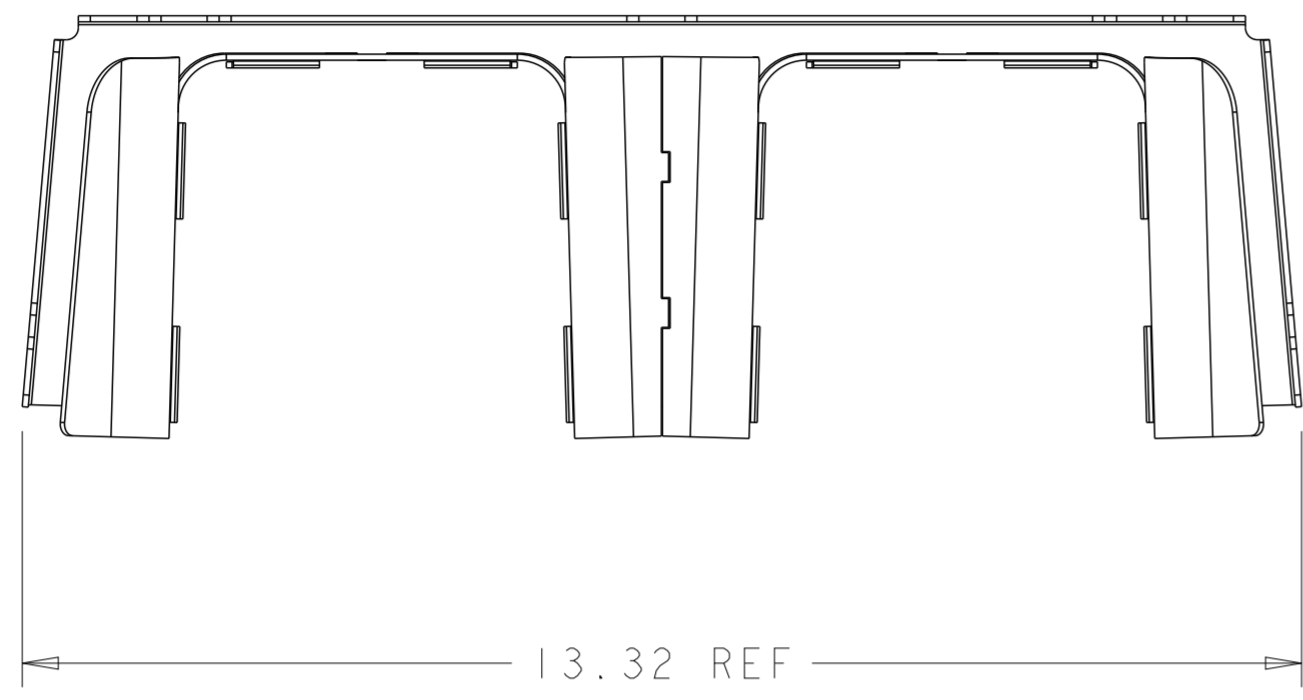


REVISIONS			
REV	CMO	DATE	APPROVED
A	40167254CMO	03-JUL-2023	LLBV

# EXPRESS EXIT 12" INSERT REDUCER 12" TO 2 OF 4X4"



**CATALOG NUMBER: FGS-HDSI-F/A2**

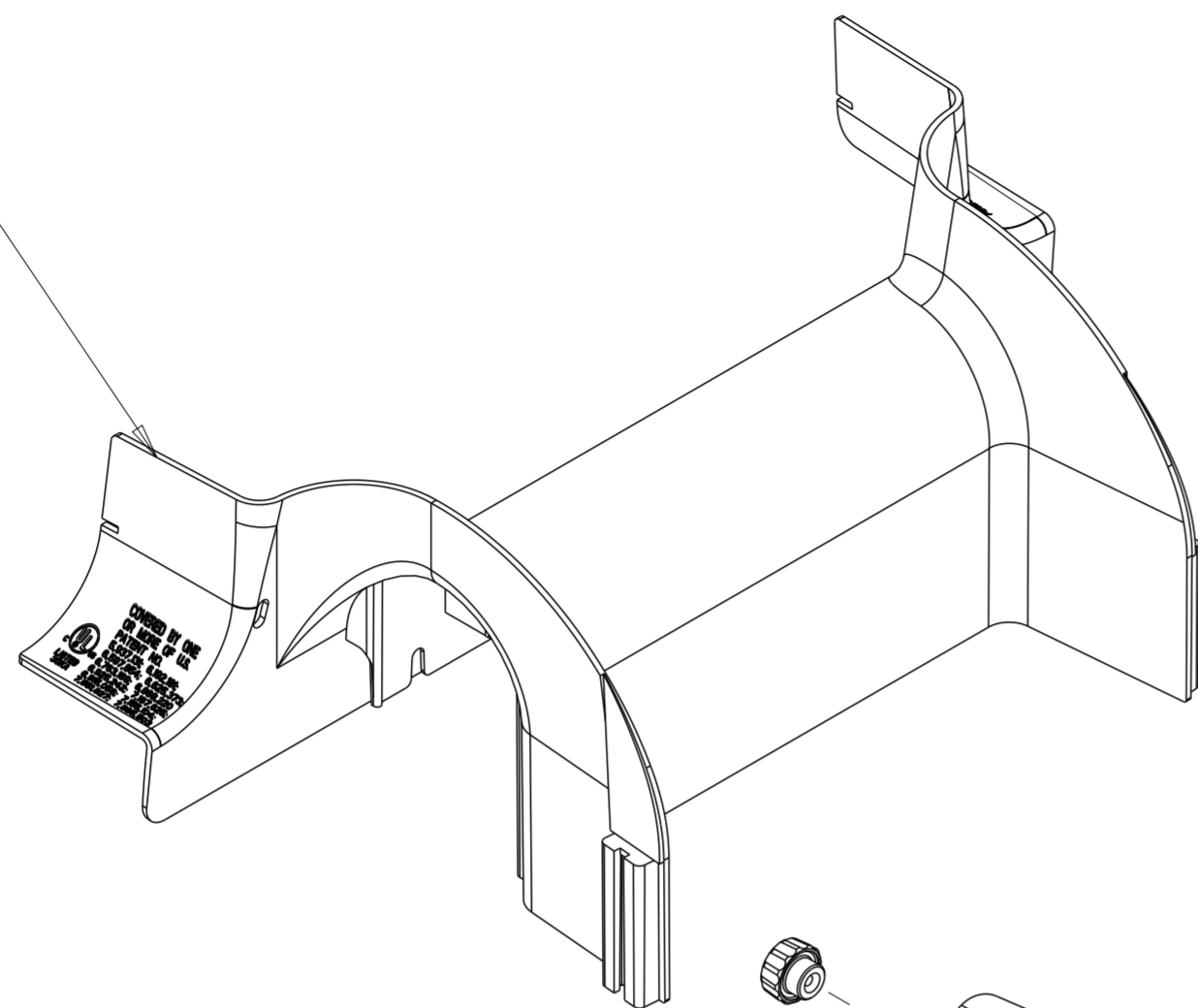
**COMMSCOPE, INC.**

DRAFTER LUIS BALANDRAN	TITLE EXPRS EXT 12" INSRD RDCR 12"TO2 OF 4x4V		
---------------------------	--	--	--

ENGINEER RUBEN ARVILLA	SIZE A2	SCALE 1/16	DOCUMENT NO. <b>660106084</b>
---------------------------	------------	---------------	----------------------------------

	CUSTOMER DRAWING	REVISION A	SHEET 1 OF 2

FGS-MEXP-F-F/H-NC  
SHOWN FOR REF ONLY.



(5)

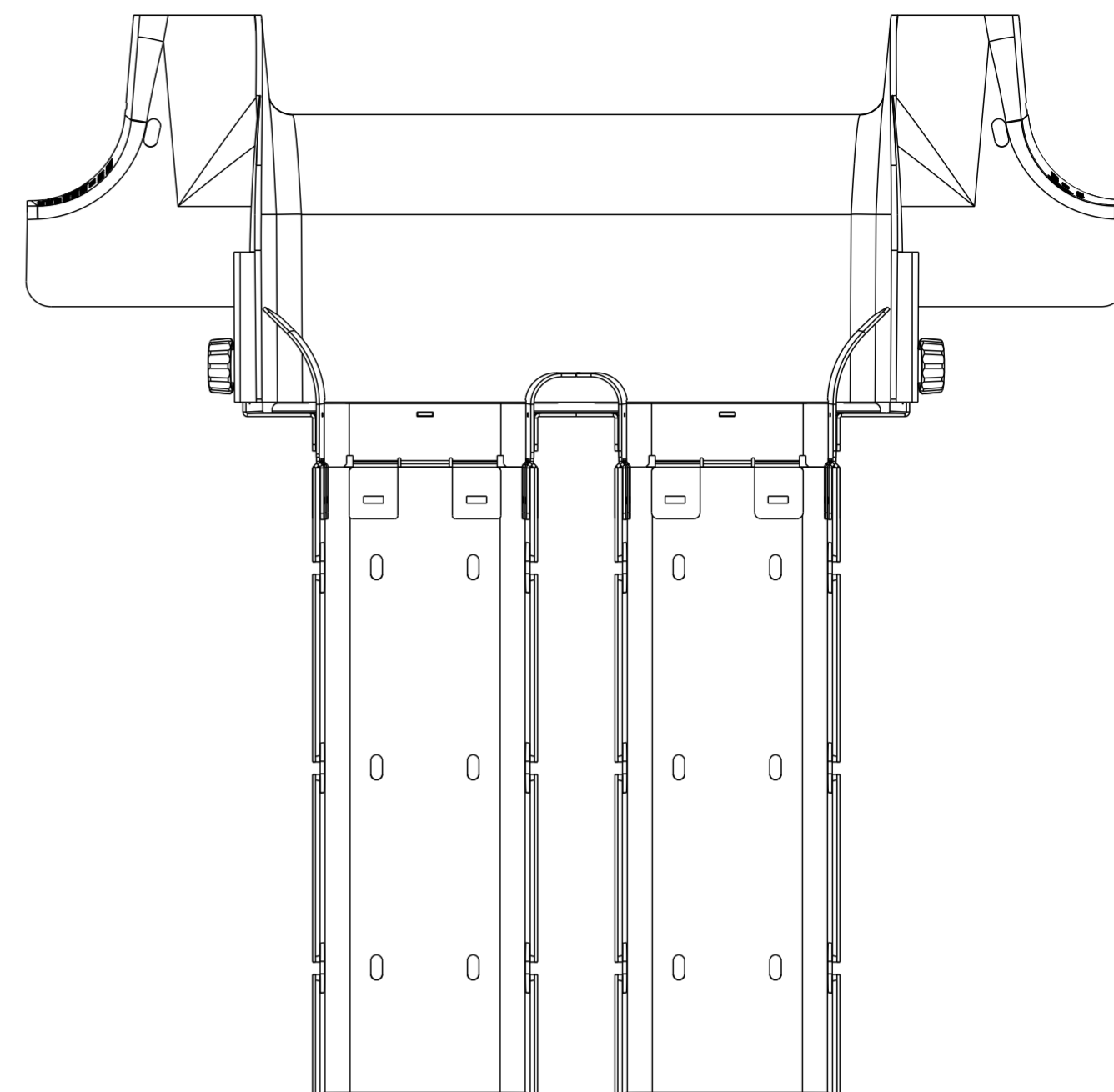
003

(5)

002

001

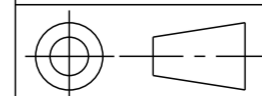
VERT FGS 4X4  
BLANK OR SLOTTED  
SHOWN FOR REF ONLY.



FRONT VIEW REF  
SCALE 5/16

COMPONENT LIST		
F/N	DESCRIPTION	QTY
001	REDUCER, 12" TO 2 OF 4X4"	1
002	QUICK KNOB	5
003	HEX HD SCREW 1/4-20 3/4 L	5

COMMSCOPE, INC.			
DRAFTER LUIS BALANDRAN	TITLE EXPRS EXT 12" INSRT RDCR 12"TO2 OF 4x4V		
ENGINEER RUBEN ARVILLA	SIZE A2	SCALE 5/16	DOCUMENT NO. 660106084
CUSTOMER DRAWING			REVISION A
			SHEET 2 OF 2



A  
B  
C  
D  
E  
F  
G  
H

A  
B  
C  
D  
E  
F  
G  
H

1 2 3 4 5 6 7 8 9 10

1 2 3 4 5 6 7 8 9 10