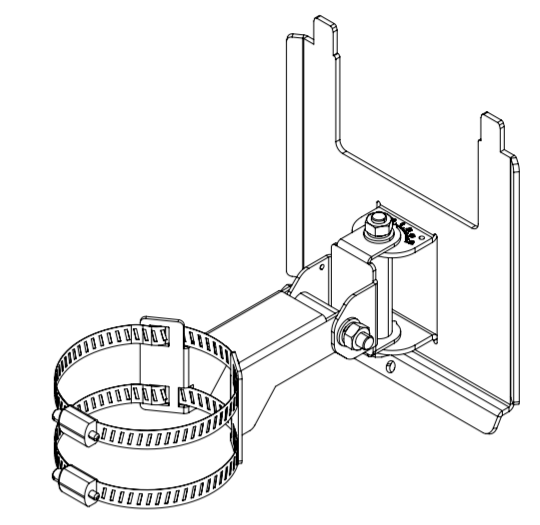
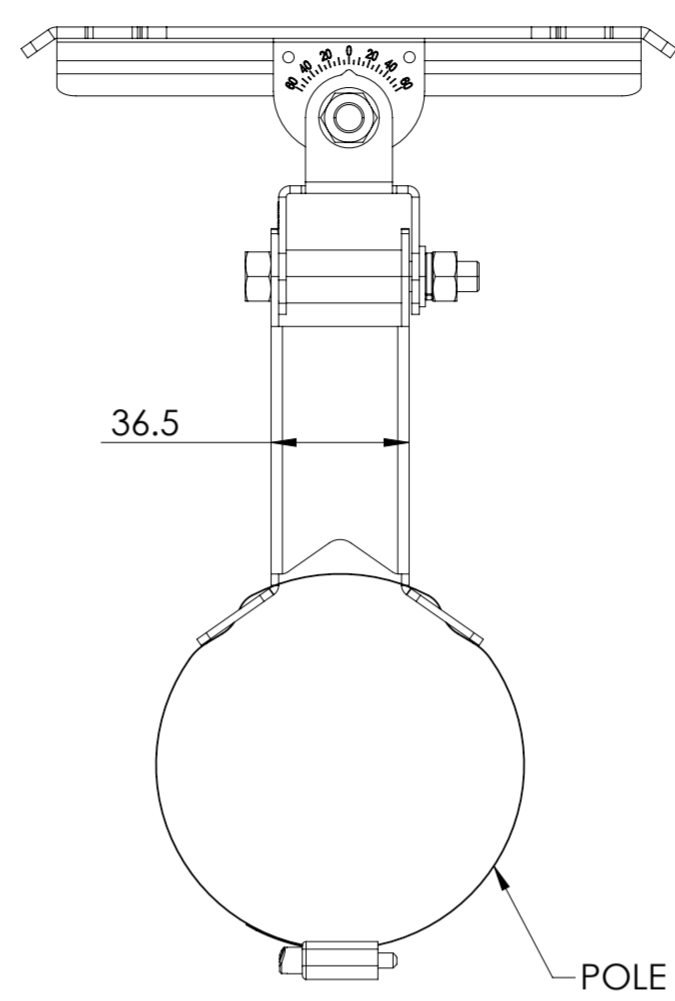
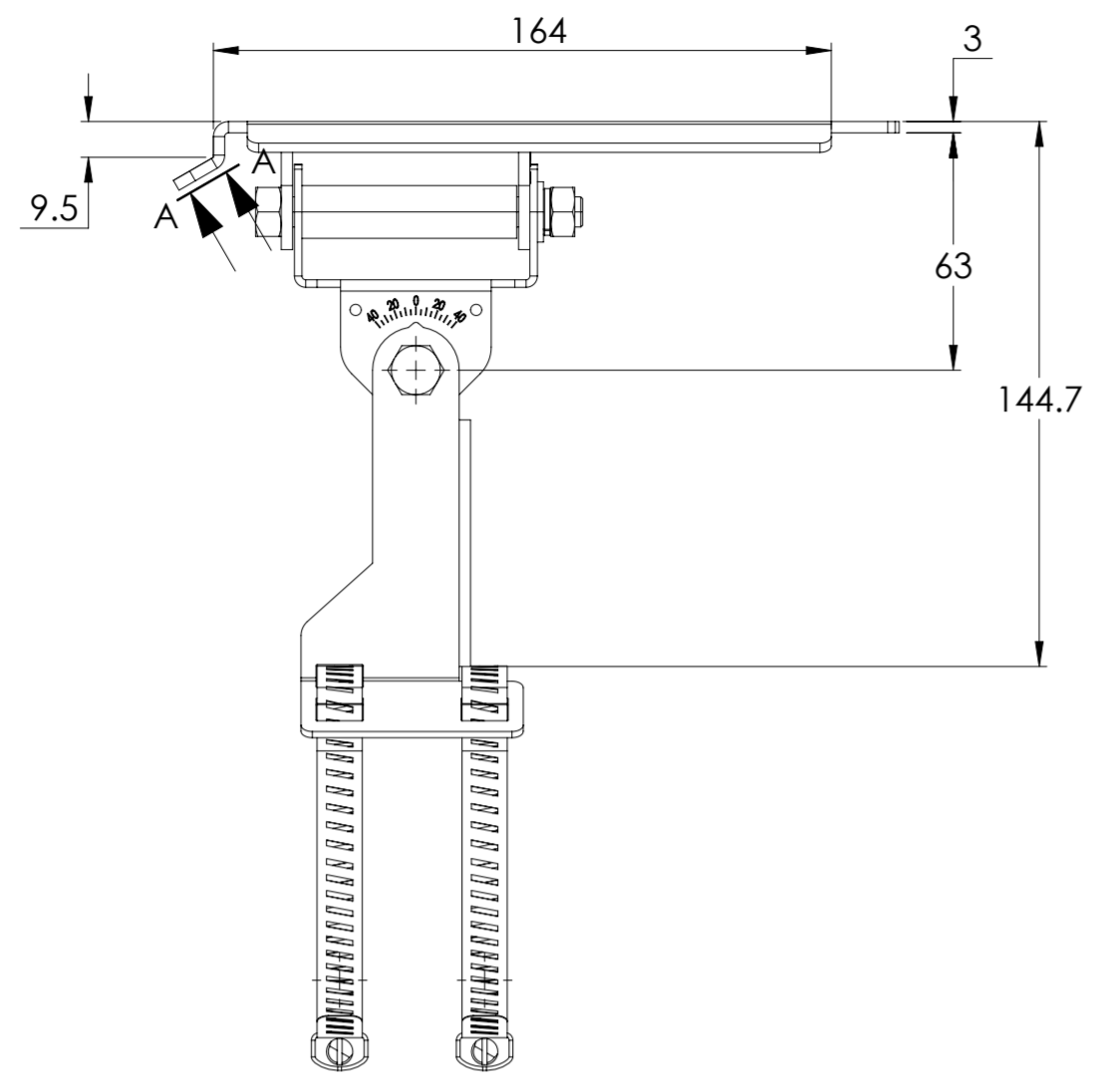
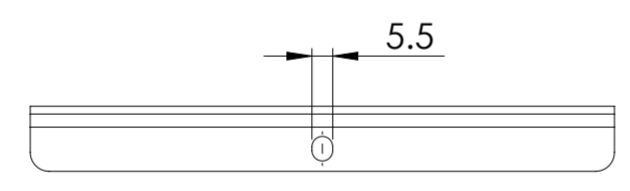


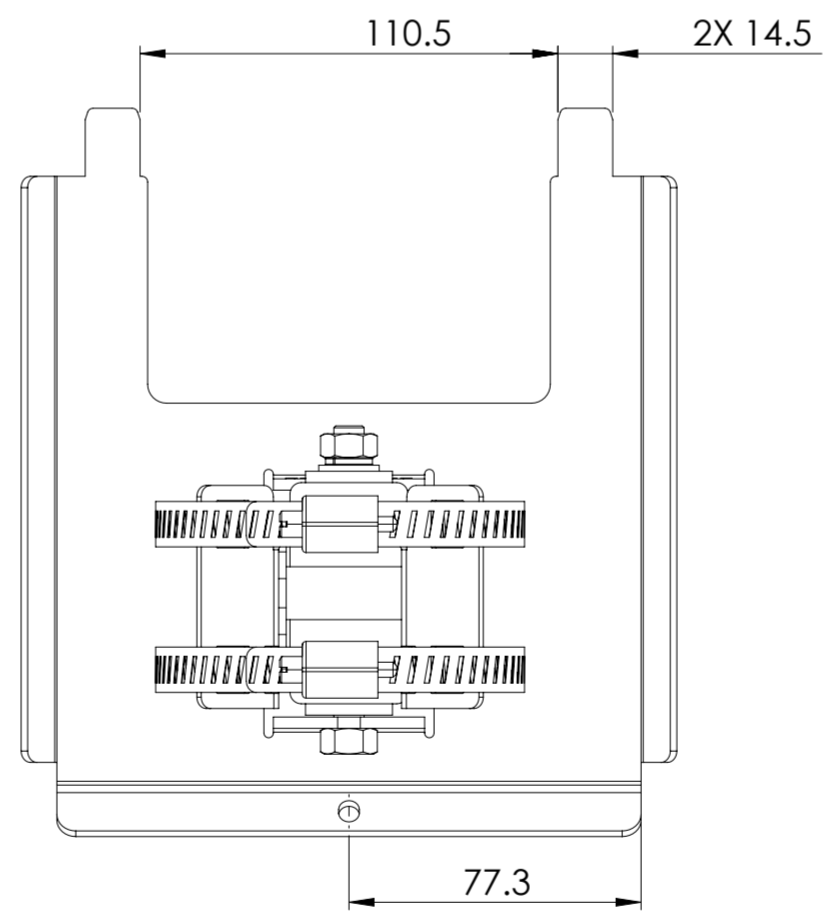
REVISIONS			
REV.	DESCRIPTION	DATE	APPROVED
A	ECR 13084PC: REL TO PRODUCTION PER EAO 609566.	10JUN21 SHL	YXW/XZJ
B	ECR 40196016CMO: UPDATE DRAWING.	24MAY24 LY	SWU/JIHE
C	ECR 40197569CMO: UPDATE DRAWING.	11JUN24 LY	SWU/JIHE



ISO VIEW
NO SCALE



VIEW A-A



BSAMNT-S

COMMSCOPE, INC. OF NORTH CAROLINA													
TOLERANCES						SAP MATERIAL MASTER							
0 PLACE X ±			2 PLACE .XX ±										
1 PLACE .X ±			ANGLES ±										
FINISH						MATERIAL							
PRODUCT DRAWING													
BSAMNT-S-L													
<small>UNLESS OTHERWISE SPECIFIED DIMENSIONS ARE IN MILLIMETERS INTERPRET PER ISO STANDARDS HANDBOOK TECHNICAL DRAWINGS VOLUMES 1 & 2, THIRD EDITION (2002)</small>													
		NAME		DATE		TITLE							
CE		SHL		06/09/2021									
RW		LY1028		06/11/2024									
AD		SW1081		06/11/2024									
RE		XIAOWANG		06/11/2024									
ECN		40197569CMO											
SCALE		1:2		DOCUMENT NO.									
SIZE		Auth Group		BSA		MODEL		DRAWING				SHEET	
A2						VERSION		STATUS		REVISION		REVISION	
						02		RE		C		02	
												1 OF 1	

DENSITY	g/mm ³
MASS	grams
VOLUME	mm ³
SURFACE AREA	mm ²
HEIGHT	
LENGTH	
WIDTH	