

4

3

2

1

1.0 GENERAL NOTES

- 1.1 ALL METRIC DIMENSIONS ARE IN BRACKETS [X.X]
- 1.2 FOR PATENT INFO: <https://www.cs-pat.com>

2.0 DESIGN NOTES

- 2.1 ANY HAZARDS OR OBSTRUCTIONS TO THE CLIMBING FACILITY AND SAFETY CLIMB MUST BE IDENTIFIED PRIOR TO INSTALLING THE APPURTENANCE. ADDITIONAL PRODUCTS MAY BE REQUIRED TO MAINTAIN THE INTEGRITY OF THE SAFETY CLIMB. DURING INSTALLATION, TEMPORARY AND/OR PERMANENT PRECAUTIONARY MEASURES SHOULD BE TAKEN TO PRESERVE THE CLIMBING FACILITY AND/OR SAFETY CLIMB.
- 2.2 FITS MONOPOLES 15"-45" O.D.
- 2.3 ANTENNA PIPES SHOULD BE CENTERED AND EVENLY SPACED.
- 2.4 POSITION MOUNT OR ADJUST SAFETY CLIMB CABLE SO NOT TO HINDER OR DAMAGE OR OBSTRUCT THE SAFETY CLIMB. SAFETY CABLE ROUTING BRACKET MAY BE PURCHASED SEPARATELY.

3.0 MANUFACTURING/SPECIAL REQUIREMENTS

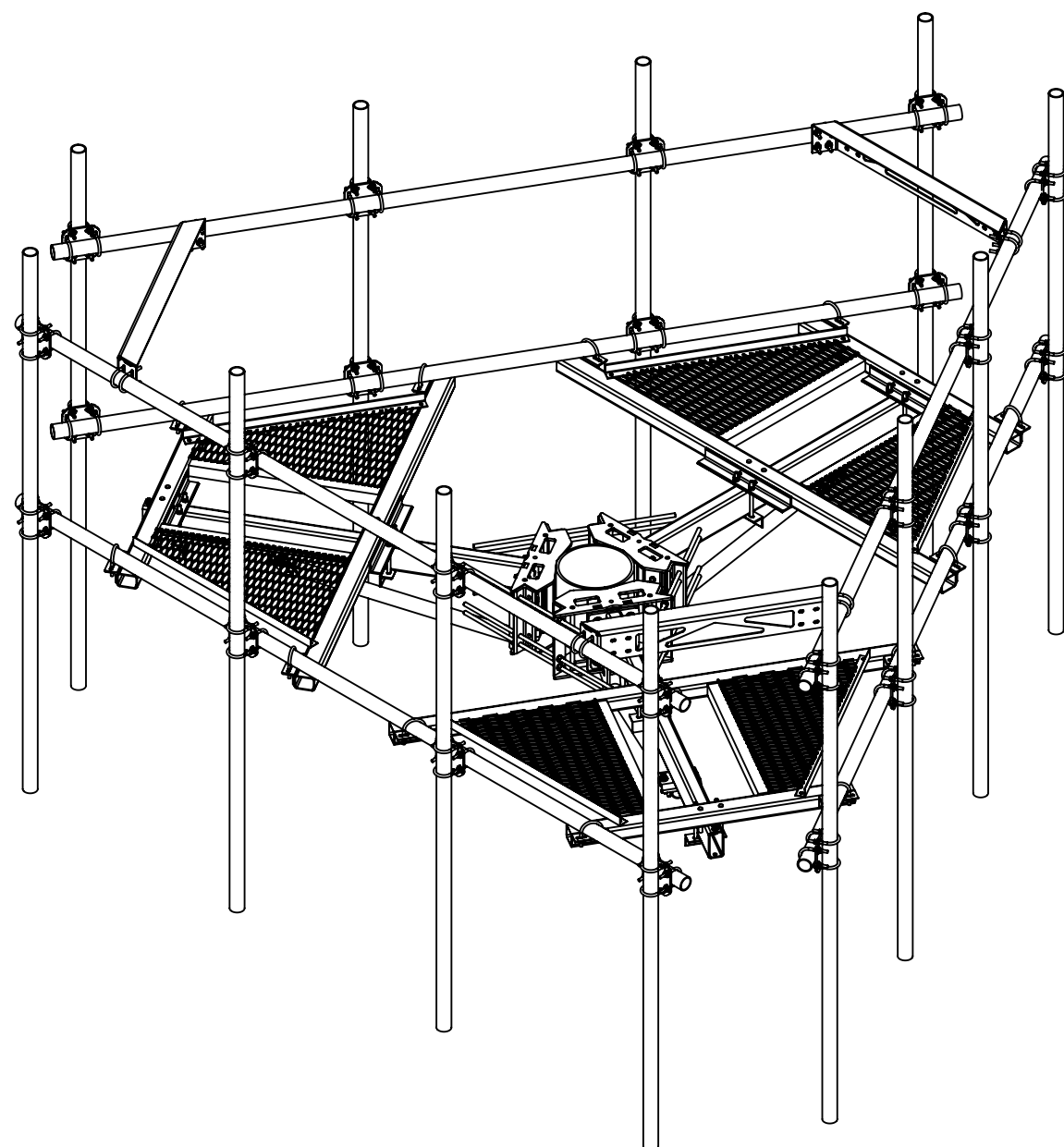
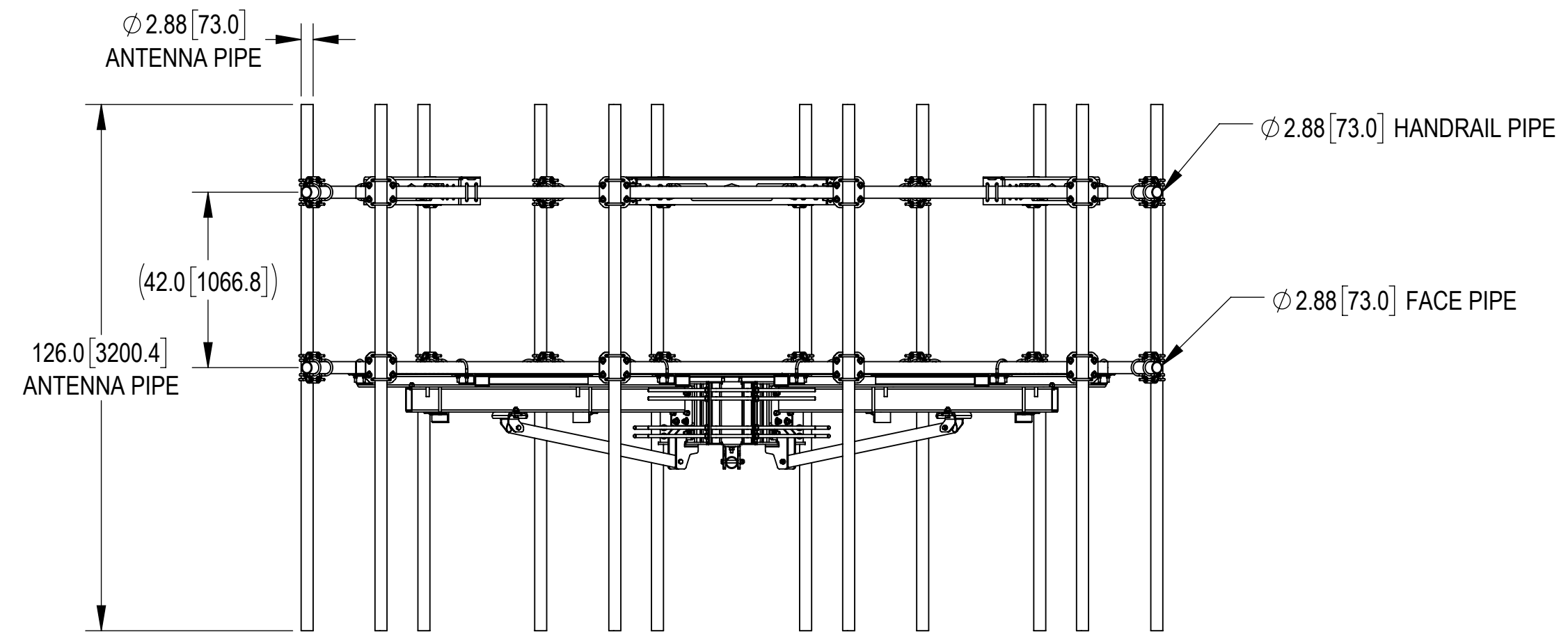
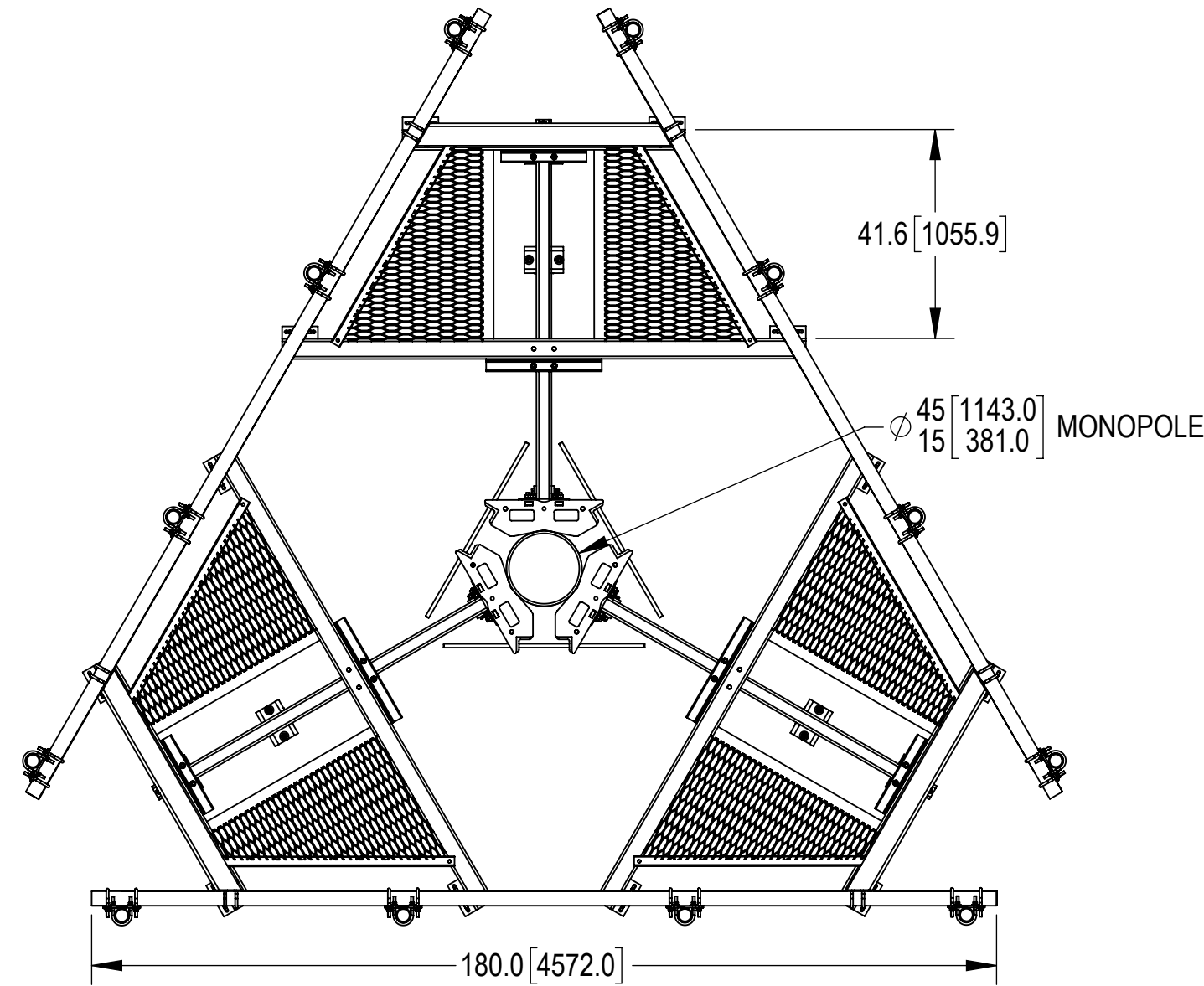
- 3.1 TIGHTEN ALL BOLTS SECURING FLAT PLATES BY THE TURN-OF-NUT METHOD. TIGHTEN ALL U-BOLTS USING TURN-OF-NUT METHOD WITH ATTENTION TO LEAVE EQUAL DISTANCE AND EQUAL FORCE ON EACH LEG OF THE U-BOLT. ALL FASTENERS SHOULD BE TIGHTENED PER AISC 6.5.2.
- 3.2 SUGGEST PRE-ASSEMBLE MINI KICKER BRACKET TO RING MOUNT ON THE GROUND.

4.0 TEST

5.0 PACKAGING

- 5.1 PACKAGING SHALL MEET COMMSCOPE REQUIREMENTS PER DOCUMENT IS-PL-3005
- 5.2 PRINTED DOCUMENT TO BE PLACED INSIDE POLYBAG AND THEN IN SHIPPING CONTAINER
- 5.3 EXTRA HARDWARE MAY BE SUPPLIED, BAGGED AND SHIPPED

REVISIONS			
REV.	DESCRIPTION	DATE	APPROVED
C	CREATED INDIVIDUAL DRAWING	YMENG 05JUN24	CB1094 40197348CMO



COMMSCOPE, INC. OF NORTH CAROLINA									
TOLERANCES					SAP MATERIAL MASTER				
1 PLACE .X[X] ± 0.2[6.3]			3 PLACE .XXX[X] ± 0.060[1.5]		MP-PP15M-12C-126				
2 PLACE .XX[X] ± 0.12[3.0]			ANGLES ± 2°						
FINISH					MATERIAL				
UNLESS OTHERWISE SPECIFIED DIMENSIONS ARE IN INCHES INTERPRET PER ANSI Y 14.5M-1994	NAME		DATE		MP, 15', 3S, (12) 2.88" X 126" PIPE, W/HR				
	CE YMENG		05JUN24						
	RW YMENG		06/06/2024						
	AD CB1094		06/07/2024						
	RE YMENG		06/07/2024						
ECN 40197348CMO					SCALE		DOCUMENT NO.		
					1:28		MP-PP15M-12C-126		
SIZE		Auth Group		INSL		MODEL		DRAWING	
C		[Symbol]		[Symbol]		VERSION		STATUS	
						03		RE	
						D		00	
						RE		C	
								1 OF 10	

DENSITY		lbs/in ³
MASS	3020.39	lbs
VOLUME	11044.29	in ³
SURFACE AREA	97386.99	in ²
HEIGHT		
LENGTH		
WIDTH		

4

3

2

1

PART NUMBERS, WEIGHTS, & EPA

TABLE 1: CONFIGURATIONS

PART NUMBER	DESCRIPTION	WEIGHT (LBS)	(EPA)A (FT^2)*	(EPA)A 1/2" ICE THICKNESS (FT^2)*	ANTENNA PIPES	INCLUDED PARTS							
						MC-RMHD-1245-3	MC-AS-SB03	RK-48-3MK	MPPP-HK01	MT546180	HRK-15-12-01	XP-2525-12	MT-546-126
MP-PP15M-12C-126	MP,15',3S,(12)2.88"X126"PIPE,W/HR	3020.39	36.66	48.93	12	1	1	1	1	3	1	2	12

* (EPA)A DOES NOT INCLUDE ANTENNA PIPES AND MOUNTING HARDWARE. IF DESIRED, ADD ANTENNA PIPE PER TABLE 2

TABLE 2: EPA OF EACH ANTENNA PIPE

ANTENNA PIPE	(EPA)A (FT^2)	(EPA)A W/ 1/2" ICE THICKNESS (FT^2)
2-7/8" X126"	2.42	3.26


NOTE:

1. ANTENNA PIPES ARE CONSIDERED SEPARATELY.
2. KA FACTOR OF 3-SECTOR EPA INCLUDED.
3. COMBINE THE ASSOCIATED EPA VALUES IN THE TABLES ABOVE TO DETERMINE THE EPA OF A MOUNT MODEL WITH A LISTED MOUNT PIPE CONFIGURATION. FOR EXAMPLE, MP-PP15M-12C-126 HAS A 3-SECTOR EPA OF 36.66 FT2 WITH NO ICE PLUS 12 ANTENNA PIPES WITH A 3-SECTOR EPA OF 12X2.42=29.04 FT2 WITH NO ICE. SO, THE TOTAL EPA OF 65.70 FT2 FOR THE MP-PP15M-12C-126

COMMScope, INC. OF NORTH CAROLINA

TITLE
MP,15',3S,(12)2.88"X126"PIPE,W/HR

SIZE C	SCALE 1:48	DOCUMENT NO. MP-PP15M-12C-126
------------------	----------------------	----------------------------------

	DRAWING			SHEET 2 OF 10
	VERSION 00	STATUS RE	REVISION C	

4

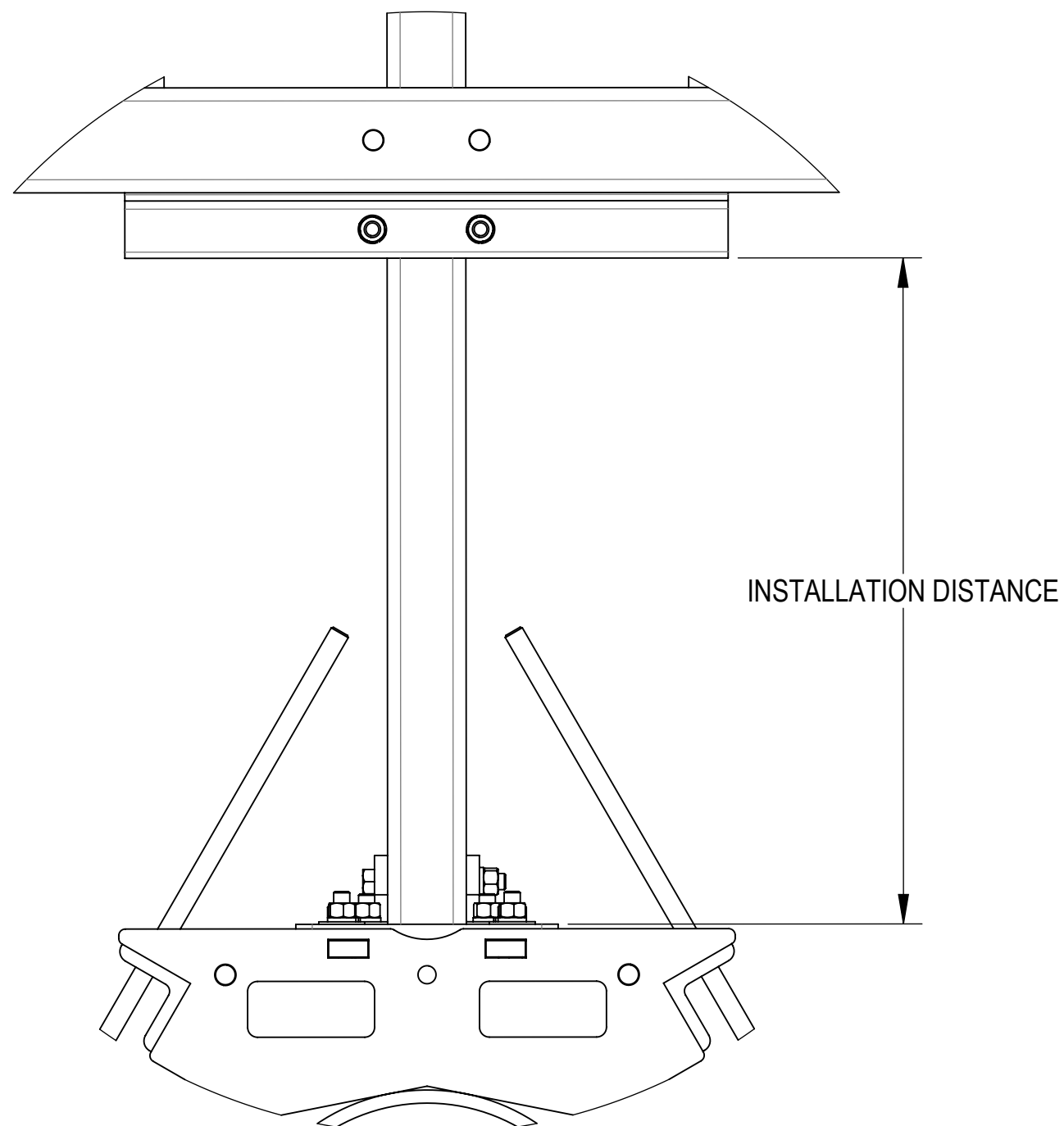
3

2

1

PLATFORM FOR INSTALLATION

ADJUST THE INSTALLATION DISTANCE ACCORDING TO THE DIAMETER OF THE MONOPOLE WHEN INSTALL PLATFORM MC-AS-7000-00. SEE TABLE 3 DETAIL FOR THE DISTANCE ADJUSTED.



DETAIL X
SCALE 1 : 6

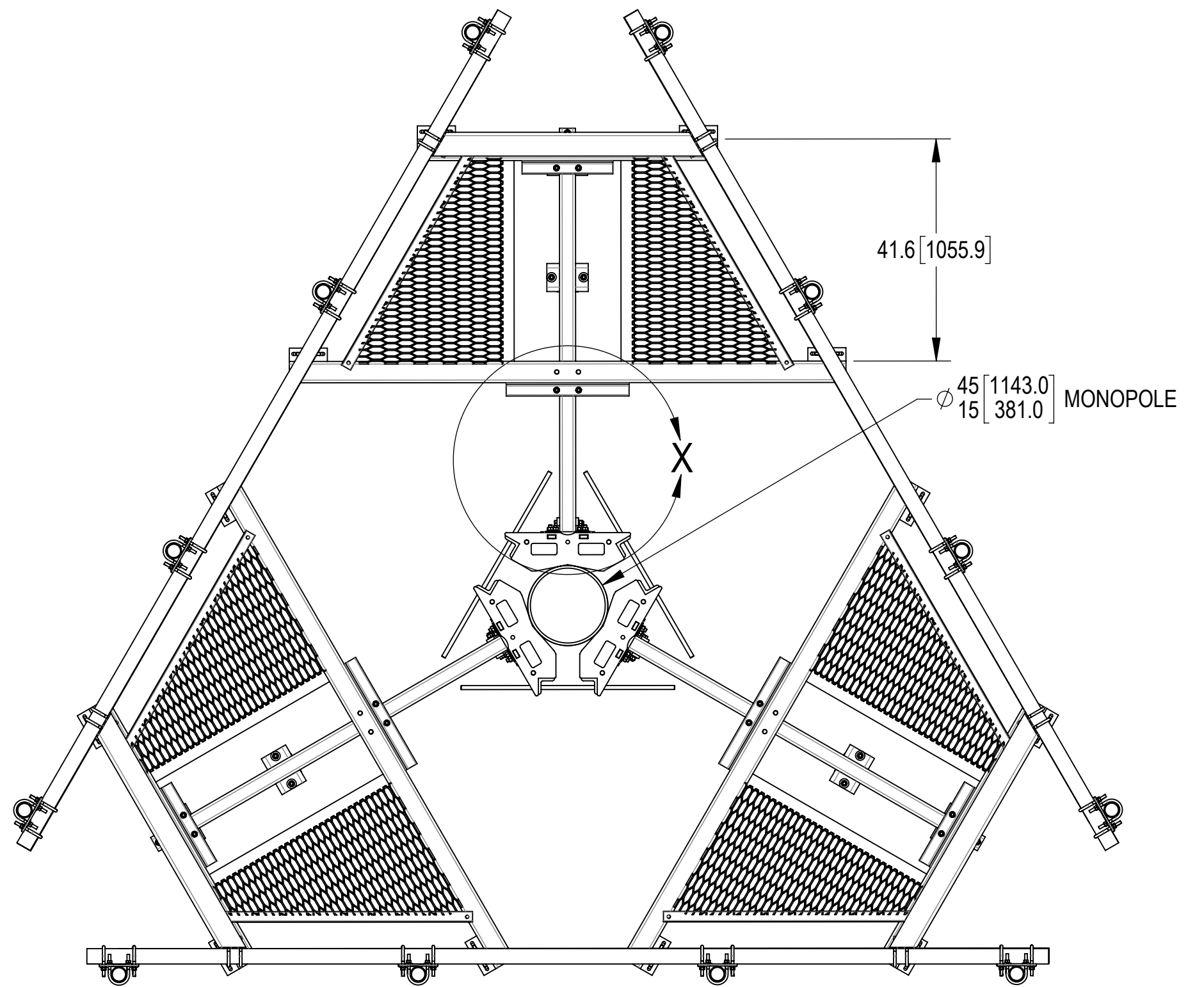


TABLE 3: PLATFORM INSTALLATION POSITION

DIAMETER OF MONOPOLE (INCH)	DISTANCE (INCH)	DIAMETER OF MONOPOLE (MM)	DISTANCE (MM)
15	25.40	381.0	645.2
17.5	24.13	444.5	612.9
20	22.85	508.0	580.4
22.5	21.58	571.5	548.1
25	20.30	635.0	515.6
27.5	19.03	698.5	483.4
30	17.75	762.0	450.9
32.5	16.48	825.5	418.6
35	15.21	889.0	386.3
37.5	13.93	952.5	353.8
40	12.66	1016.0	321.6
42.5	11.38	1079.5	289.1
45	10.11	1143.0	256.8

NOTE: FOR MONOPOLE DIAMETERS THAT ARE NOT IN THE TABLE, USE BELOW FORMULA TO GET THE VALUE OF THE ADJUSTMENT:
DISTANCE OF ADJUSTMENT = 33.05- 0.51*D (INCH), WHERE D(INCH) IS THE DIAMETER OF MONOPOLE

COMMSCOPE, INC. OF NORTH CAROLINA

TITLE
MP, 15', 3S, (12) 2.88" X 126" PIPE, W/HR

SIZE C	SCALE 1:23	DOCUMENT NO. MP-PP15M-12C-126
------------------	----------------------	----------------------------------

DRAWING	VERSION	STATUS	REVISION	SHEET 3 OF 10
	00	RE	C	

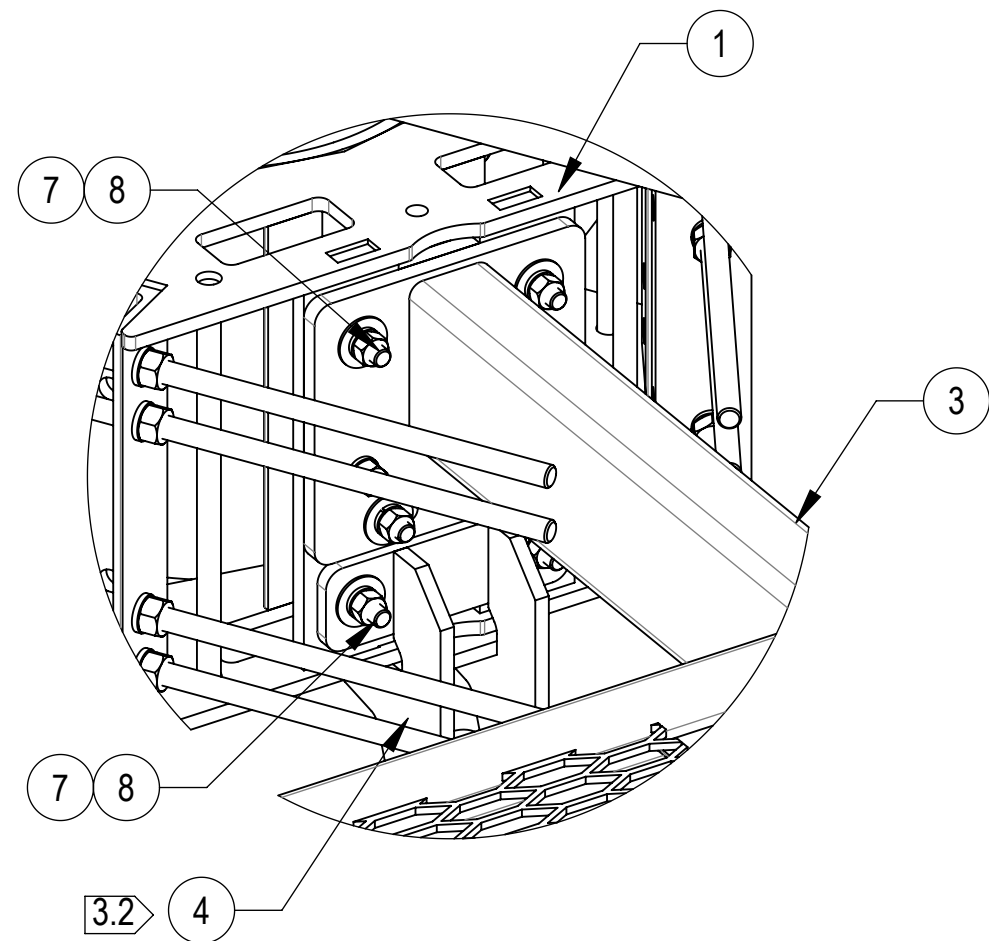
© 2024 CommScope, Inc. Confidential

4

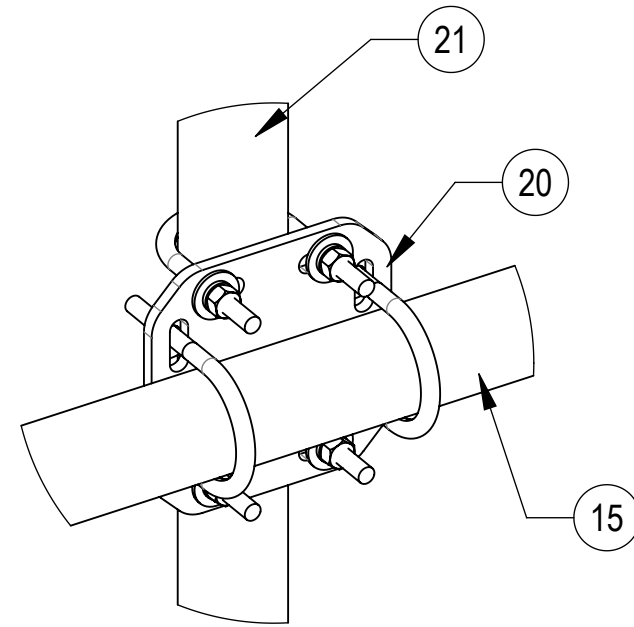
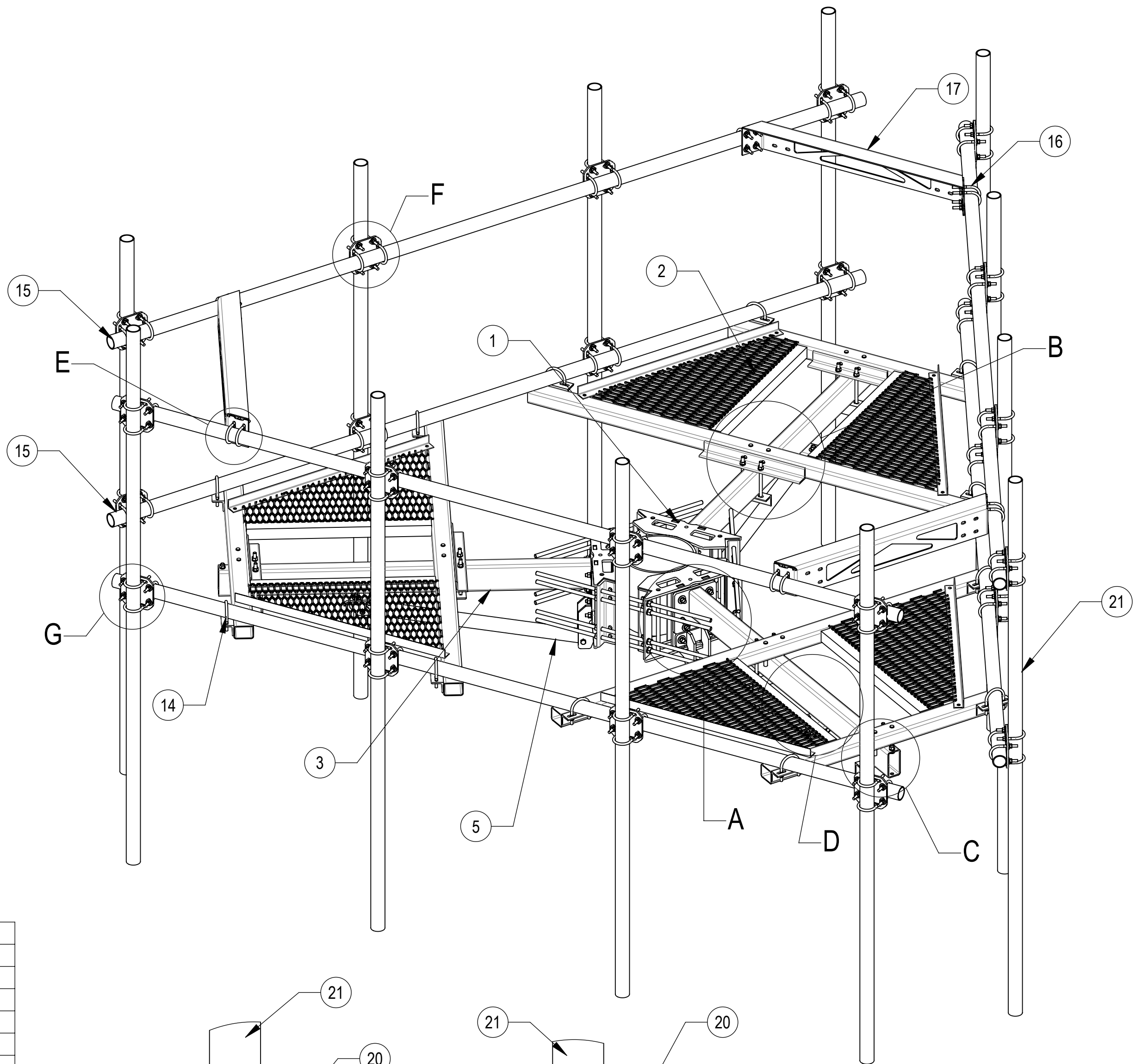
3

2

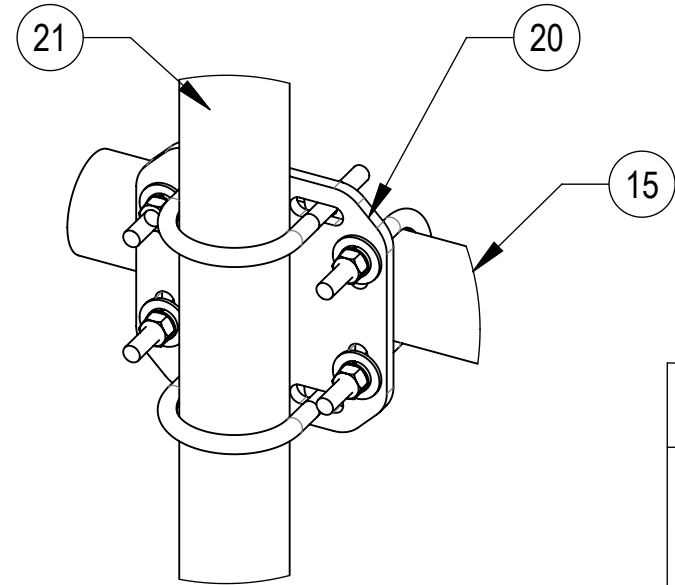
1



DETAIL A
SCALE 1 : 6



DETAIL F
SCALE 1 : 5



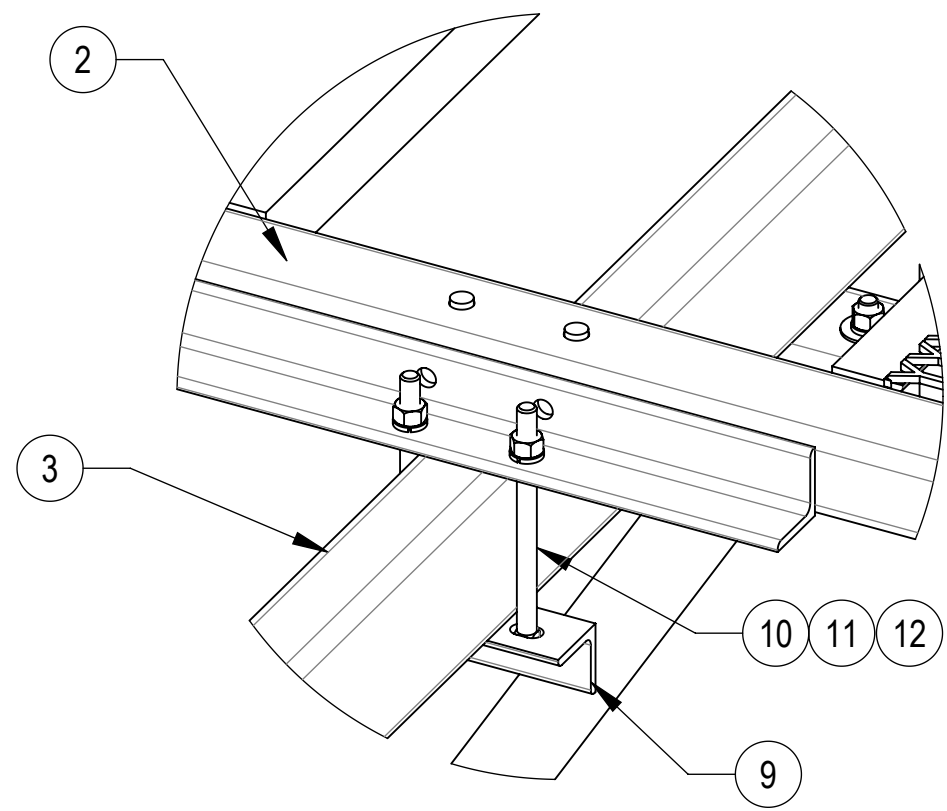
DETAIL G
SCALE 1 : 5

SOME ITEMS OMITTED FOR CLARITY

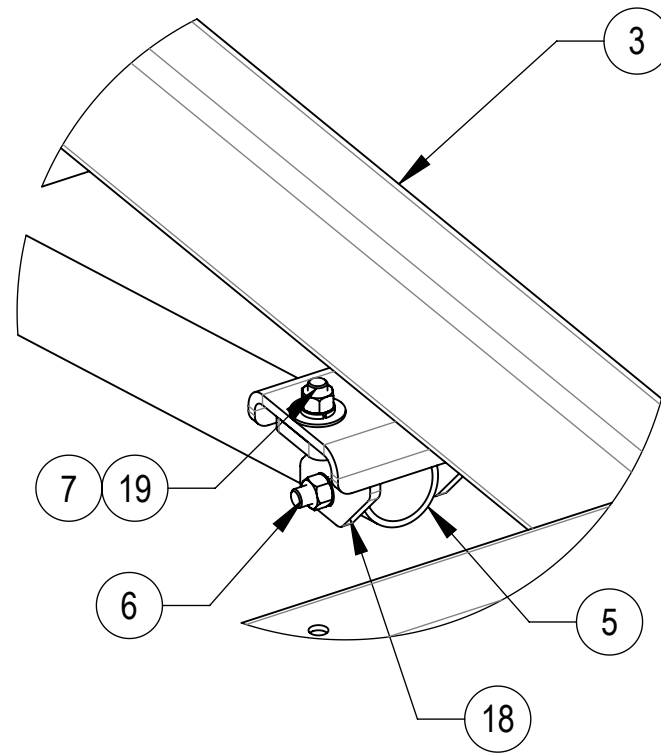
B COMPONENT PART NUMBERS PROVIDED FOR ASSEMBLY PURPOSES;
INDIVIDUAL COMPONENTS MAY BE SHIPPED AS PARTS WITHIN AN INCLUDED KIT.

ITEM	PART NO.	DESCRIPTION	QTY.	WEIGHT	NOTE NO.
1	MC-RMHD-1245-3	3 SECTOR RING MOUNT, 12"-45" POLE	1	329.19 LBS	
2	MC-AS-7000-00	WELDMENT, CO-LOCATION PLATFORM DECK	3	208.07 LBS	
3	MC-AS-5000-00	WELDMENT, MONO PLATF SPINDLE	3	107.22 LBS	
4	MC-AS-6100-00	WELDMENT, MINI KICKER BRACKET	3	14.77 LBS	
5	RK48-00	MINI KICKER ARM SUPPORT TUBE 48"	3	22.96 LBS	
6	GB-0550A	5/8" X 5" GALV BOLT KIT (A325)	6	0.52 LBS	
7	GWF-05	5/8" GALV FLAT WASHER, 1.7OD	33	0.06 LBS	
8	GB-0524A	5/8" X 2-1/2" GALV HEX BOLT (A325)	27	0.31 LBS	
9	MC-AS-1200-00	CLAMP PLATE, CO-LOCATION PLATFORM	6	2.97 LBS	
10	9615-14	BOLT, CARRIAGE, 5/8-11, 8.5, STL GALV	12	0.82 LBS	
11	GWL-05	5/8" GALV LOCK WASHER	12	0.03 LBS	
12	GN-05	5/8" GALV HEX NUT	12	0.08 LBS	
13	GB-05125	5/8" X 1-1/4" GALV BOLT KIT	3	0.20 LBS	
14	GUB-4355	1/2" X 3-5/8" X 5" GALV U-BOLT	12	0.71 LBS	
15	MT546180	2.875" O.D. X 180" PIPE	6	87.21 LBS	
16	GUB-4352	1/2" X 3" X 5-1/4" GALV U-BOLT	12	0.71 LBS	
17	MC-AS-6300-00	CORNER WELDMENT, HANDRAIL	3	31.87 LBS	
18	MC-AS-6400-00	WELDMENT, MINI KICKER CLIP	3	5.97 LBS	
19	GB-0520A	5/8" X 2" GALV BOLT KIT (A325)	6	0.26 LBS	
20	XP-2525	CROSSOVER PLATE KIT, 2-7/8 OD X 2-7/8 OD	24	8.37 LBS	
21	MT-546-126	PIPE, 2.875"OD X 126"	12	61.05 LBS	

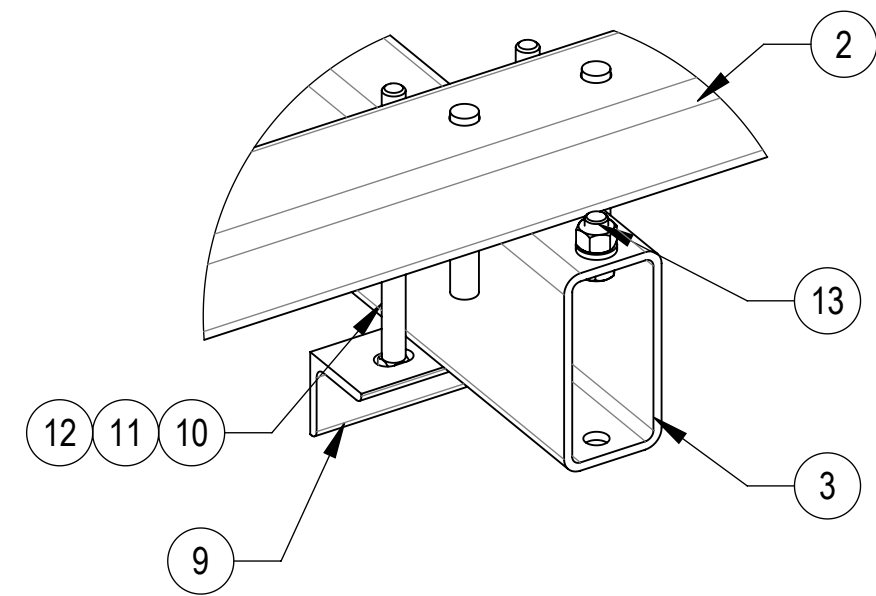
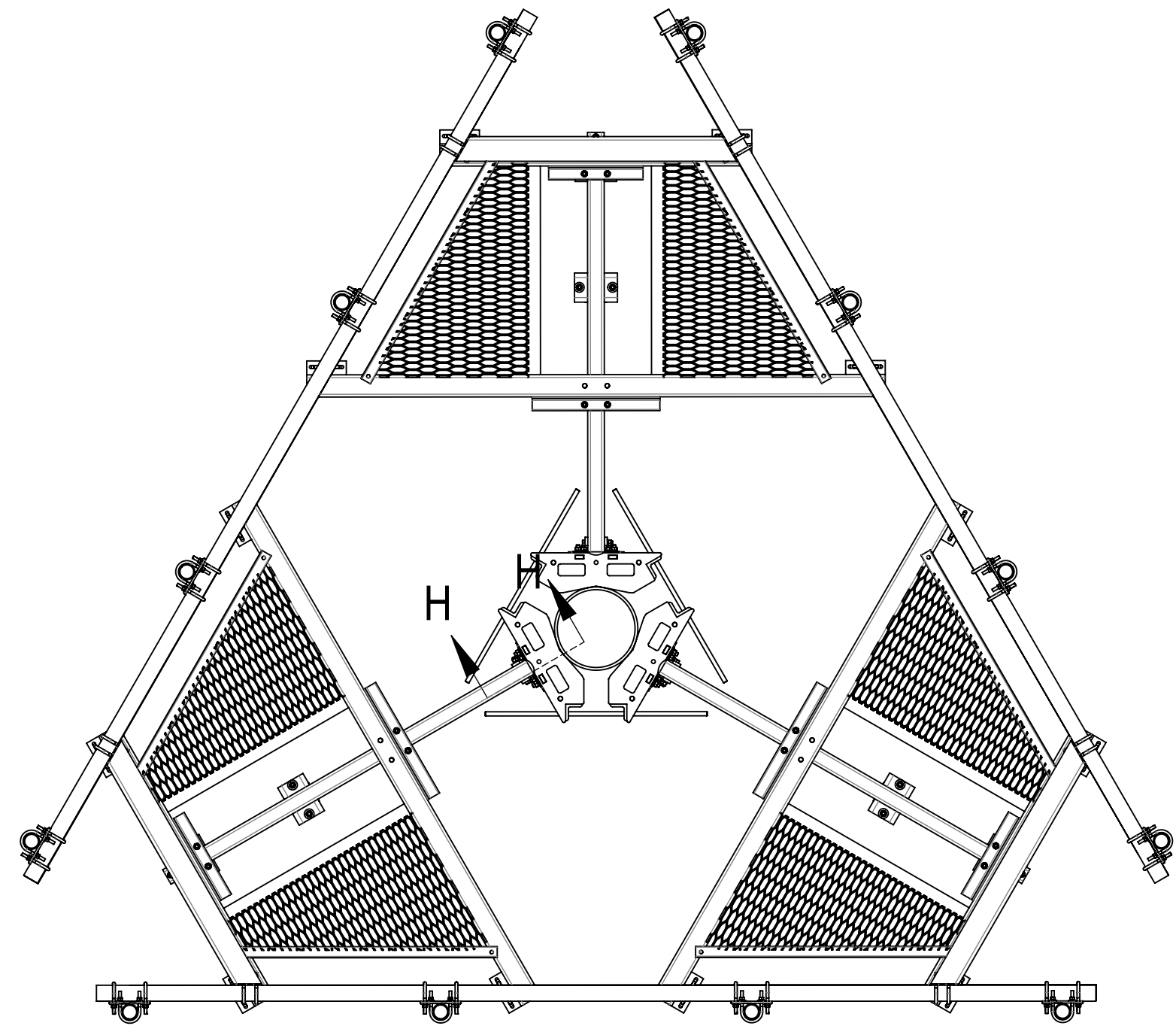
COMMSCOPE, INC. OF NORTH CAROLINA				
TITLE MP, 15', 3S, (12) 2.88" X 126" PIPE, W/HR				
SIZE C	SCALE 1:20	DOCUMENT NO. MP-PP15M-12C-126		
DRAWING		VERSION	STATUS	REVISION
		00	RE	C
				SHEET 4 OF 10



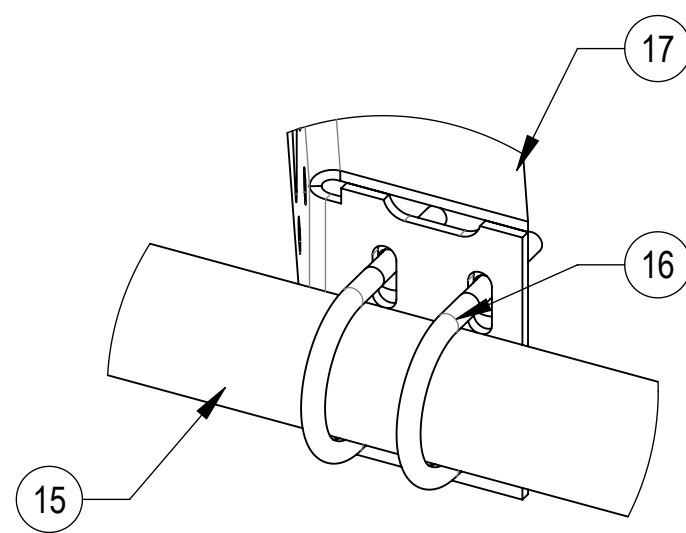
DETAIL B
SCALE 1 : 6



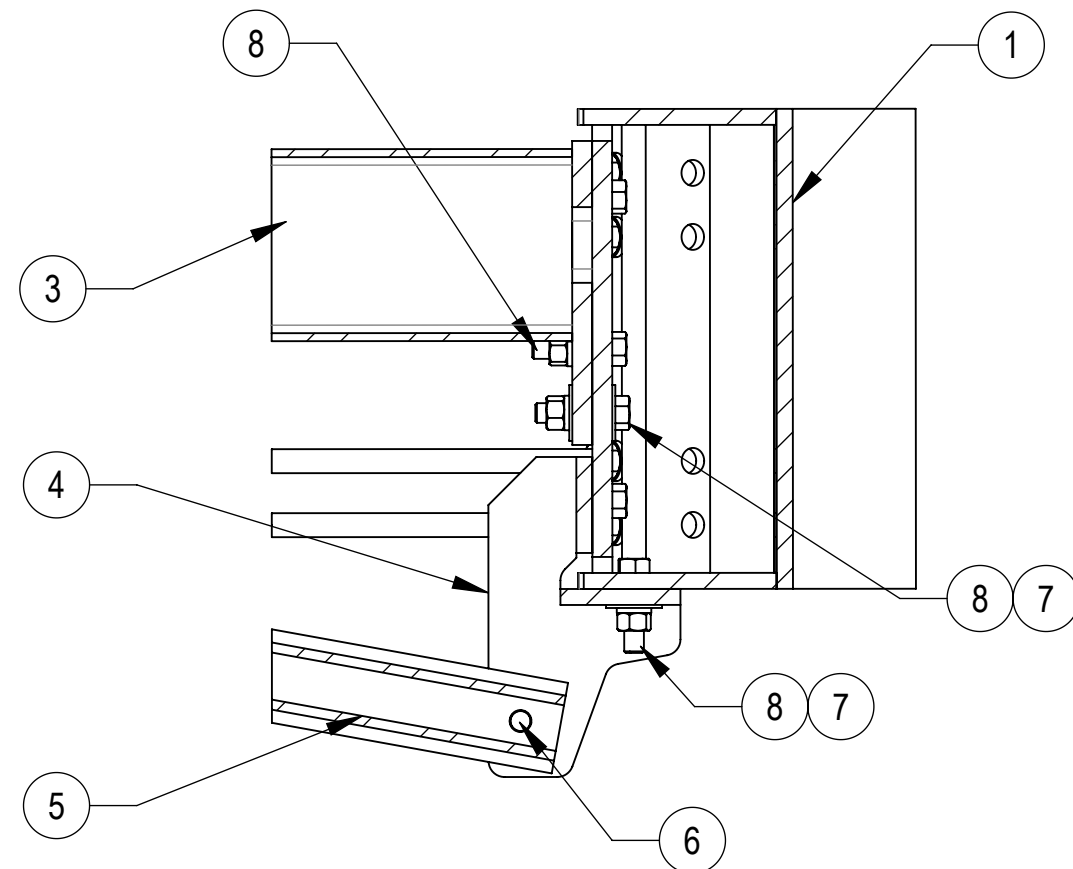
DETAIL D
SCALE 1 : 6



DETAIL C
SCALE 1 : 5



DETAIL E
SCALE 1 : 4

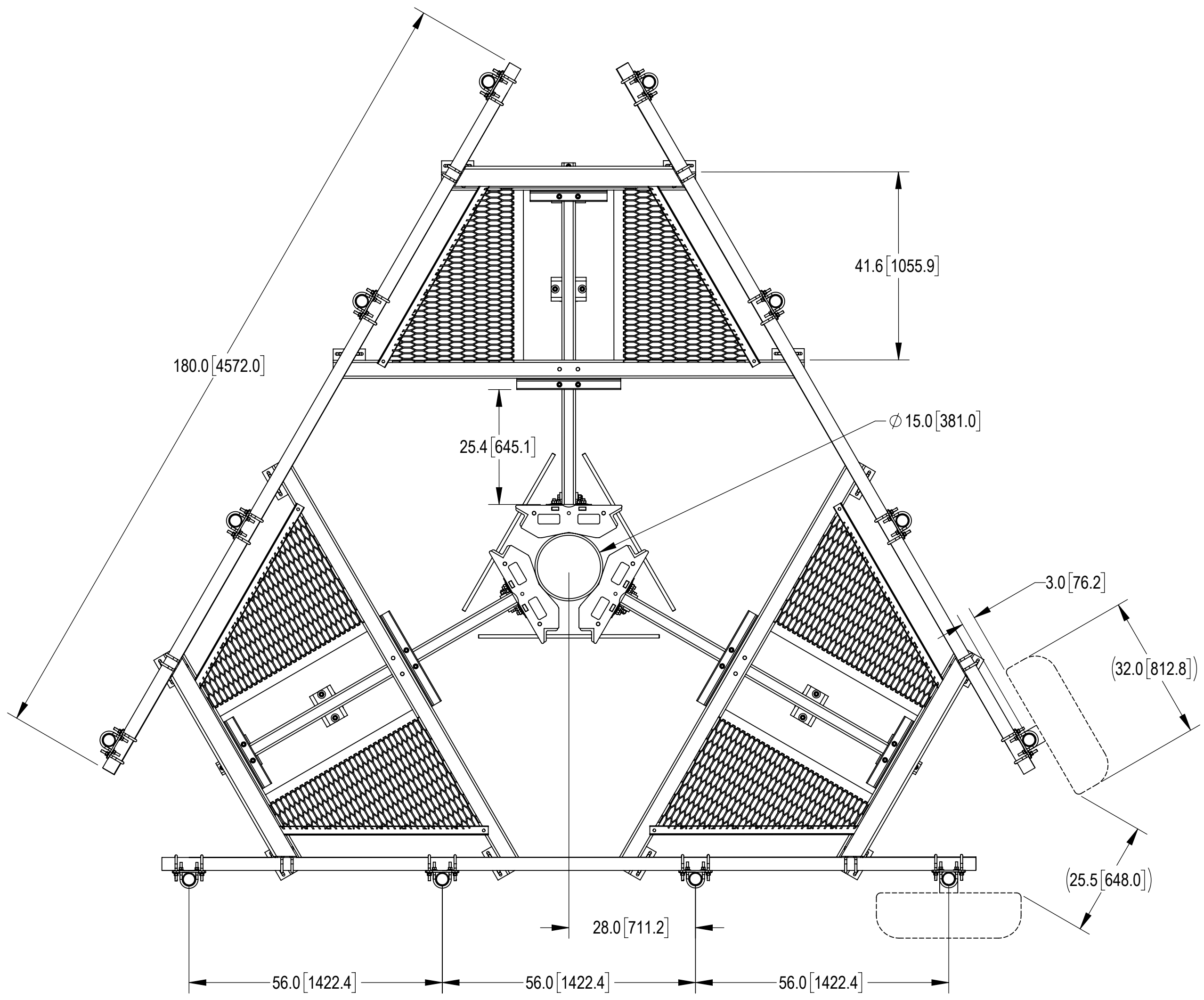


SECTION H-H
SCALE 1 : 6

SOME ITEMS OMITTED FOR CLARITY

COMMSCOPE, INC. OF NORTH CAROLINA				
TITLE MP, 15', 3S, (12) 2.88" X 126" PIPE, W/HR				
SIZE C	SCALE 1:20	DOCUMENT NO. MP-PP15M-12C-126		
		DRAWING		SHEET
		VERSION	STATUS	REVISION
		00	RE	C
				5 OF 10

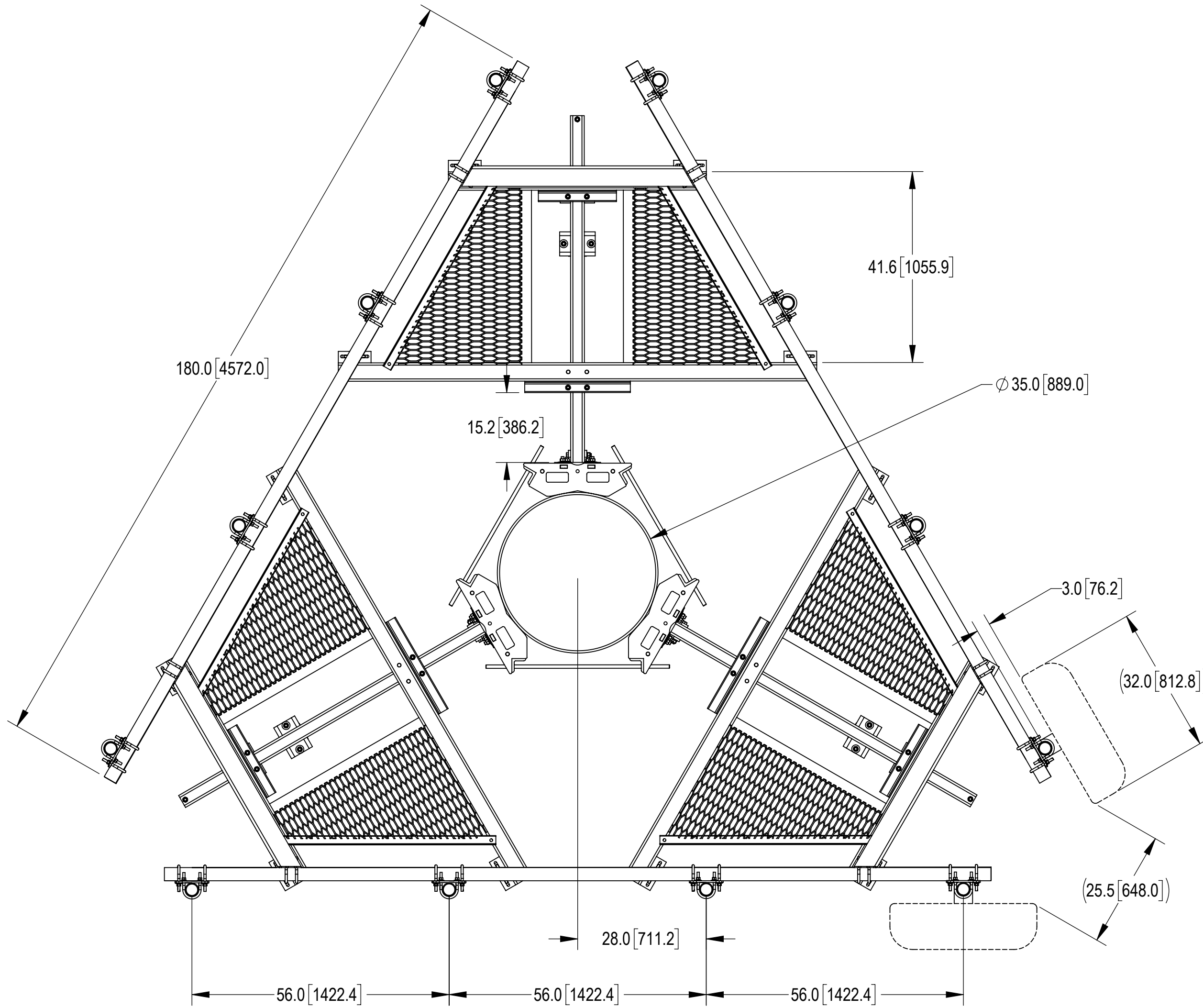
ANTENNA SPACING SHOWN



15" MONOPOLE

COMMSCOPE, INC. OF NORTH CAROLINA				
TITLE MP, 15', 3S, (12) 2.88" X 126" PIPE, W/HR				
SIZE C	SCALE 1:25	DOCUMENT NO. MP-PP15M-12C-126		
		DRAWING		SHEET
		VERSION	STATUS	REVISION
		00	RE	C
				6 OF 10

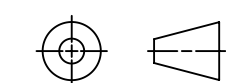
ANTENNA SPACING SHOWN



35" MONOPOLE

COMMSCOPE, INC. OF NORTH CAROLINA				
TITLE MP, 15', 3S, (12) 2.88" X 126" PIPE, W/HR				
SIZE C	SCALE 1:25	DOCUMENT NO. MP-PP15M-12C-126		
		DRAWING		SHEET
		VERSION	STATUS	REVISION
		00	RE	C
				8 OF 10

© 2024 CommScope, Inc. Confidential



D

C

B

A

4

3

2

1

4

3

2

1

4

3

2

1

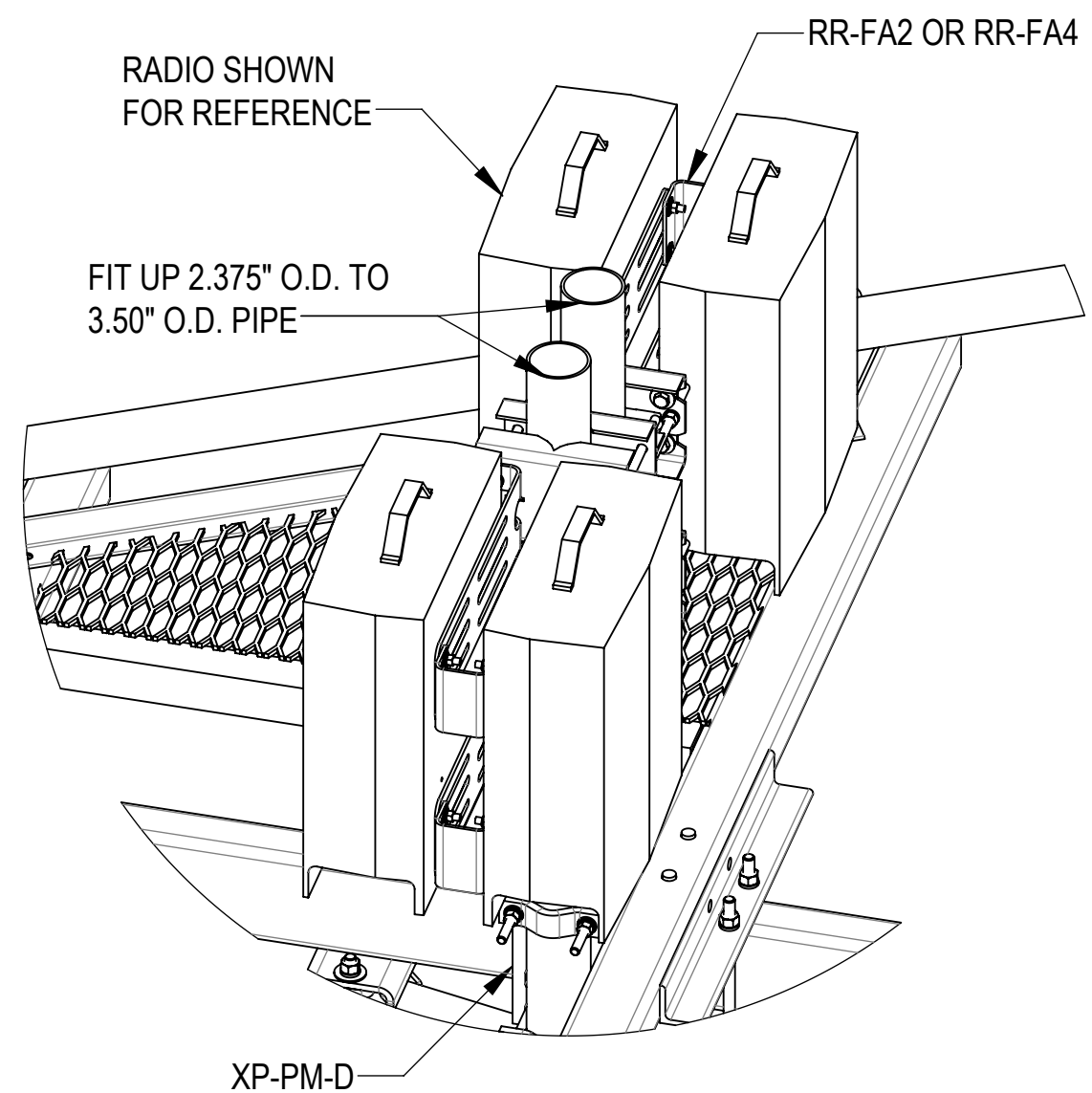
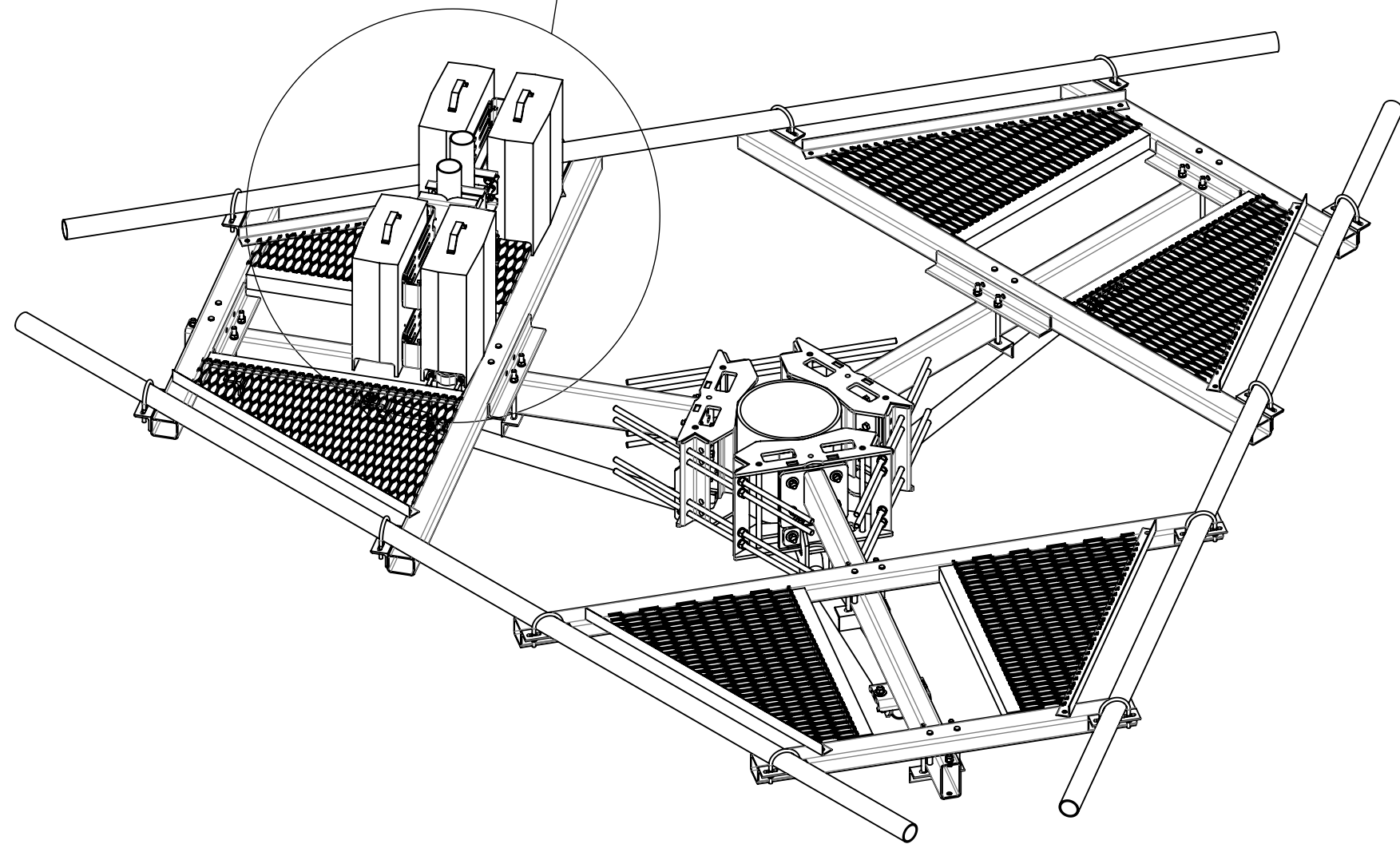
OPTIONAL ACCESSORIES

(ALL THE ACCESSORY ITEMS TO BE PURCHASED SEPARATELY)

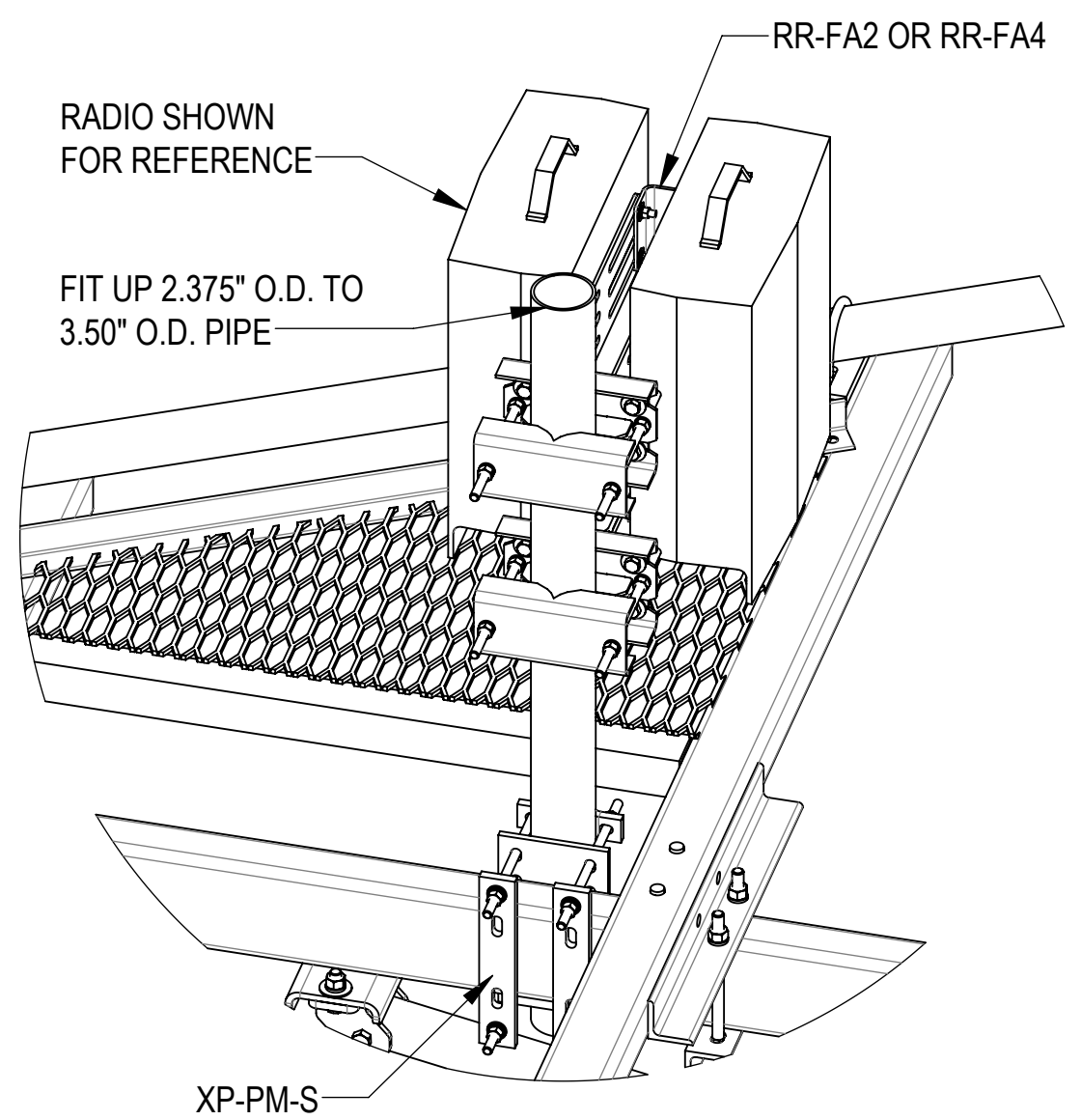
MP RRU SUPPORT KIT:

- XP-PM-D
- XP-PM-S
- RR-FA2 OR RR-FA4

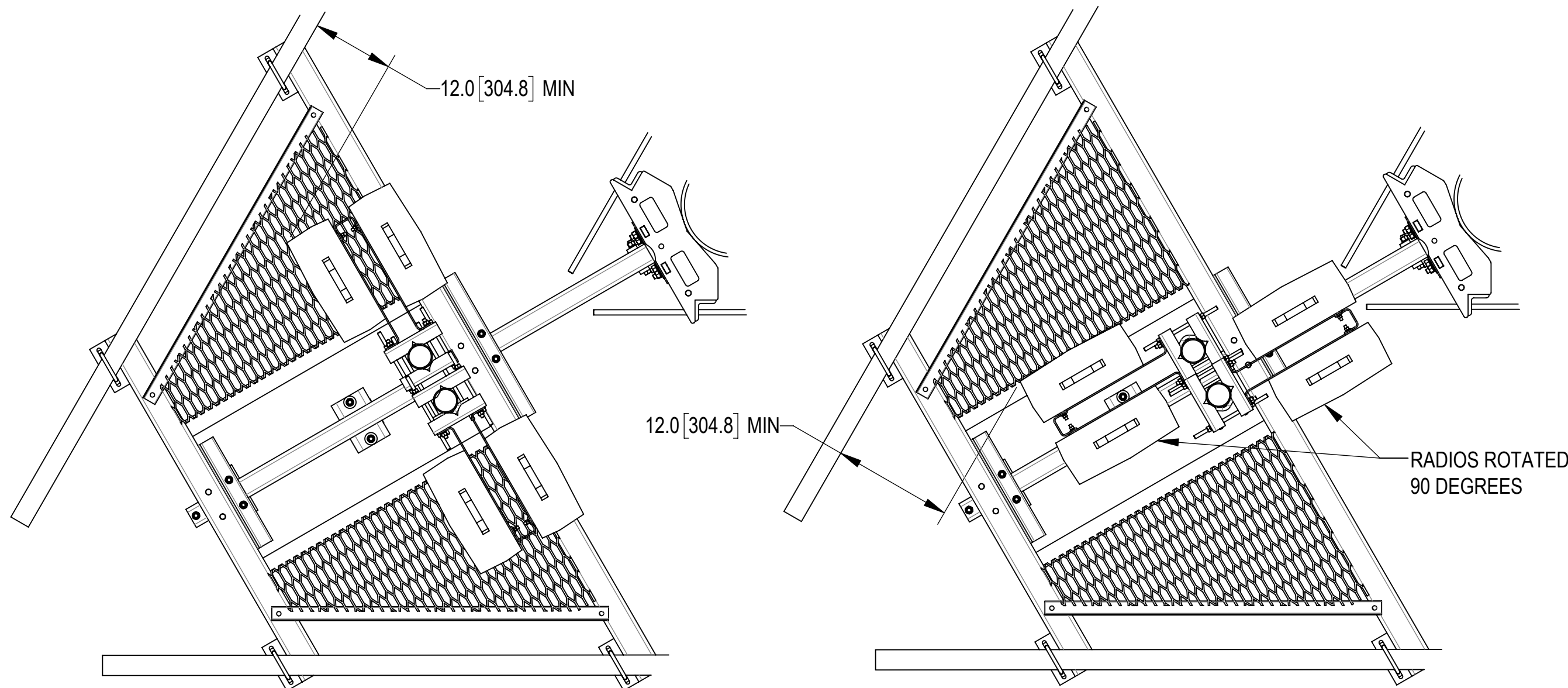
XP-PM-D MOUNTED VIEW



(HIDE ONE SIDE OF THE RRU FOR CLARITY)
 DETAIL XP-PM-D MOUNTED VIEW
 SCALE 1 : 10



DETAIL XP-PM-S MOUNTED VIEW
 SCALE 1 : 10



COMMSCOPE, INC. OF NORTH CAROLINA				
TITLE MP, 15', 3S, (12) 2.88" X 126" PIPE, W/HR				
SIZE C	SCALE 1:20	DOCUMENT NO. MP-PP15M-12C-126		
		DRAWING		SHEET
		VERSION 00	STATUS RE	REVISION C

4

3

2

1