

4

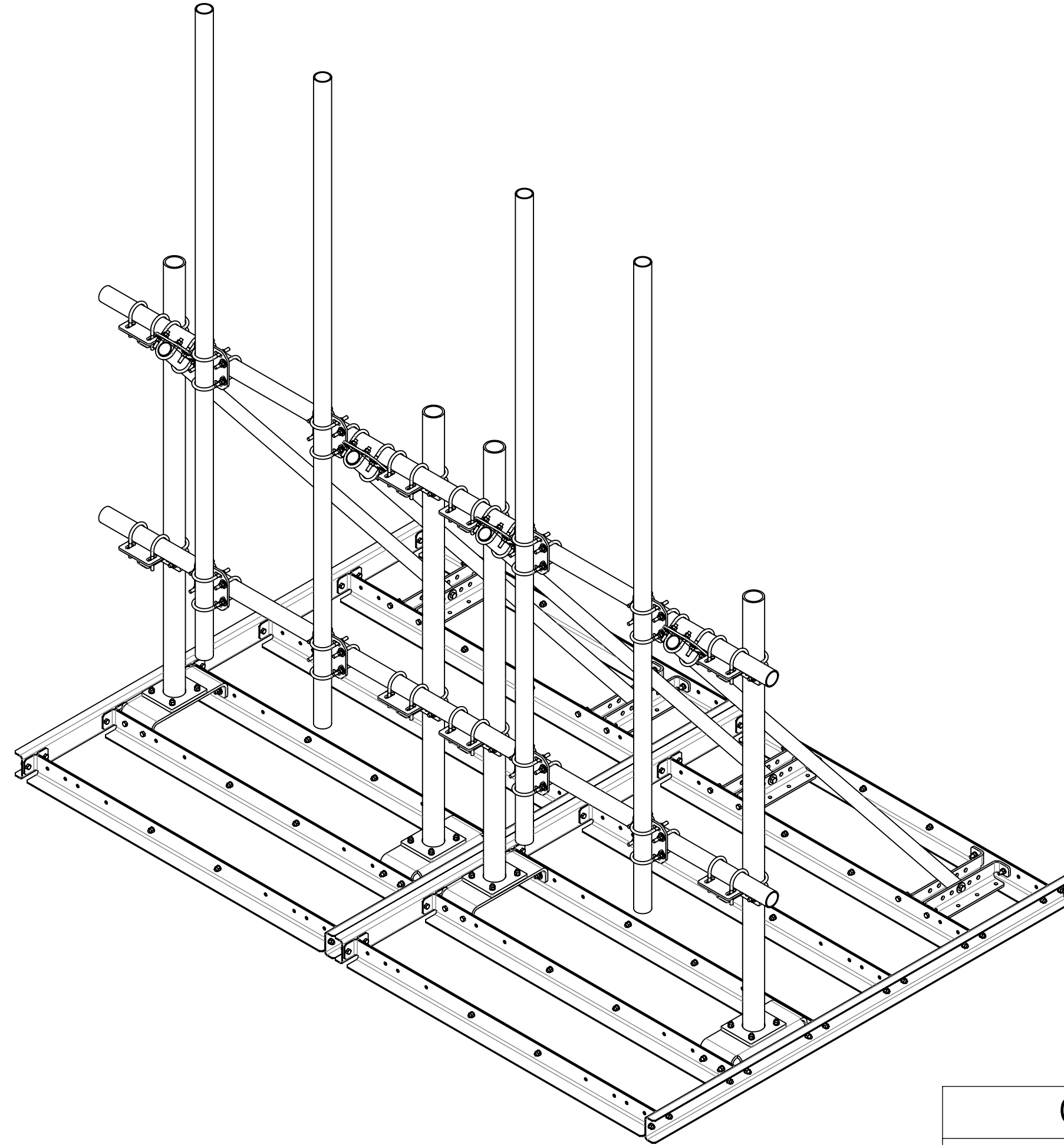
3

2

1

- 1.0 GENERAL NOTES
 - 1.1 ALL METRIC DIMENSIONS ARE IN BRACKETS [X.X]
 - 1.2 FOR PATENT INFO: <https://www.cs-pat.com>
- 2.0 DESIGN NOTES
- 3.0 MANUFACTURING/SPECIAL REQUIREMENTS
 - 3.1 TIGHTEN ALL BOLTS SECURING FLAT PLATES BY THE TURN-OF-NUT METHOD. TIGHTEN ALL U-BOLTS USING TURN-OF-NUT METHOD WITH ATTENTION TO LEAVE EQUAL DISTANCE AND EQUAL FORCE ON EACH LEG OF THE U-BOLT.
- 4.0 TEST
- 5.0 PACKAGING
 - 5.1 PACKAGING SHALL MEET COMMSCOPE REQUIREMENTS PER DOCUMENT IS-PL-3005.
 - 5.2 PRINTED DOCUMENT TO BE PLACED INSIDE POLYBAG AND THEN IN SHIPPING CONTAINER.
 - 5.3 EXTRA HARDWARE MAY BE SUPPLIED, BAGGED AND SHIPPED.

REVISIONS			
REV.	DESCRIPTION	DATE	APPROVED
A	INDIVIDUAL DRAWING INITIAL RELEASE	YX1027 04JUN24	AIBIN 40197219CMO



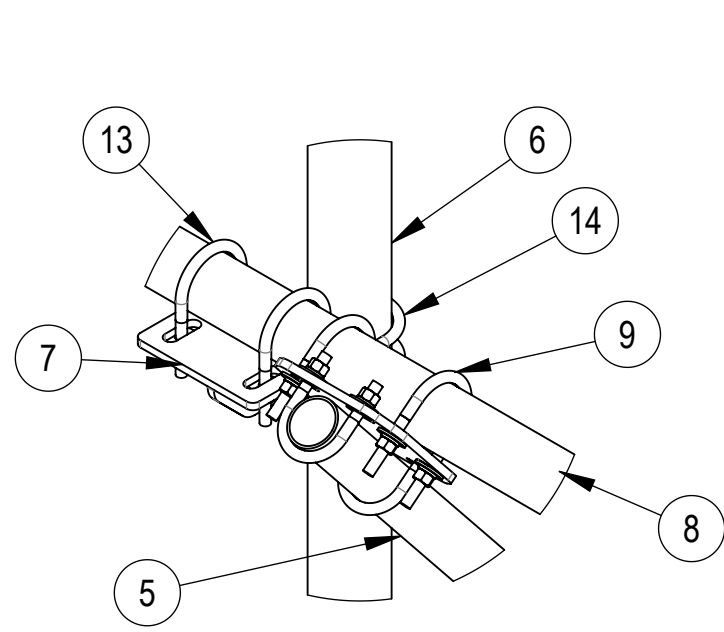
COMMSCOPE, INC. OF NORTH CAROLINA											
TOLERANCES					SAP MATERIAL MASTER						
1 PLACE .X[X] ± .25[6.4]			3 PLACE .XXX[X] ± .06[1.5]		RT-DF12-4-126						
2 PLACE .XX[X] ± .12[0.3]			ANGLES ± 2°								
FINISH					MATERIAL						
UNLESS OTHERWISE SPECIFIED DIMENSIONS ARE IN INCHES INTERPRET PER ANSI Y 14.5M-1994	NAME		DATE		MOUNT, 12' DUAL BALLAST W/4 126" PIPES						
	CE YX1027		04JUN24								
	RW YX1027		06/04/2024		SCALE 1:20		DOCUMENT NO. RT-DF12-4-126				
	AD YMENG		06/07/2024								
	RE YMENG		06/11/2024		ECN 40197219CMO						
SIZE		Auth Group INSL		MODEL						DRAWING	
C				VERSION		STATUS		REVISION			
				07		RE		D		00	
HEIGHT		150.5"		LENGTH		150.0"		WIDTH		94.1"	
DENSITY		1915.32		MASS		6796.7		VOLUME		64350.1	
SURFACE AREA		64350.1		DENSITY		1915.32		MASS		6796.7	

4

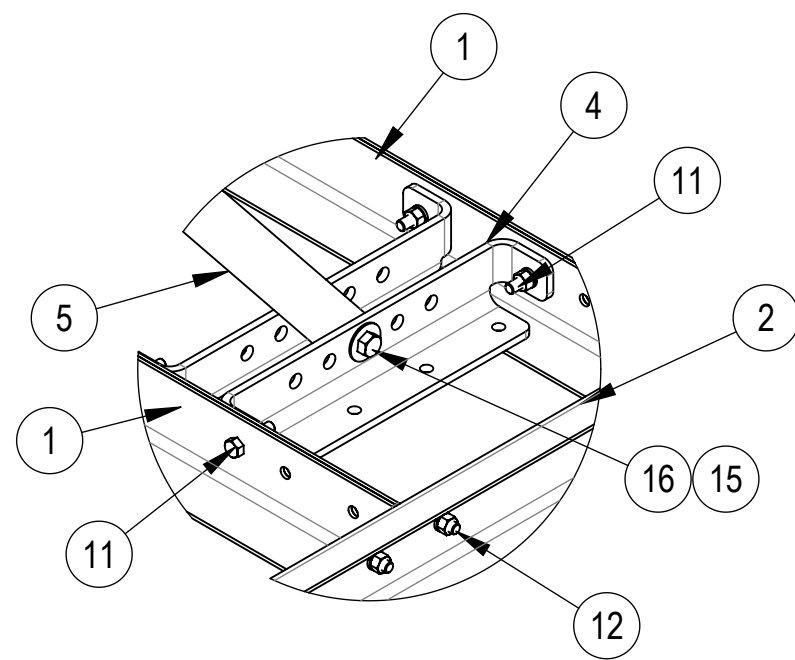
3

2

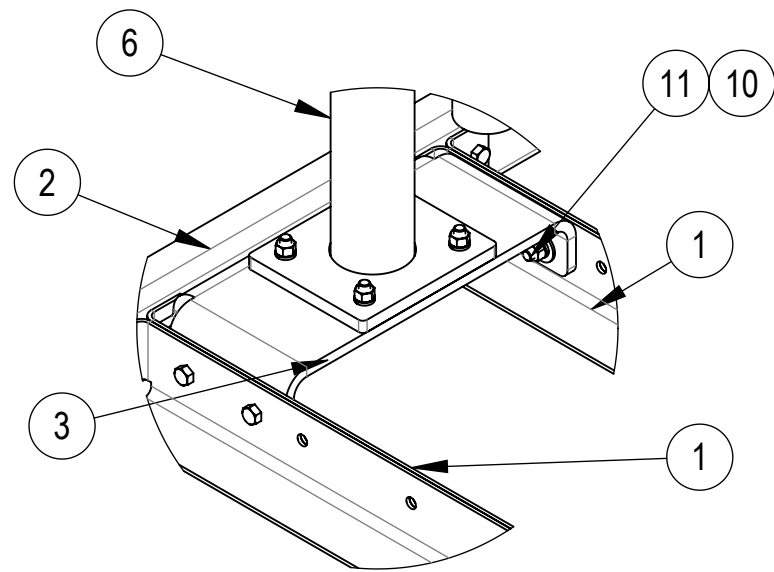
1



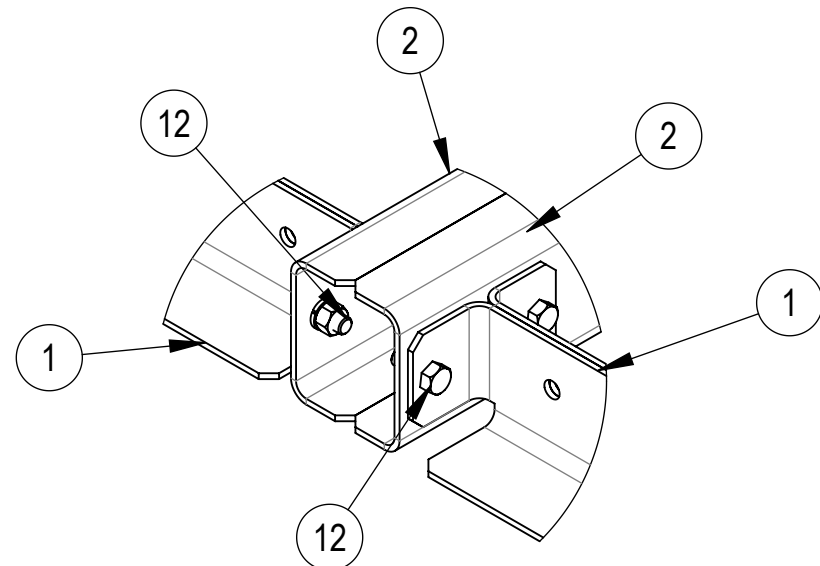
DETAIL A
SCALE 1 : 8



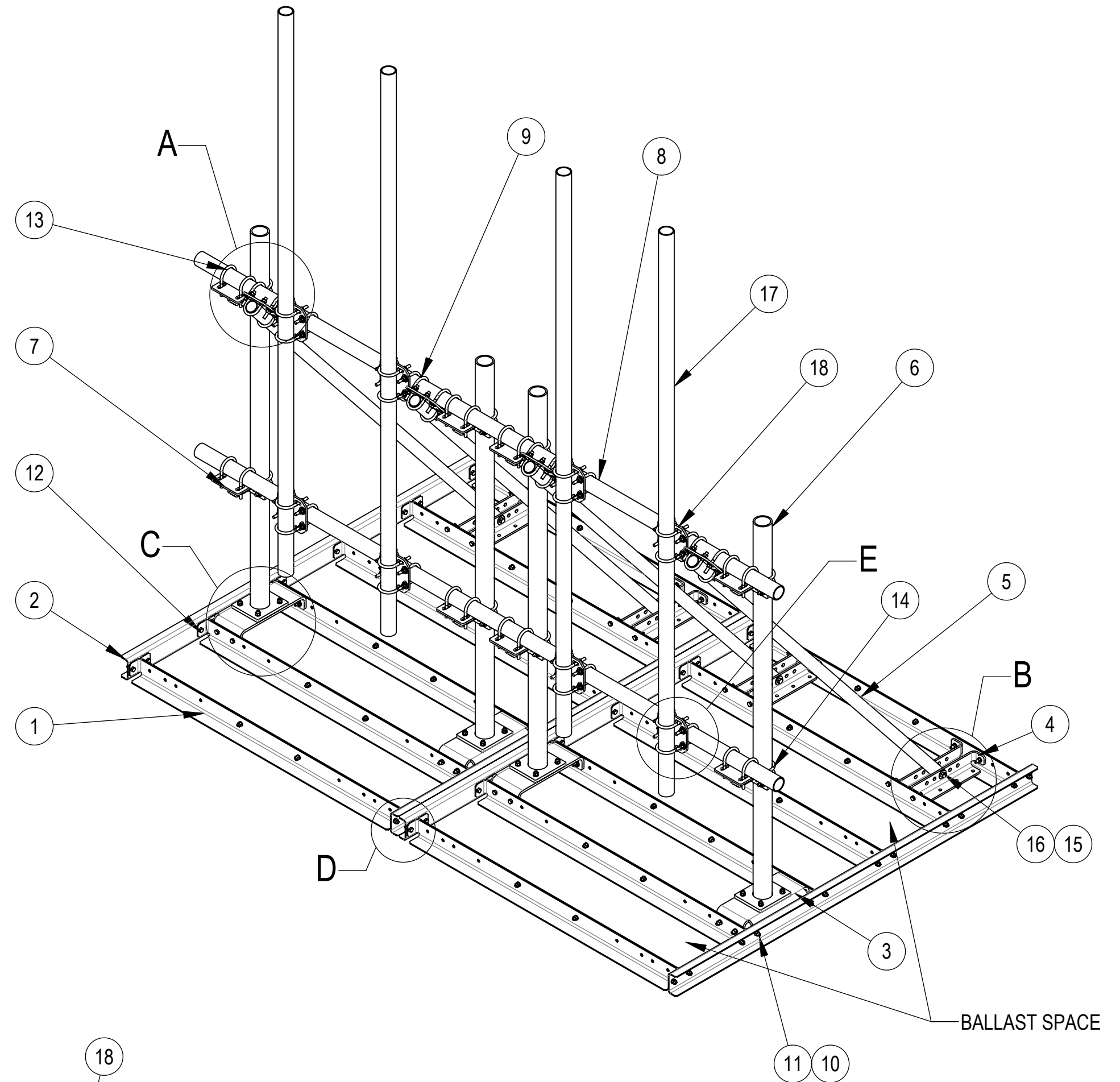
DETAIL B
SCALE 1 : 8



DETAIL C
SCALE 1 : 8

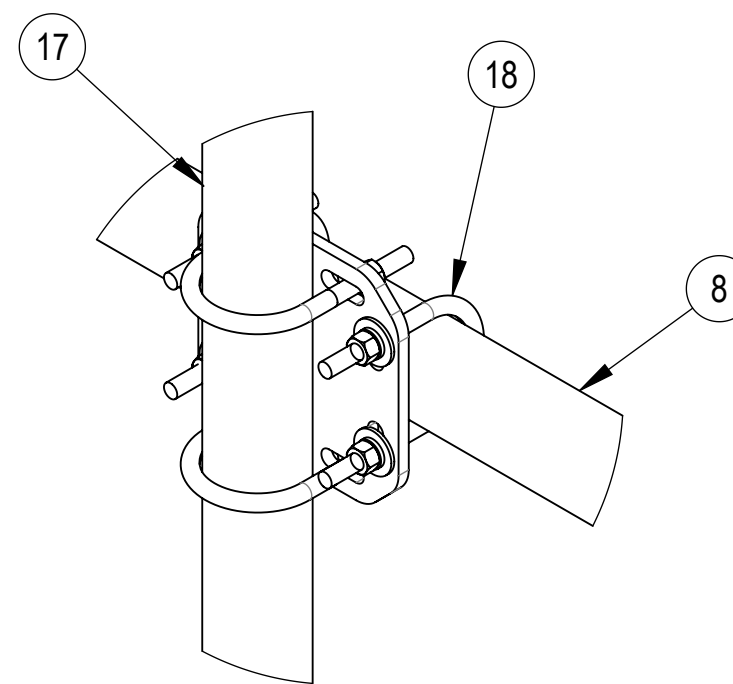


DETAIL D
SCALE 1 : 5



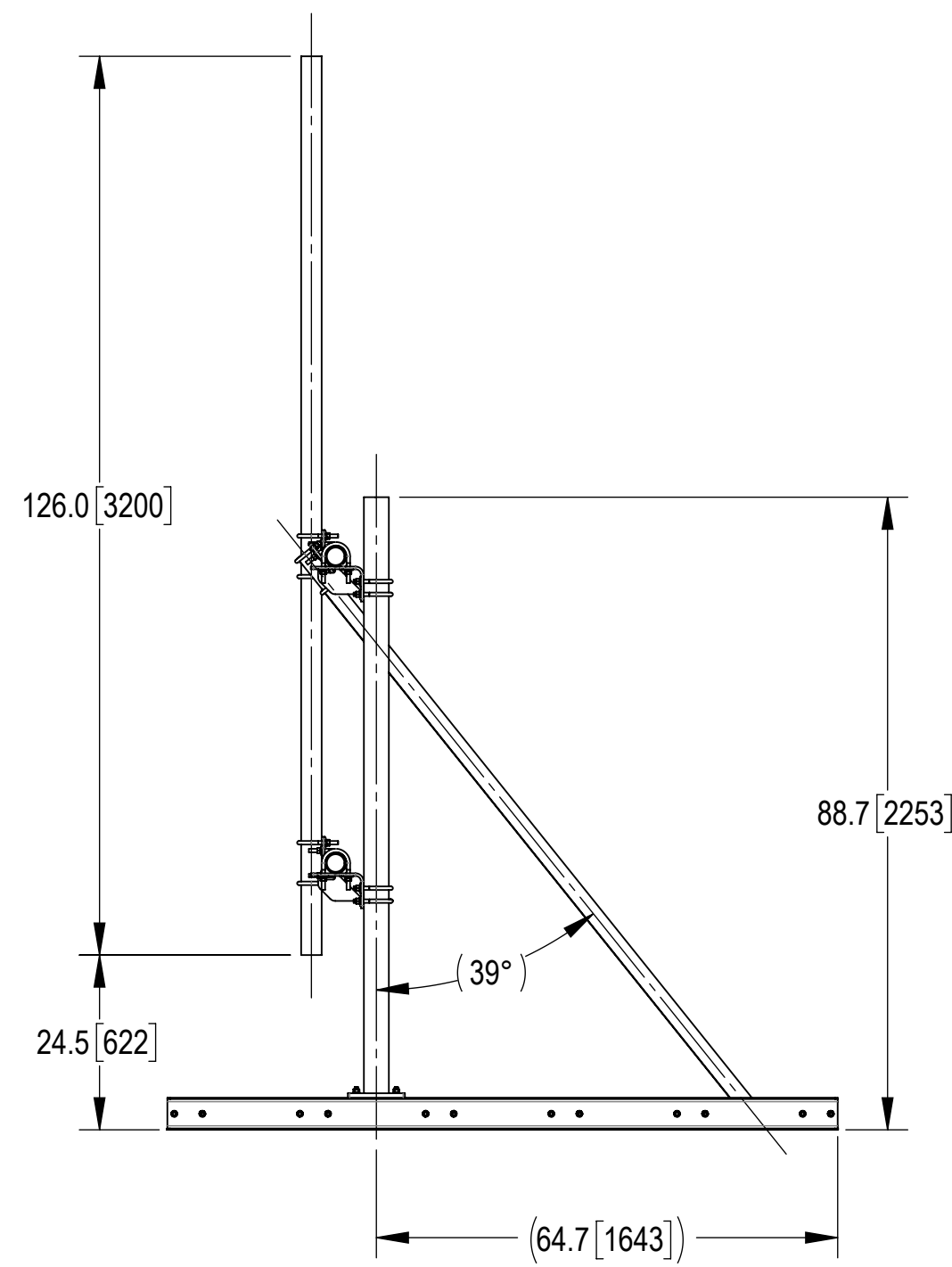
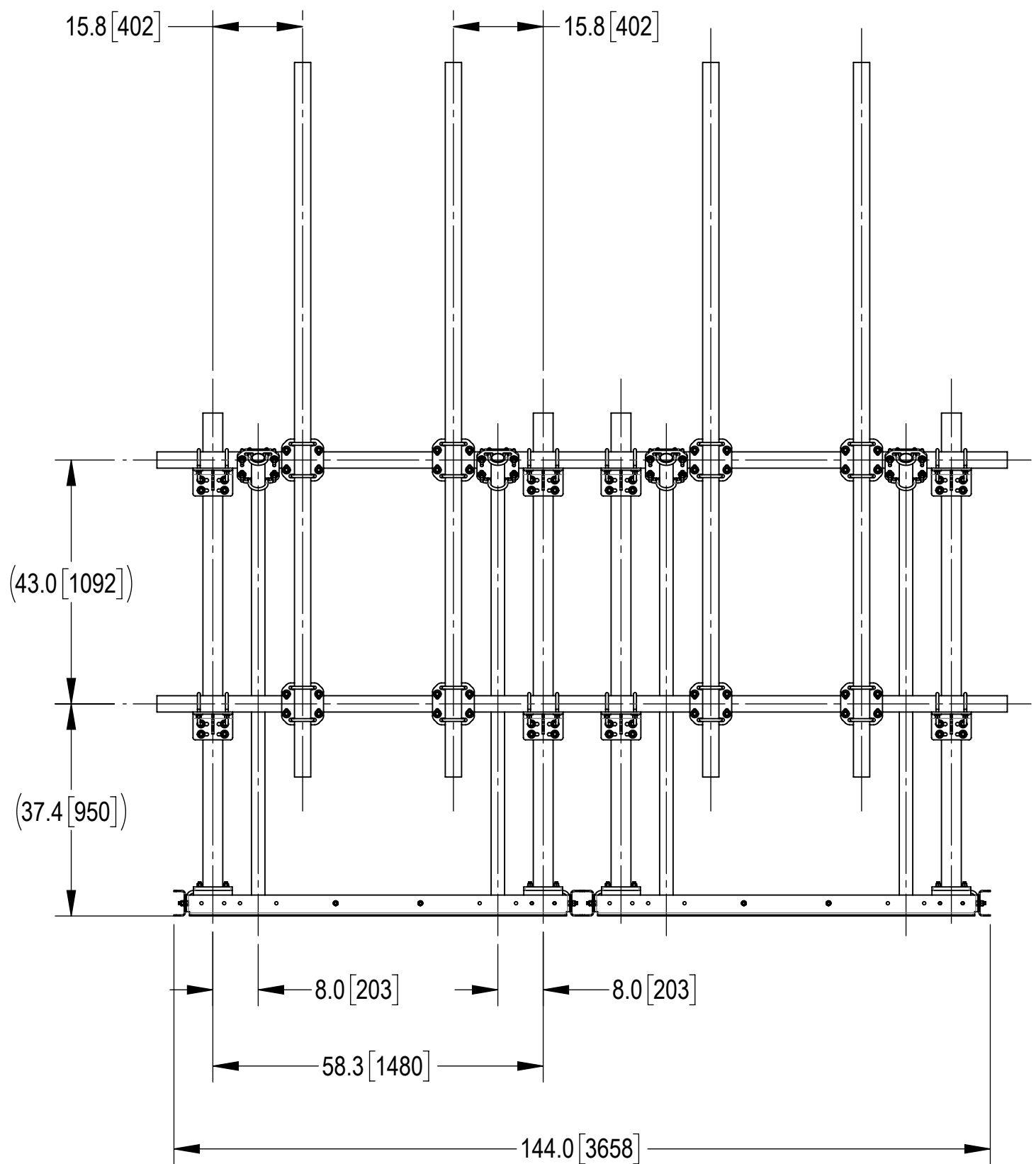
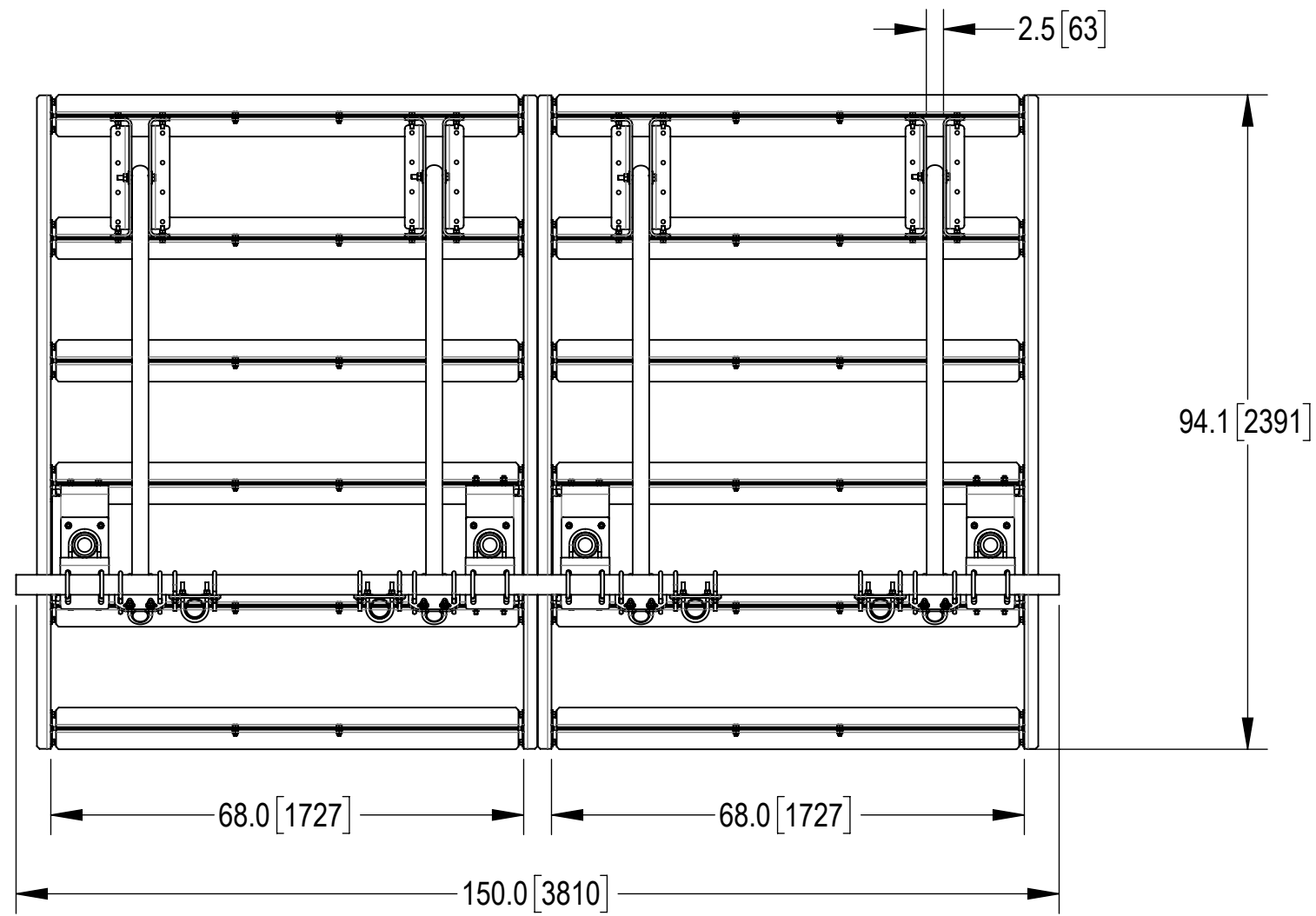
COMPONENT PART NUMBERS PROVIDED FOR ASSEMBLY PURPOSES;
INDIVIDUAL COMPONENTS MAY BE SHIPPED AS PARTS WITHIN AN INCLUDED KIT.

ITEM	PART NO.	DESCRIPTION	QTY.	WEIGHT	NOTE NO.
1	RTNF101	ANGLE, ROOF TOP TRAY	24	22.9 LBS	
2	RTNF102	CHANNEL, ROOF TOP TRAY SIDE	4	38.2 LBS	
3	RTNF103	BRACKET, ROOF TOP VERTICLE PIPE MTG	4	27.9 LBS	
4	RTNF107	BRACKET, ROOF TOP TIEBACK	8	9.4 LBS	
5	RTNF108	PIPE, ROOF TOP TIEBACK	4	24.4 LBS	
6	RTNF110	WELDMENT, ROOF TOP VERTICLE PIPE	4	79.0 LBS	
7	RTNF114	WELDMENT, FACE PIPE L BRACKET	8	9.0 LBS	
8	MT-546-150	PIPE, 2.875"OD X 150"	2	72.67 LBS	
9	XP-2025	CROSSOVER PLATE KIT, 2-3/8 OD X 2-7/8 OD	4	8.07 LBS	
10	GWF-04	1/2" GALV FLAT WASHER	24	0.04 LBS	
11	GB-04205	1/2" X 2" GALV BOLT KIT	56	0.16 LBS	
12	GB-04125	1/2" X 1-1/4" GALV BOLT KIT	64	0.12 LBS	
13	GUB-4352	1/2" X 3" X 5-1/4" GALV U-BOLT	16	0.7 LBS	
14	GUB-4355	1/2" X 3-5/8" X 5" GALV U-BOLT	16	0.7 LBS	
15	GWF-05	5/8" GALV FLAT WASHER, 1.7OD	8	0.06 LBS	
16	GB-05505	5/8" X 5" GALV BOLT KIT	4	0.52 LBS	
17	MT-546-126	PIPE, 2.875"OD X 126"	4	61.05 LBS	
18	XP-2525	CROSSOVER PLATE KIT, 2-7/8 OD X 2-7/8 OD	8	8.37 LBS	



DETAIL E
SCALE 1 : 5

COMMScope, INC. OF NORTH CAROLINA				
TITLE MOUNT, 12' DUAL BALLAST W/4 126" PIPES				
SIZE C	SCALE 1:20	DOCUMENT NO. RT-DF12-4-126		
DRAWING		VERSION	STATUS	REVISION
		00	RE	A
				SHEET 2 OF 3



COMMSCOPE, INC. OF NORTH CAROLINA				
TITLE MOUNT, 12' DUAL BALLAST W/4 126" PIPES				
SIZE C	SCALE 1:20	DOCUMENT NO. RT-DF12-4-126		
DRAWING		VERSION	STATUS	REVISION
		00	RE	A
				SHEET 3 OF 3

© 2024 CommScope, Inc. Confidential